

CATALOGUE

Norde

OUR HERITAGE

One's personal style is a mirror of life, and the charm of living spaces follows the same rule.

We see each finely crafted item as an adventure into innovative and enduring design. Every creation unfolds with distinctive design elements, uniting captivating hues, genuine materials, and pleasing forms.

Step into the exclusive realm of Norde, where we craft boutique and luxurious furniture for design enthusiasts. Our dedication to craftsmanship seamlessly intertwines, offering a privileged experience for those who appreciate unique and exceptional pieces. Welcome to Norde's world of distinction and elegance.

Norde Design Team

TRADITION MEETS INNOVATION
TO CREATE NEW INSPIRATION





Index

07	SOFAS	322	POUFS
74	ARMCHAIRS	337	BEDS
123	COFFEE TABLES	366	MIRRORS
212	CHAIRS	379	CONTRACT
240	TABLES	407	OUTDOOR
268	SIDE BOARDS		



comfort aesthetics, and longevity



Naturality of Norde...
simple choices of modernity & design...





YUI SOFA

TECHNICAL SPECIFICATIONS

Norde

Designed by
Gülsah Soylover

INTERIOR STRUCTURE BEECH HARDWOOD FRAME AND ZIGZAG BOW

SEAT CUSHION 35 DNS SOFT FOAM AND FIBER

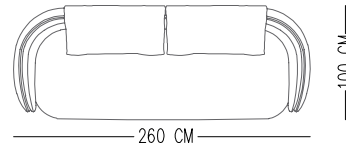
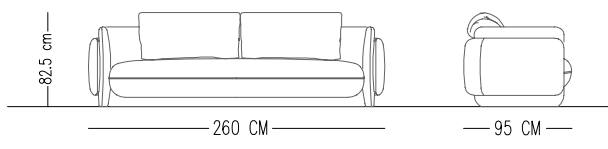
BACK GOOSE DOWN AND FIBER

UPHOLSTERY TIGHT

MAINTENANCE ALL DECORATIVE CUSHIONS ARE GOOSE DOWN AND SILICON MIX, QUANTITY AND DIMENSIONS ARE AS PER TECHNICAL DRAWINGS..STANDART WITH 4 CUSHIONS

We recommend shaking and fluffing-up the cushions regularly to maintain the shape. This should be done after removing the cushions from the structure for improved air circulation. For maintenance of fabric and leather, please contact your retailer.





STANDARDS

<p>SOFA - 230 CM</p>	<p>SOFA - 240 CM</p>	<p>SOFA - 250 CM</p>	<p>SOFA - 260 CM</p>
----------------------	----------------------	----------------------	----------------------

Catalog product-fabric

N-B45/Nubuck



501

Alternative fabric
Linen, Boucle and Linen Teddy

Catalog product-Legs

Hidden leg

Fabric Matrix



Material Catalogue





JUPITER SOFA

Norde

TECHNICAL SPECIFICATIONS

Designed by
Norde Design Studio

INTERIOR STRUCTURE BEECH HARDWOOD FRAME AND ZIGZAG BOW

SEAT CUSHION 35 DNS SOFT FOAM AND FIBER

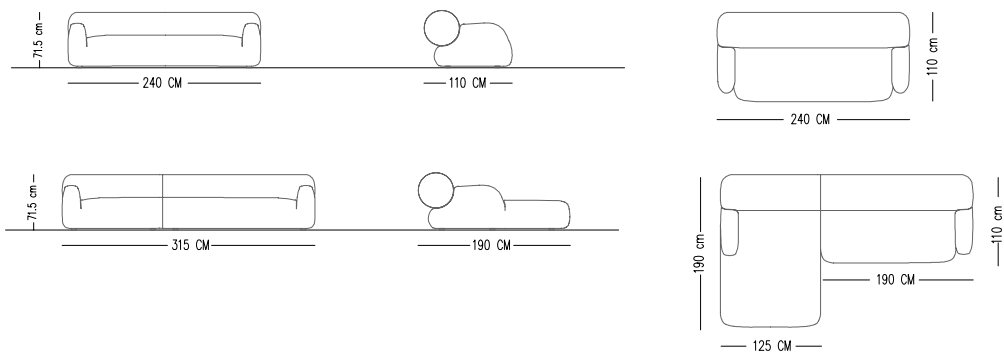
BACK GOOSE DOWN AND FIBER

UPHOLSTERY TIGHT

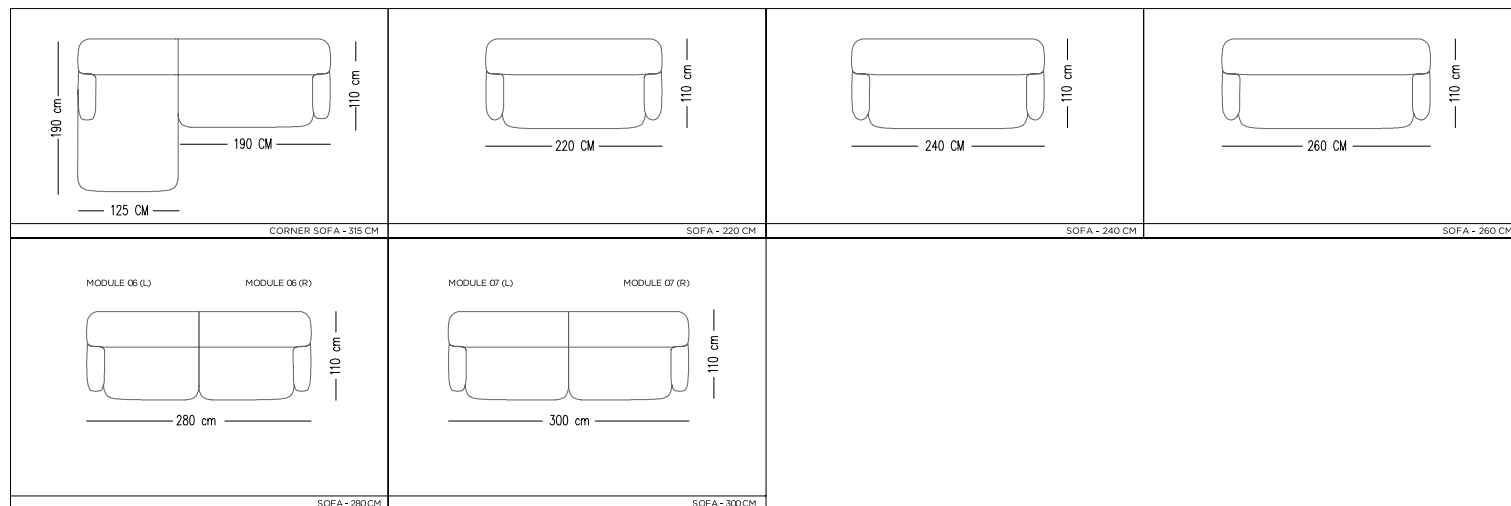
MAINTENANCE ALL DECORATIVE CUSHIONS ARE GOOSE DOWN AND SILICON MIX, QUANTITY AND DIMENSIONS ARE AS PER TECHNICAL DRAWINGS. STANDART WITH 4 CUSHIONS

We recommend shaking and fluffing-up the cushions regularly to maintain the shape. This should be done after removing the cushions from the structure for improved air circulation. For maintenance of fabric and leather, please contact your retailer.

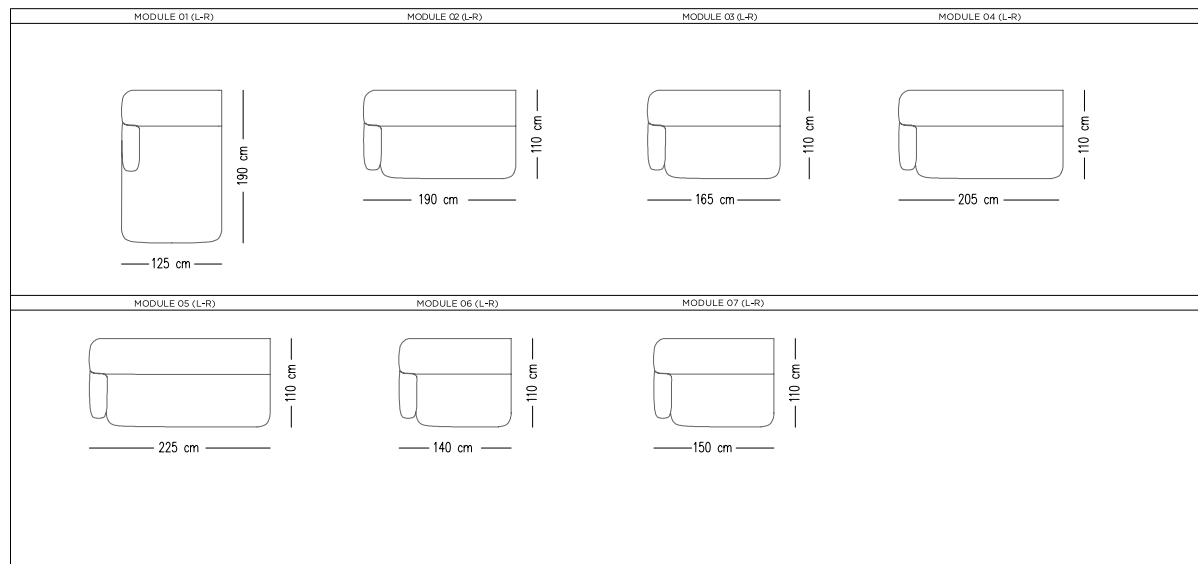




STANDARDS



MODULES



Catalog product-fabric

N-C45/Linen teddy



1048

Alternative fabric
Linen, Boucle, Faux leather and Linen teddy

Catalog product-Legs

Hidden leg

Fabric Matrix



Material Catalogue





VIENTOS SOFA

TECHNICAL SPECIFICATIONS

Norde

Designed by
Nur Benay Baker

INTERIOR STRUCTURE BEECH HARDWOOD FRAME AND ZIGZAG BOW

SEAT CUSHION 35 DNS SOFT FOAM AND FIBER

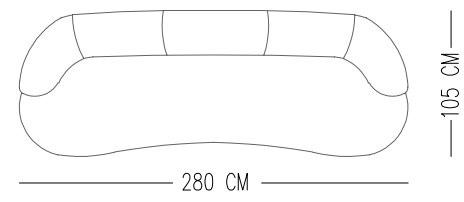
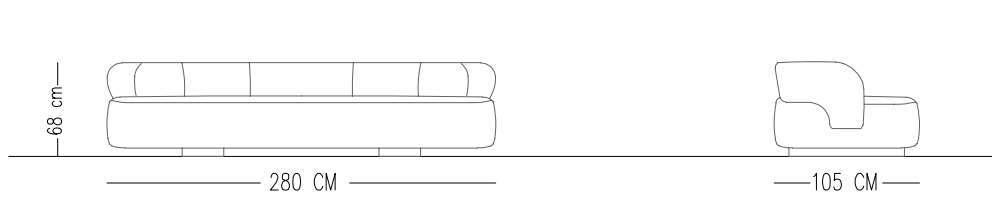
BACK GOOSE DOWN AND FIBER

UPHOLSTERY TIGHT

MAINTENANCE ALL DECORATIVE CUSHIONS ARE GOOSE DOWN AND SILICON MIX, QUANTITY AND DIMENSIONS ARE AS PER TECHNICAL DRAWINGS..STANDART WITH 4 CUSHIONS

We recommend shaking and fluffing-up the cushions regularly to maintain the shape. This should be done after removing the cushions from the structure for improved air circulation. For maintenance of fabric and leather, please contact your retailer.





STANDARDS

<p style="text-align: center;">SOFA - 240 CM</p>	<p style="text-align: center;">SOFA - 260 CM</p>	<p style="text-align: center;">SOFA - 280 CM</p>
--	--	--

Catalog product-fabric

NB-36/Linen Teddy



2002

Alternative fabric
Linen, Boucle, Faux leather

Catalog product-Legs

NB-36/Linen Teddy



2002

Fabric Matrix



Material Catalogue





VIBE SOFA

TECHNICAL SPECIFICATIONS

Norde

Designed by
Samet Bakır

INTERIOR STRUCTURE BEECH HARDWOOD FRAME AND ZIGZAG BOW

SEAT CUSHION 35 DNS SOFT FOAM AND FIBER

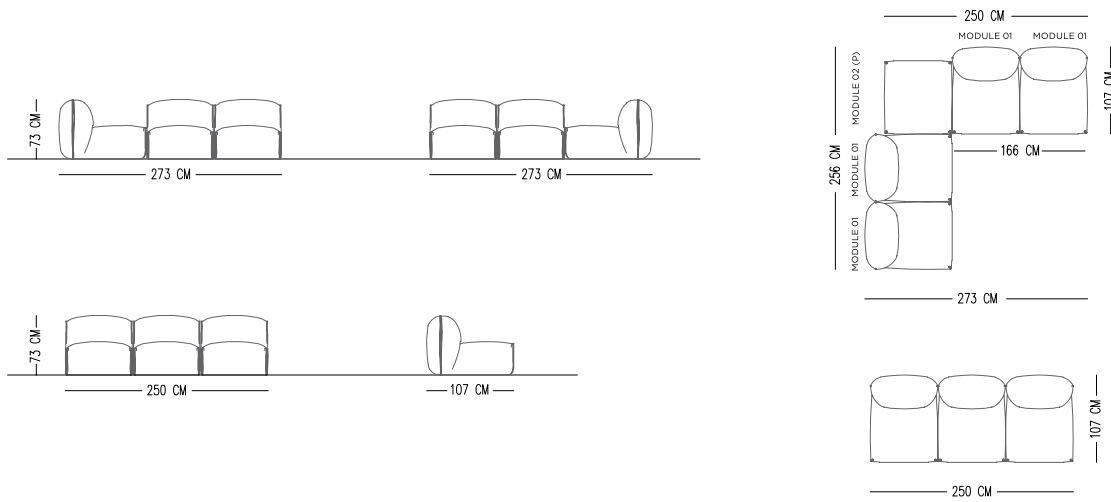
BACK GOOSE DOWN AND FIBER

UPHOLSTERY TIGHT

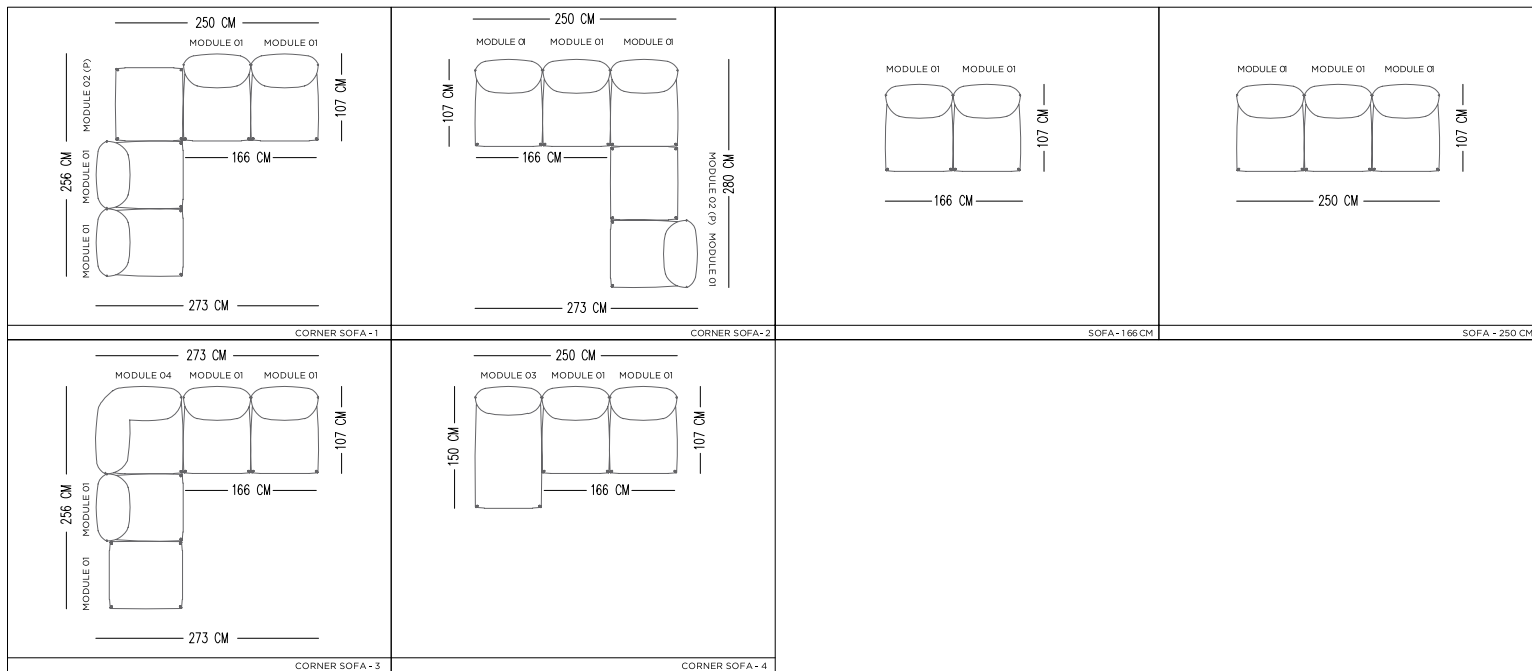
MAINTENANCE ALL DECORATIVE CUSHIONS ARE GOOSE DOWN AND SILICON MIX, QUANTITY AND DIMENSIONS ARE AS PER TECHNICAL DRAWINGS..STANDART WITH 4 CUSHIONS

We recommend shaking and fluffing-up the cushions regularly to maintain the shape. This should be done after removing the cushions from the structure for improved air circulation. For maintenance of fabric and leather, please contact your retailer.

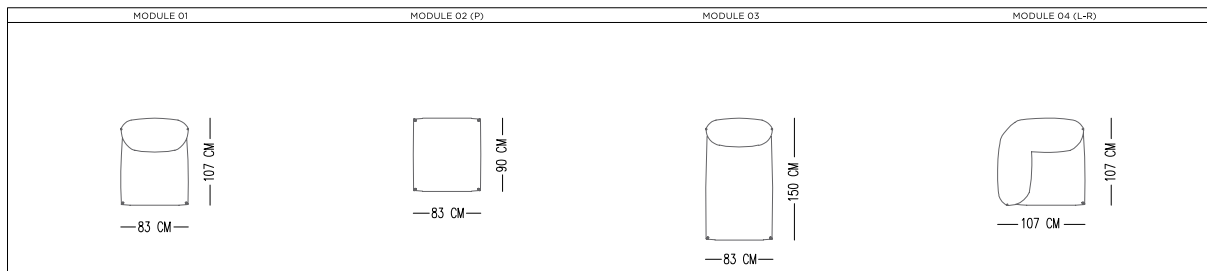




STANDARDS



MODULES



Catalog product-fabric

N-A40/Linen



Nata

Alternative fabric
Linen, Boucle and Linen teddy

Catalog product-Legs

Hidden leg

Fabric Matrix



Material Catalogue





DOMINO SOFA

Norde

TECHNICAL SPECIFICATIONS

Designed by
Norde Design Studio

INTERIOR STRUCTURE BEECH HARDWOOD FRAME AND ZIGZAG BOW

SEAT CUSHION GOOSE DOWN AND FIBER

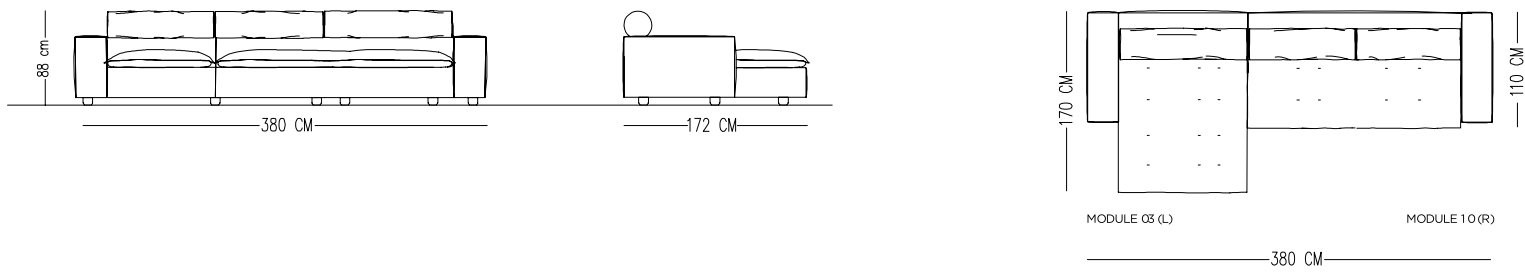
BACK GOOSE DOWN

UPHOLSTERY TIGHT

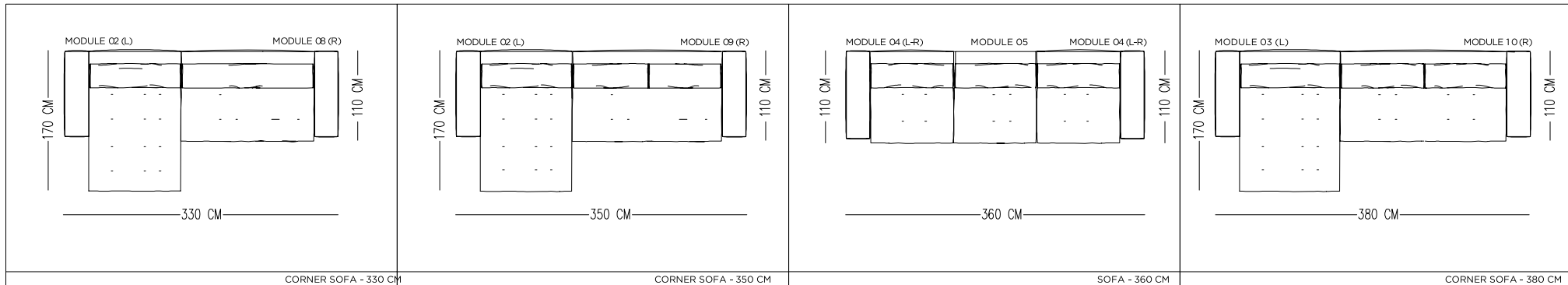
MAINTENANCE ALL DECORATIVE CUSHIONS ARE GOOSE DOWN AND SILICON MIX. QUANTITY AND DIMENSIONS ARE AS PER TECHNICAL.

We recommend shaking and fluffing-up the cushions regularly to maintain the shape. This should be done after removing the cushions from the structure for improved air circulation. For maintenance of fabric and leather, please contact your retailer.

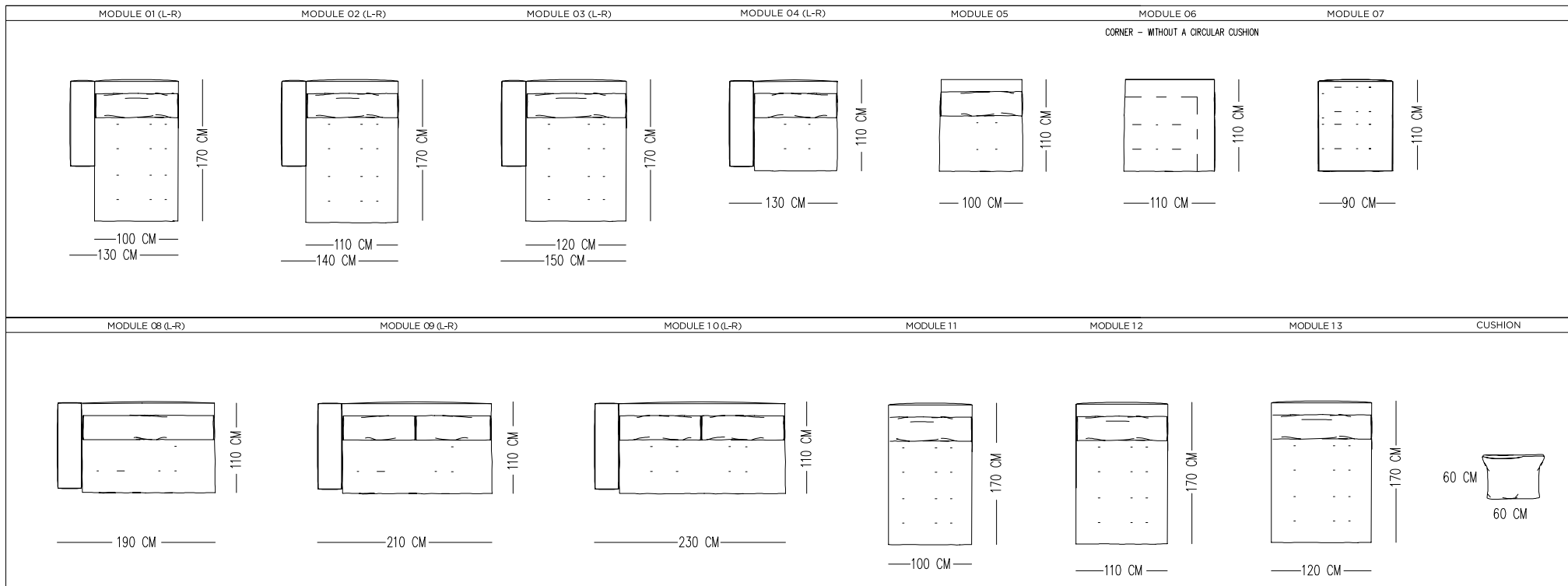




STANDARDS



MODULES



Catalog product-fabric

N-A38/Soft Velvet



15 Frost

Alternative fabric
Linen, Soft velvet and Nubuck

Catalog product-Legs

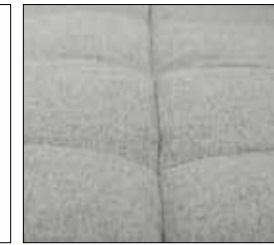
Hidden leg

Fabric Matrix



Material Catalogue





BULUT SOFA

Norde

TECHNICAL SPECIFICATIONS

Designed by
Norde Design Studio

INTERIOR STRUCTURE BEECH WOOD AND MDF STEEL AND MDF WITH ZIGZAG BOW

SEAT CUSHION 35 DNS SOFT FOAM ON PAD GOOSE DOWN

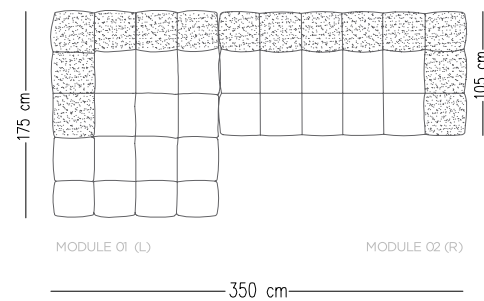
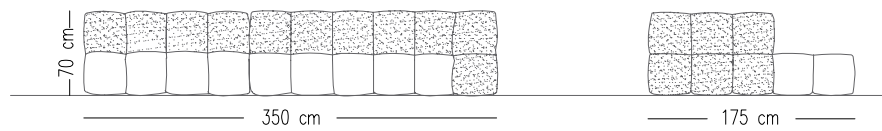
BACK BACK CUSHION 100% DOWN/FEATHERS

UPHOLSTERY LOOSE

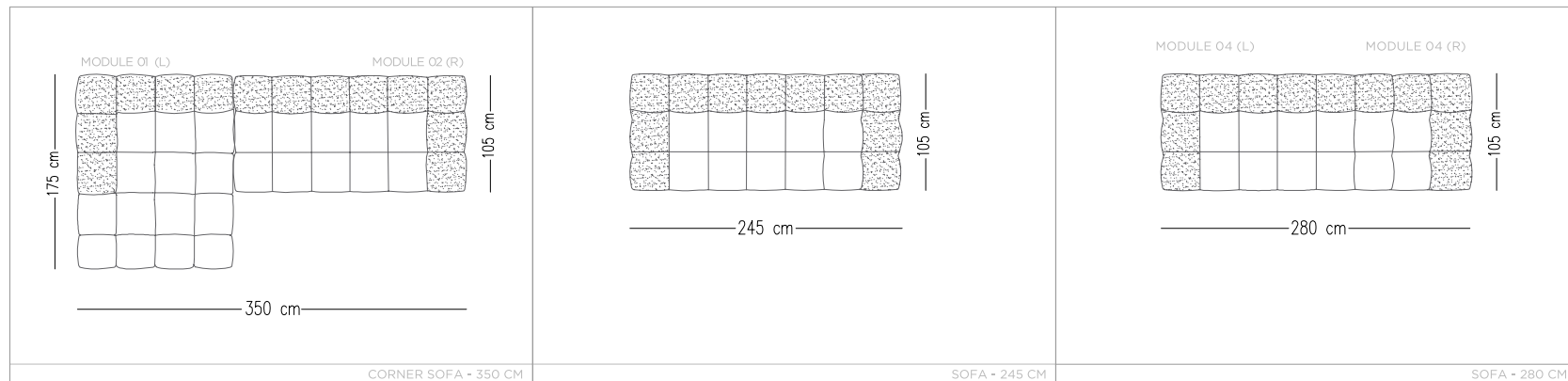
MAINTENANCE ALL DECORATIVE CUSHIONS ARE GOOSE DOWN AND SILICON MIX, QUANTITY AND DIMENSIONS ARE AS PER TECHNICAL DRAWINGS..STANDART WITH 2 CUSHIONS 60*60, 2 CUSHIONS 45*45,1 CUSHIONS 35*55.

We recommend shaking and fluffing-up the cushions regularly to maintain the shape. This should be done after removing the cushions from the structure for improved air circulation. For maintenance of fabric and leather, please contact your retailer.

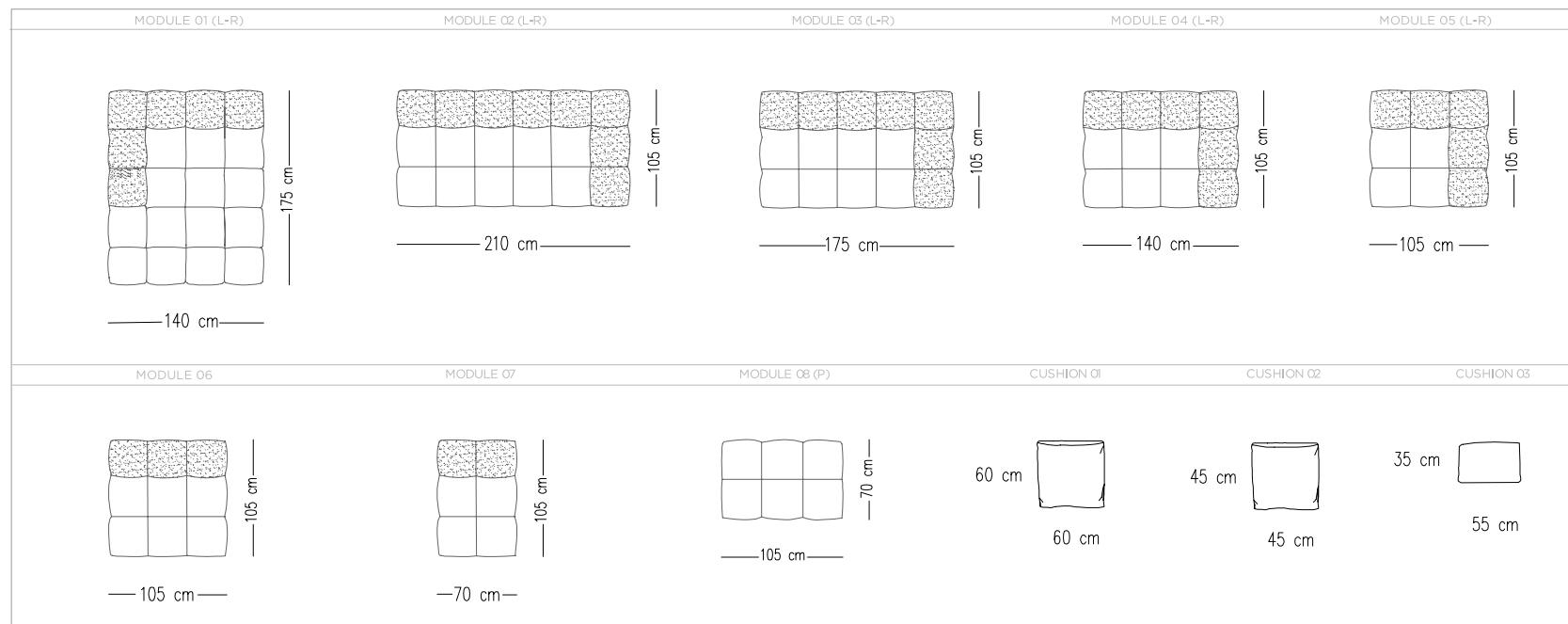




STANDARDS



MODULES



Catalog product-fabric

N-B13/Linen



A.GRI - 01

Alternative fabric
Plush Linen, Suede, Linen and Curl

Catalog product-Legs

Hidden leg

Fabric Matrix



Material Catalogue





MARLON SOFA

TECHNICAL SPECIFICATIONS

Norde

Designed by
Tugce Kurtbogan

INTERIOR STRUCTURE FRAME BEECH CONTRA, STEEL AND ZIGZAG BOW

SEAT CUSHION GOOSE DOWN AND FIBER MIX

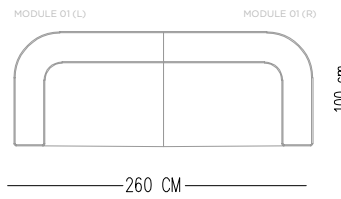
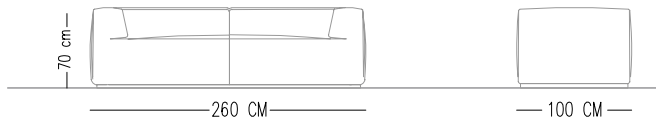
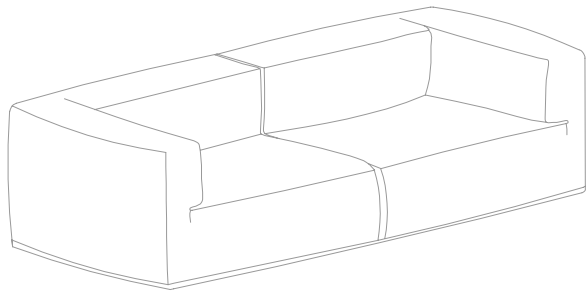
BACK GOOSE DOWN AND FIBER MIX

UPHOLSTERY TIGHT

MAINTENANCE ALL DECORATIVE CUSHIONS ARE GOOSE DOWN AND SILICON MIX. QUANTITY AND DIMENSIONS ARE AS PER TECHNICAL DRAWINGS. STANDART WITH 2 CUSHIONS 50*50.

We recommend shaking and fluffing-up the cushions regularly to maintain the shape. This should be done after removing the cushions from the structure for improved air circulation. For maintenance of fabric and leather, please contact your retailer.





STANDARDS

<p>SOFA - 240 CM</p>	<p>SOFA - 260 CM</p>	<p>SOFA - 280 CM</p>	<p>SOFA - 300 CM</p>
----------------------	----------------------	----------------------	----------------------

MODULES

<p>MODULE 01 (L-R)</p>	<p>MODULE 02 (L-R)</p>	<p>MODULE 03 (L-R)</p>
------------------------	------------------------	------------------------

Catalog product-fabric

N-C19/Linen



21556-03

Catalog product-Legs

Hidden Wooden base and leg

Fabric Matrix



Material Catalogue



Alternative fabric
Linen, Boucle and Nubuck



ITALS SOFA

Norde

TECHNICAL SPECIFICATIONS

Designed by
Norde Design Studio

INTERIOR STRUCTURE BEECH HARDWOOD FRAME AND ELASTIC COLUMN

SEAT CUSHION GOOSE DOWN AND FIBER MIX

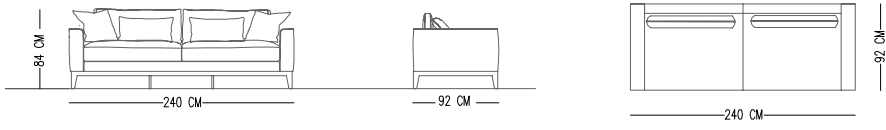
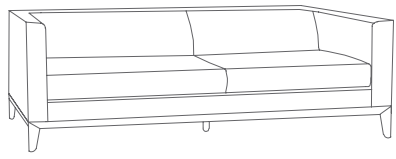
BACK GOOSE DOWN AND FIBER MIX

UPHOLSTERY TIGHT

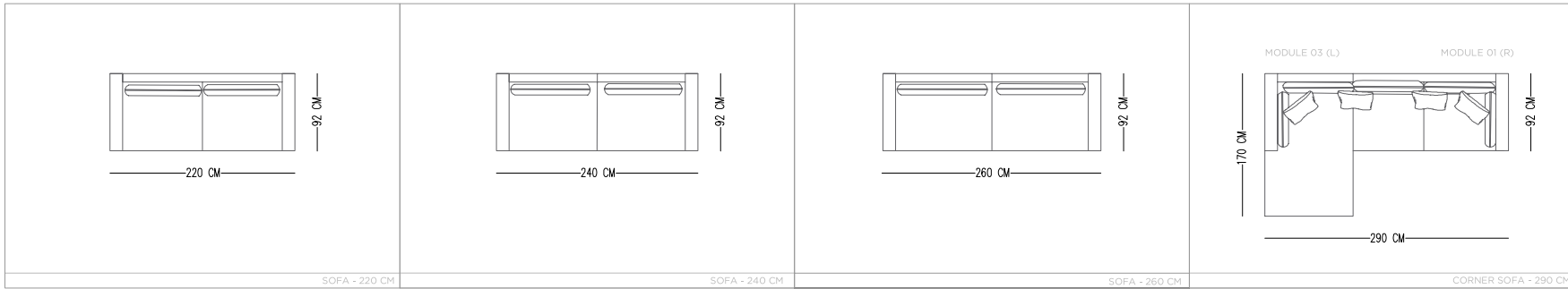
MAINTENANCE ALL DECORATIVE CUSHIONS ARE GOOSE DOWN AND SILICON MIX, QUANTITY AND DIMENSIONS ARE AS PER TECHNICAL DRAWINGS. STANDART WITH 3 CUSHIONS 25*55. 1 CUSHIONS 45*45

We recommend shaking and fluffing-up the cushions regularly to maintain the shape. This should be done after removing the cushions from the structure for improved air circulation. For maintenance of fabric and leather, please contact your retailer.

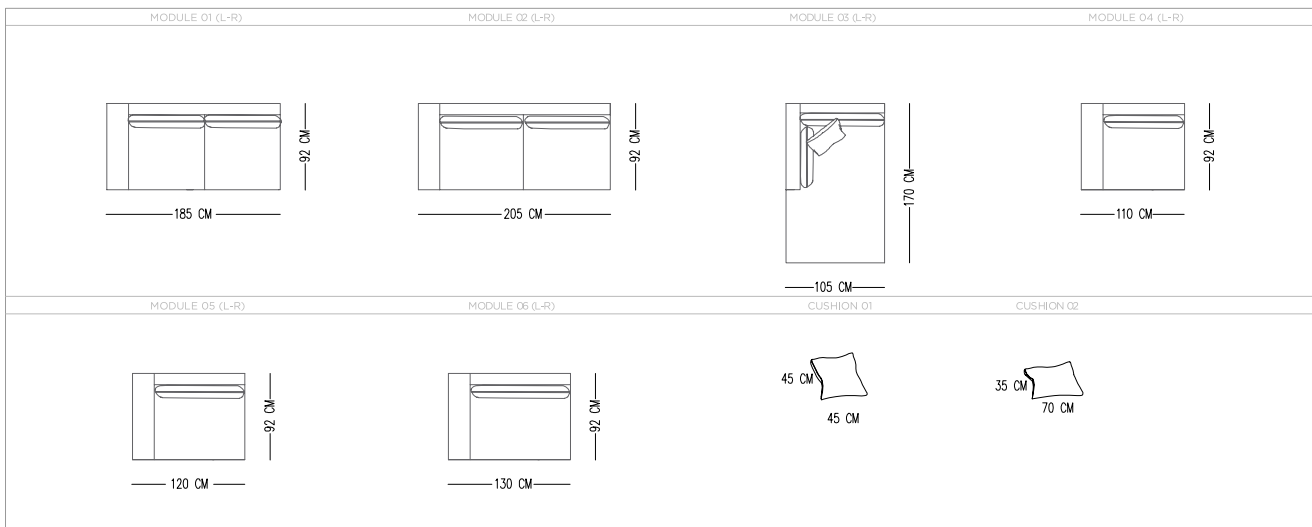




STANDARDS



MODULES



Catalog product-fabric

N-B13/Linen



KREM-01

Alternative fabric
Linen and Boucle

Catalog product-Legs

Wooden walnut polish



Fabric Matrix



Material Catalogue





NIRVANA SOFA

Norde

TECHNICAL SPECIFICATIONS

Designed by
Norde Design Studio

INTERIOR STRUCTURE FRAME BEECH CONTRA AND ELASTIC COLUMN

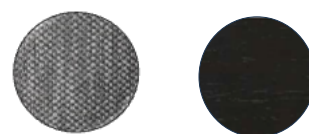
SEAT CUSHION 35 DNS SOFT FOAM

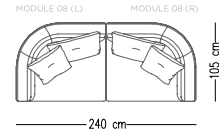
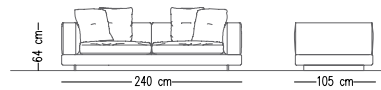
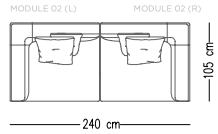
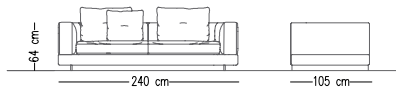
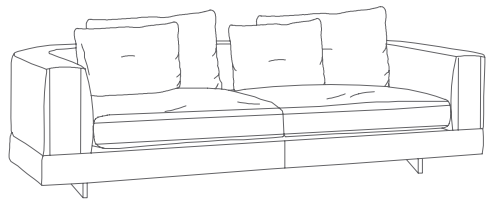
BACK 22 DNS GREY FOAM

UPHOLSTERY TIGHT

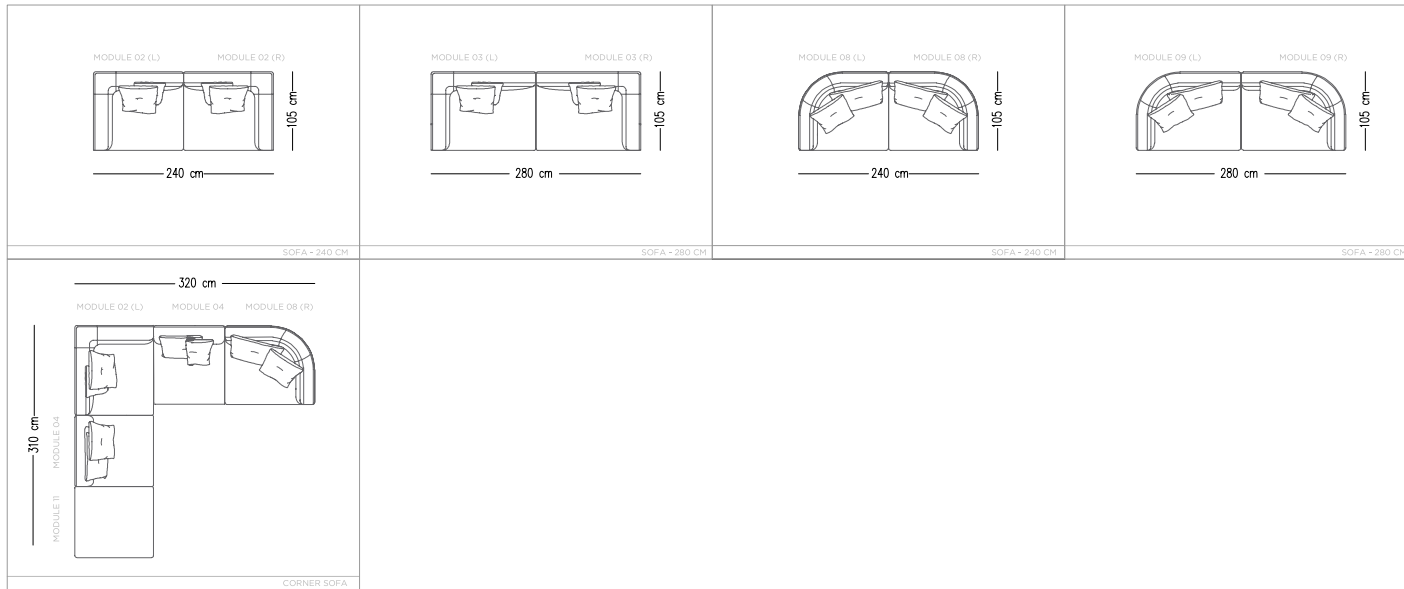
MAINTENANCE ALL DECORATIVE CUSHIONS ARE GOOSE DOWN AND SILICON MIX, QUANTITY AND DIMENSIONS ARE AS PER TECHNICAL DRAWINGS. STANDART WITH 4 CUSHIONS 50*50, 5 CUSHIONS 50*70

We recommend shaking and fluffing-up the cushions regularly to maintain the shape. This should be done after removing the cushions from the structure for improved air circulation. For maintenance of fabric and leather, please contact your retailer.

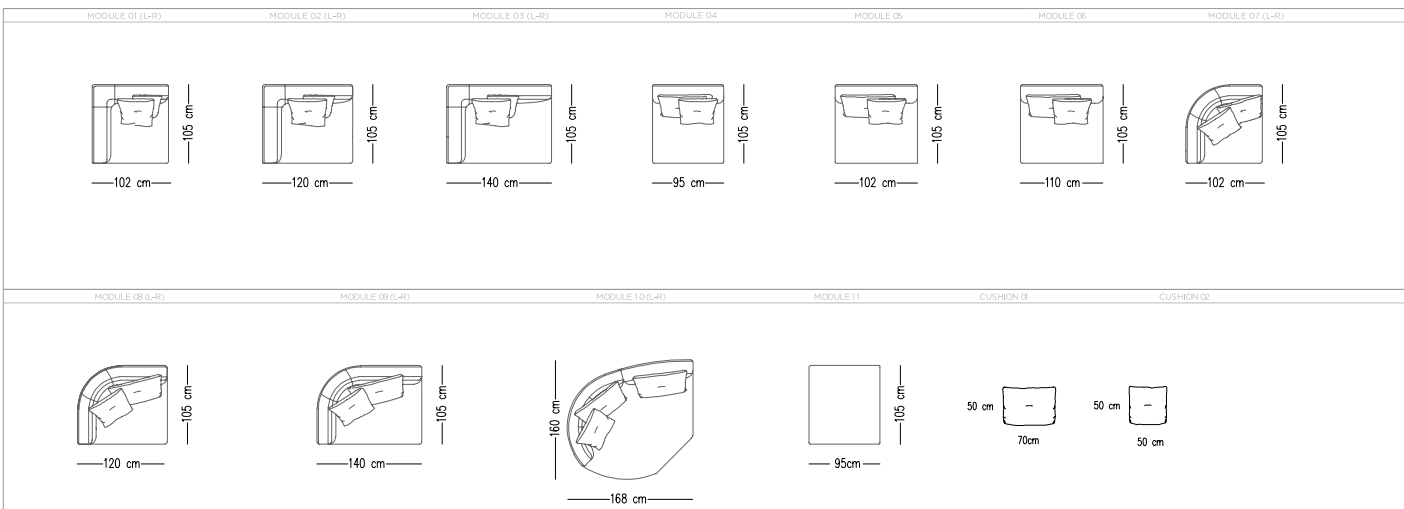




STANDARDS

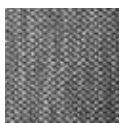


MODULES



Catalog product-fabric

N-C25/Linen



23

Alternative fabric
Linen, Boucle and Chenille

Catalog product-Legs

Wood wenge varnish



Fabric Matrix



Material Catalogue





PORTO SOFA

Norde

TECHNICAL SPECIFICATIONS

Designed by
Norde Design Studio

INTERIOR STRUCTURE FRAME BEECH CONTRA AND ELASTIC COLUMN

SEAT CUSHION 35 DNS SOFT FOAM

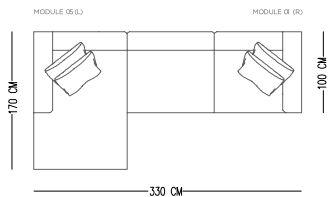
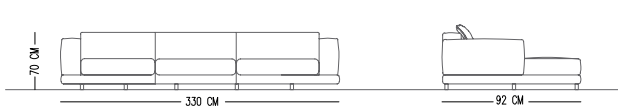
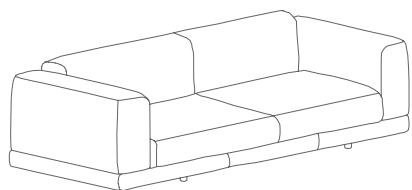
BACK 22 DNS GREY FOAM

UPHOLSTERY TIGHT

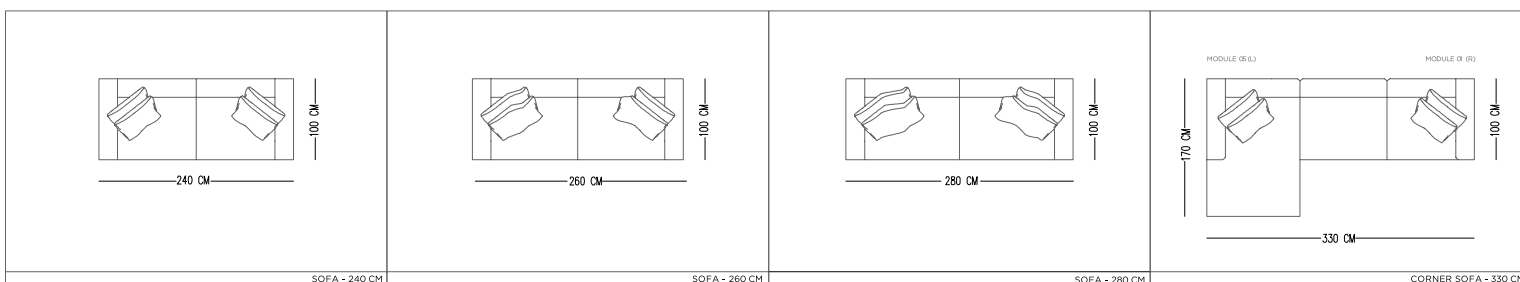
MAINTENANCE ALL DECORATIVE CUSHIONS ARE GOOSE DOWN AND SILICON MIX, QUANTITY AND DIMENSIONS ARE AS PER TECHNICAL DRAWINGS. STANDART WITH 4 CUSHIONS 50*50, 5 CUSHIONS 50*70

We recommend shaking and fluffing-up the cushions regularly to maintain the shape. This should be done after removing the cushions from the structure for improved air circulation. For maintenance of fabric and leather, please contact your retailer.

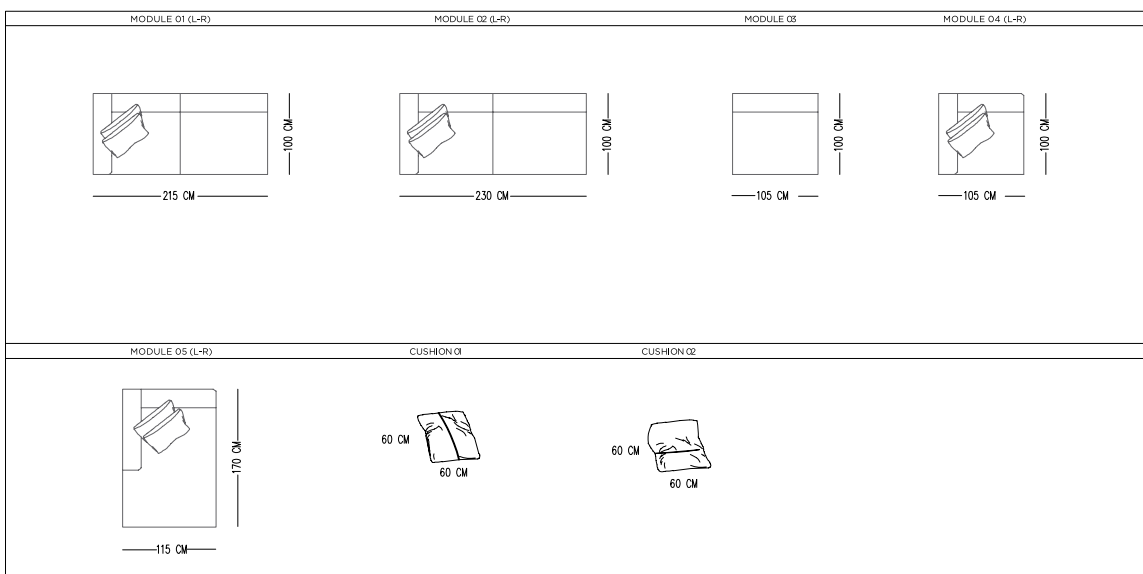




STANDARDS



MODULES



Catalog product-fabric

N-CB33/Linen



10

Alternative fabric
Linen and Boucle

Catalog product-Legs

Wood wenge varnish



Fabric Matrix



Material Catalogue





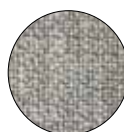
NORA SOFA

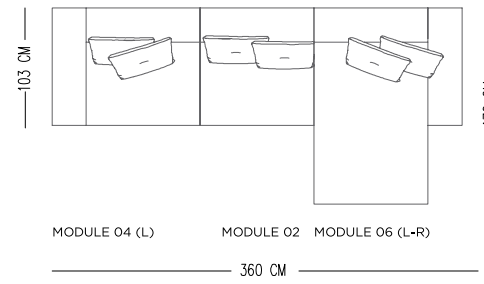
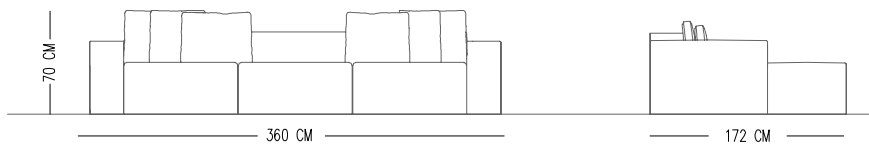
TECHNICAL SPECIFICATIONS

Norde

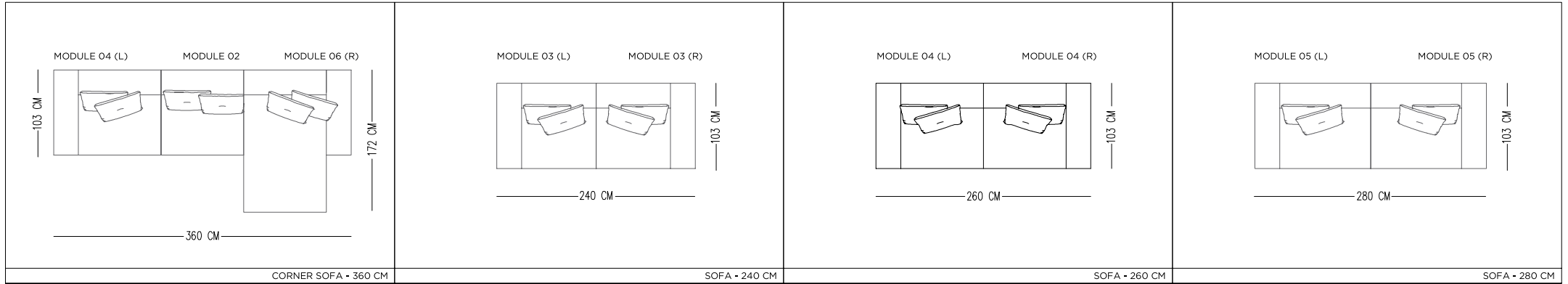
Designed by
Norde Design Studio

INTERIOR STRUCTURE	BEECH WOOD AND STEEL ZIGZAG BOW
SEAT CUSHION	GOOSE DOWN AND FIBER MIX
BACK	GOOSE DOWN AND FIBER MIX
UPHOLSTERY	TIGHT
MAINTENANCE	<p>ALL DECORATIVE CUSHIONS ARE GOOSE DOWN AND SILICON MIX, QUANTITY AND DIMENSIONS ARE AS PER TECHNICAL DRAWINGS.STANDART WITH 6 CUSHIONS 55*55.</p> <p>We recommend shaking and fluffing-up the cushions regularly to maintain the shape. This should be done after removing the cushions from the structure for improved air circulation. For maintenance of fabric and leather, please contact your retailer.</p>

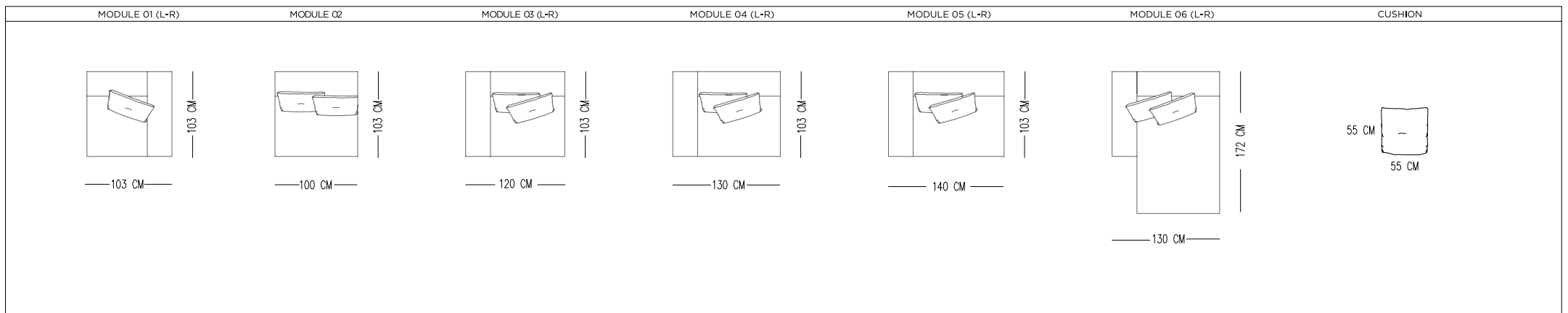




STANDARDS



MODULES



Catalog product-fabric

NB-11/Linen



2103

Alternative fabric
Linen, Boucle and Nubuck

Catalog product-Legs

Hidden Leg

Fabric Matrix



Material Catalogue





RITA SOFA

TECHNICAL SPECIFICATIONS

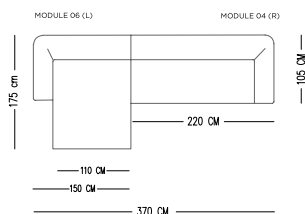
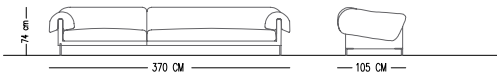
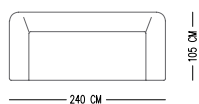
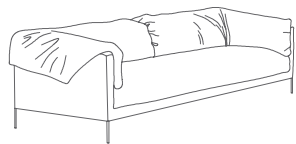
Norde

Designed by
Norde Design Studio

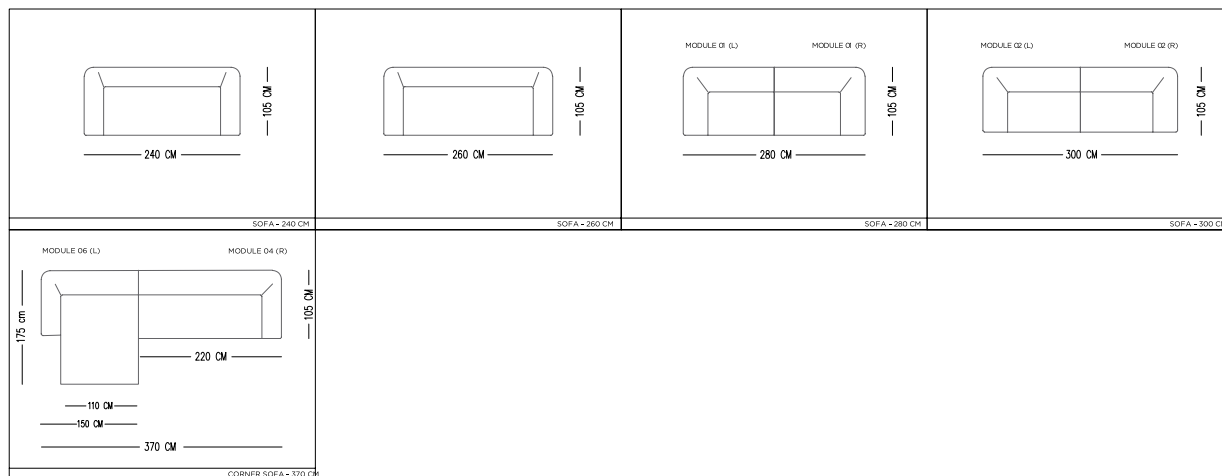
INTERIOR STRUCTURE	BEECH WOOD AND STEEL ZIGZAG BOW
SEAT CUSHION	35 DNS SOFT FOAM AND FIBER
BACK	GOOSE DOWN AND FIBER MIX
UPHOLSTERY	LOOSE
MAINTENANCE	ALL DECORATIVE CUSHIONS ARE GOOSE DOWN AND SILICON MIX, QUANTITY AND DIMENSIONS ARE AS PER TECHNICAL DRAWINGS

We recommend shaking and fluffing-up the cushions regularly to maintain the shape. This should be done after removing the cushions from the structure for improved air circulation. For maintenance of fabric and leather, please contact your retailer.

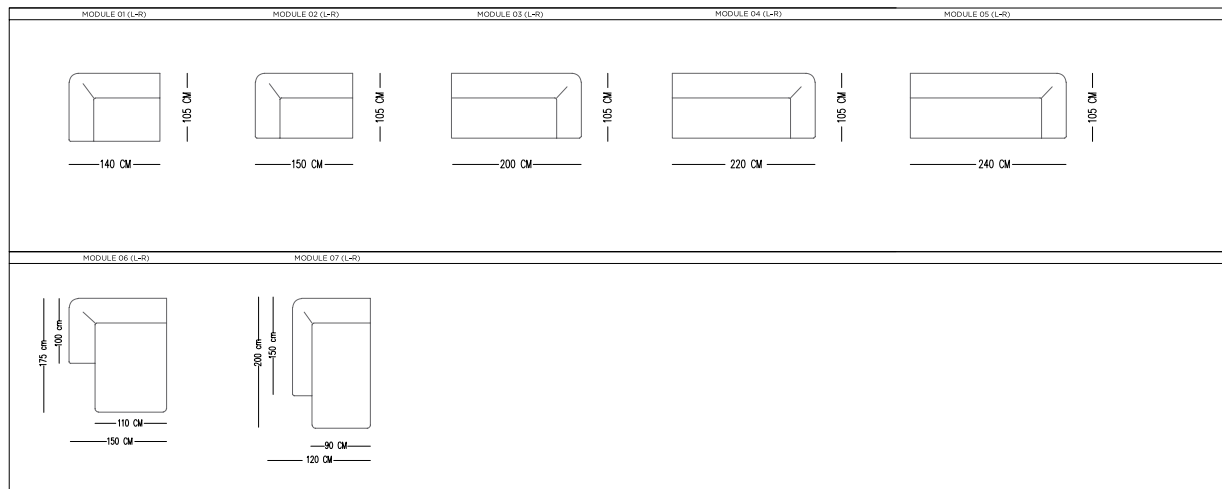




STANDARDS



MODULES



Catalog product-fabric

N-B28/Boucle



12

Alternative fabric
Linen, Boucle and Linen teddy

Catalog product-Legs

Electrostatic Powder Black Paint On Metal



Fabric Matrix



Material Catalogue





ANGE SOFA

Norde

TECHNICAL SPECIFICATIONS

Designed by
Norde Design Studio

INTERIOR STRUCTURE BEECH WOOD AND ELASTIC COLUMN

SEAT CUSHION 35 DNS SOFT FOAM AND FIBER

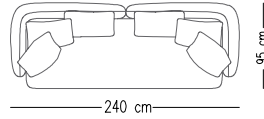
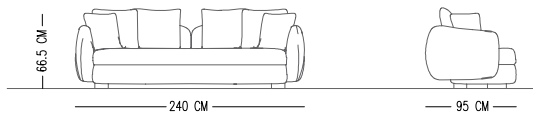
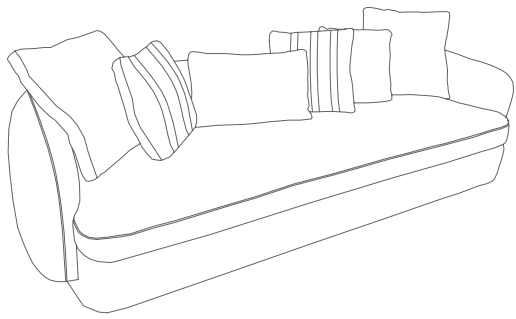
BACK FIBER MIX

UPHOLSTERY TIGHT

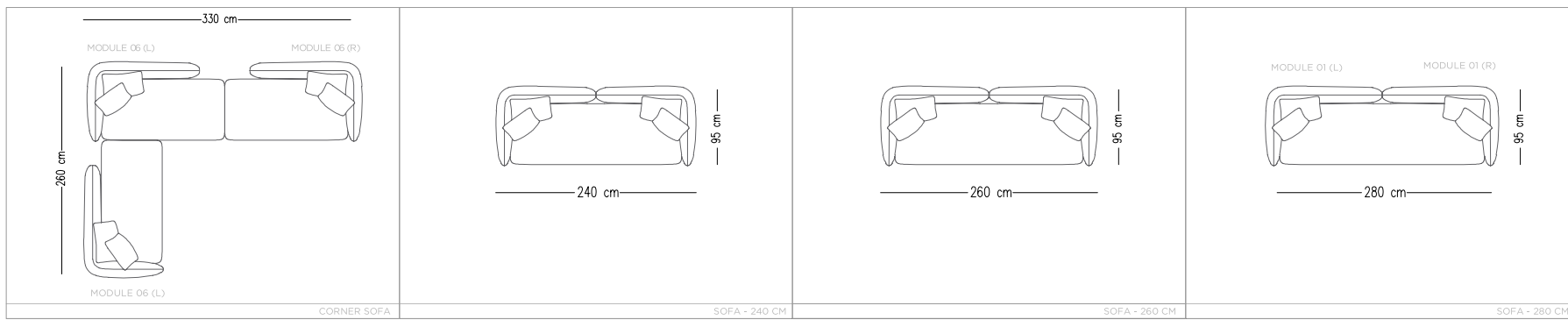
MAINTENANCE ALL DECORATIVE CUSHIONS ARE GOOSE DOWN AND SILICON MIX. QUANTITY AND DIMENSIONS ARE AS PER TECHNICAL DRAWINGS. STANDART WITH 3 CUSHIONS 55*55, 3 CUSHIONS 45*45.

We recommend shaking and fluffing-up the cushions regularly to maintain the shape. This should be done after removing the cushions from the structure for improved air circulation. For maintenance of fabric and leather, please contact your retailer.

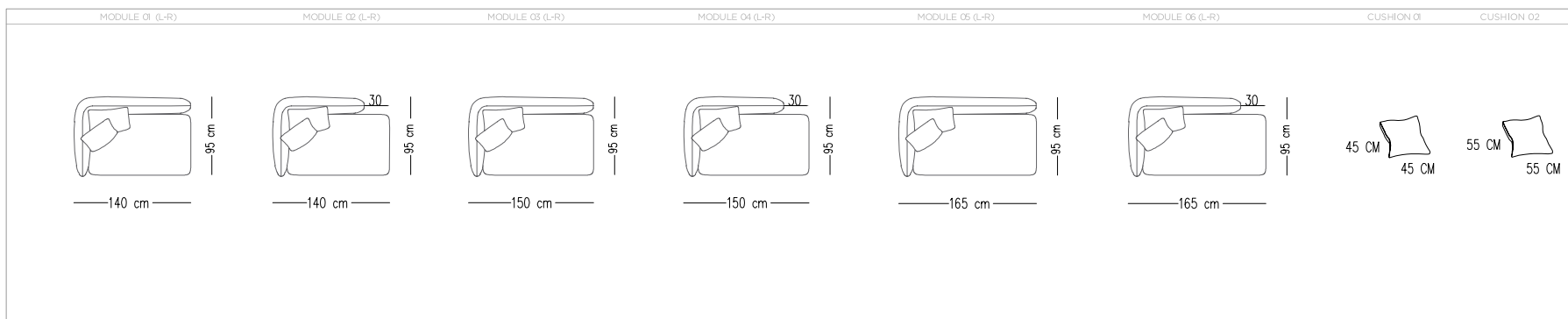




STANDARDS



MODULES



Catalog product-fabric

N-A20/Boucle



DLY 01

Alternative fabric
Linen, Linen teddy, Suede and Boucle

Catalog product-Legs

Black Painted Metal



Fabric Matrix



Material Catalogue





CLEMENTINE SOFA

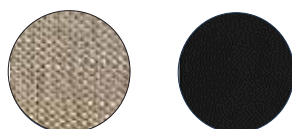
TECHNICAL SPECIFICATIONS

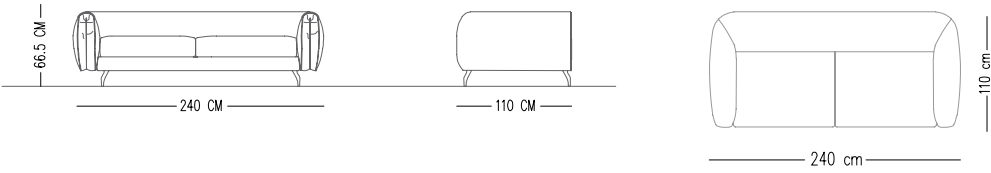
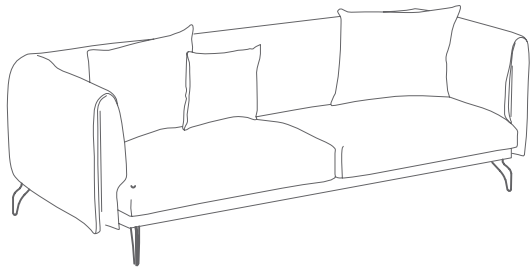
Norde

Designed by
Norde Design Studio

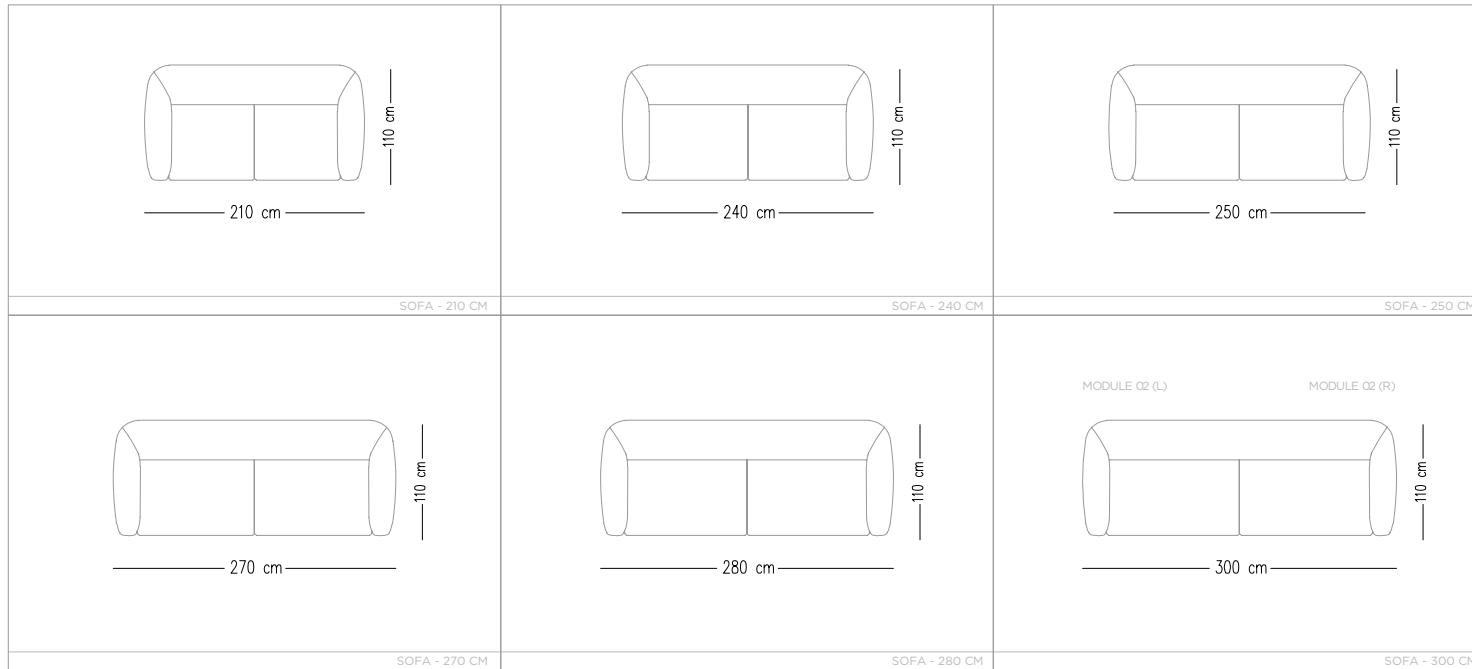
INTERIOR STRUCTURE	SOLID WOOD AND ELASTIC COLUMN
SEAT CUSHION	HIGH RESILIENT FOAM
BACK	GOOSE DOWN & FIBER
UPHOLSTERY	LOOSE
MAINTENANCE	ALL DECORATIVE CUSHIONS ARE %100 GOOSE DOWN, QUANTITY AND DIMENSIONS ARE AS PER TECHNICAL DRAWING

We recommend shaking and fluffing-up the cushions regularly to maintain the shape. This should be done after removing the cushions from the structure for improved air circulation. For maintenance of fabric and leather, please contact your retailer.

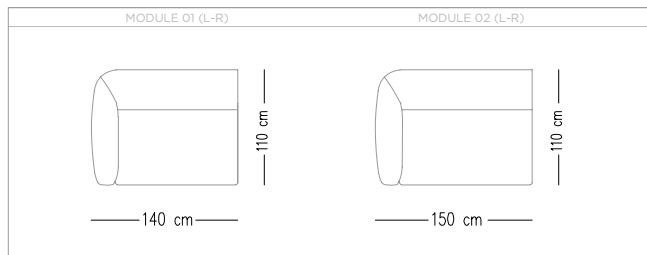




STANDARDS



MODULES



Catalog product-fabric

N-B33/Linen



11

Catalog product-Legs

Black Painted Metal



Fabric Matrix



Material Catalogue



Alternative fabric

Linen, Boucle, Faux leather, Nubuck, and Linen teddy



OLIVER SOFA

TECHNICAL SPECIFICATIONS

Norde

Designed by
Norde Design Studio

INTERIOR STRUCTURE

BEECH HARDWOOD FRAME AND ZIGZAG

SEAT CUSHION

35 DNS SOFT FOAM

BACK

35 DNS SOFT FOAM

LEGS

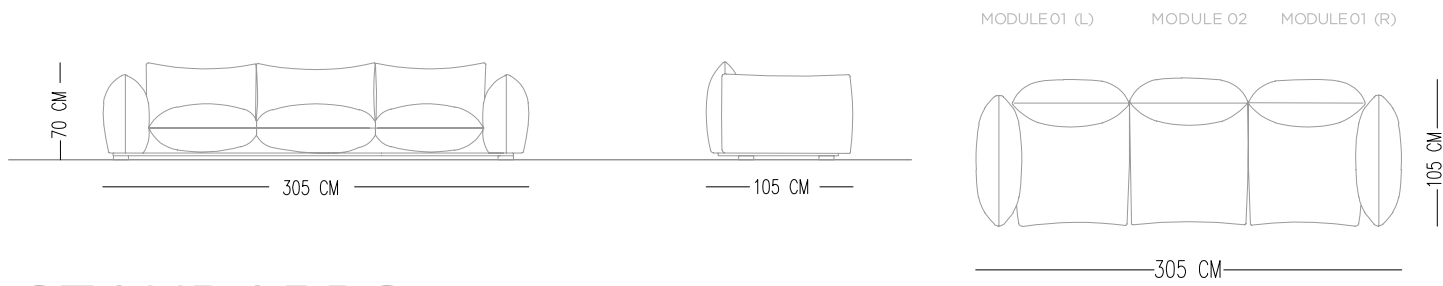
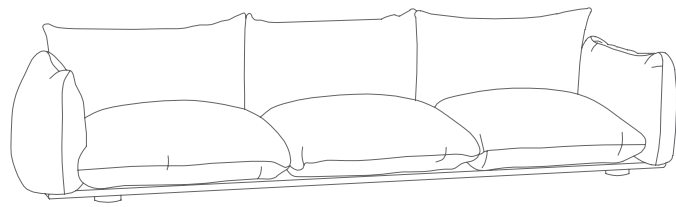
HARDWOOD

MAINTENANCE

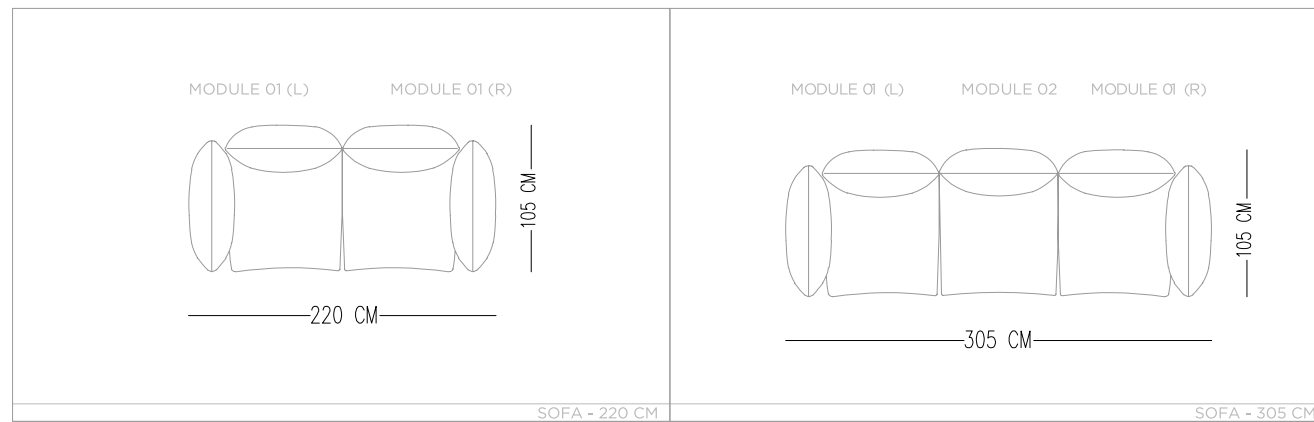
STANDART WITH 0 CUSHIONS

We recommend shaking and fluffing-up the cushions regularly to maintain the shape. This should be done after removing the cushions from the structure for improved air circulation. For maintenance of fabric and leather, please contact your retailer

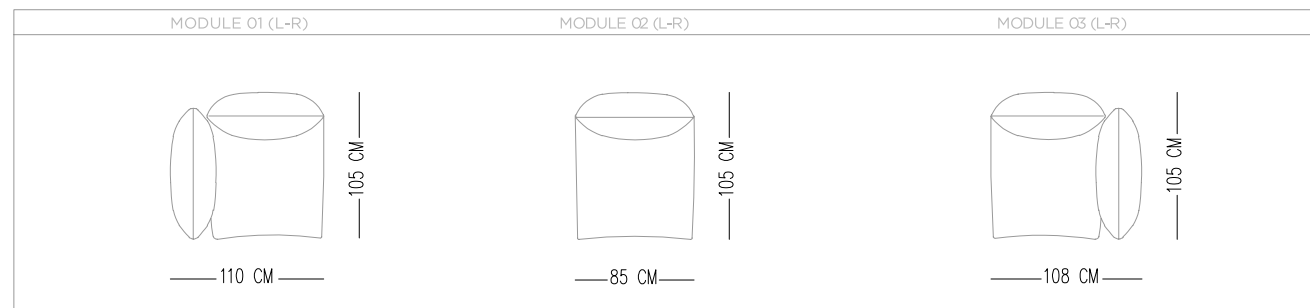




STANDARDS



MODULES



Catalog product-fabric

N-C21/Velvet



1007

Alternative fabric
Linen and Boucle

Catalog product-Legs

Hidden Leg

Fabric Matrix



Material Catalogue





SOMET SOFA

TECHNICAL SPECIFICATIONS

Norde

Designed by
Samet Baker

INTERIOR STRUCTURE BEECH HARDWOOD FRAME AND STEEL ZIGZAG BOW

SEAT CUSHION 35 DNS SOFT FOAM

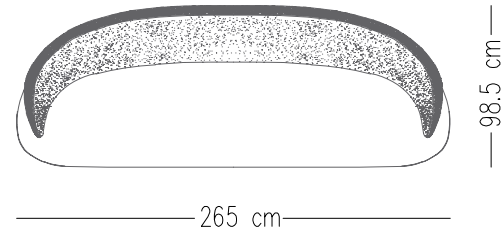
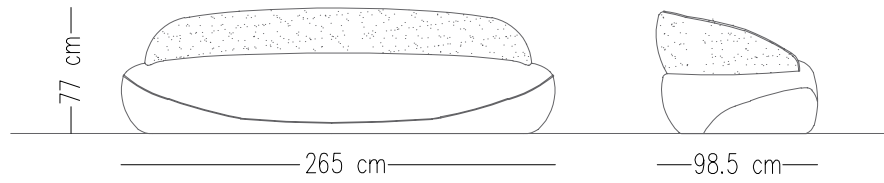
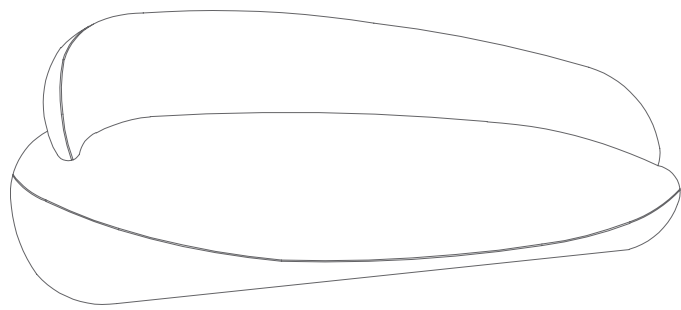
BACK 35 DNS SOFT FOAM

UPHOLSTERY TIGHT

MAINTENANCE STANDART WITH 2 CUSHIONS

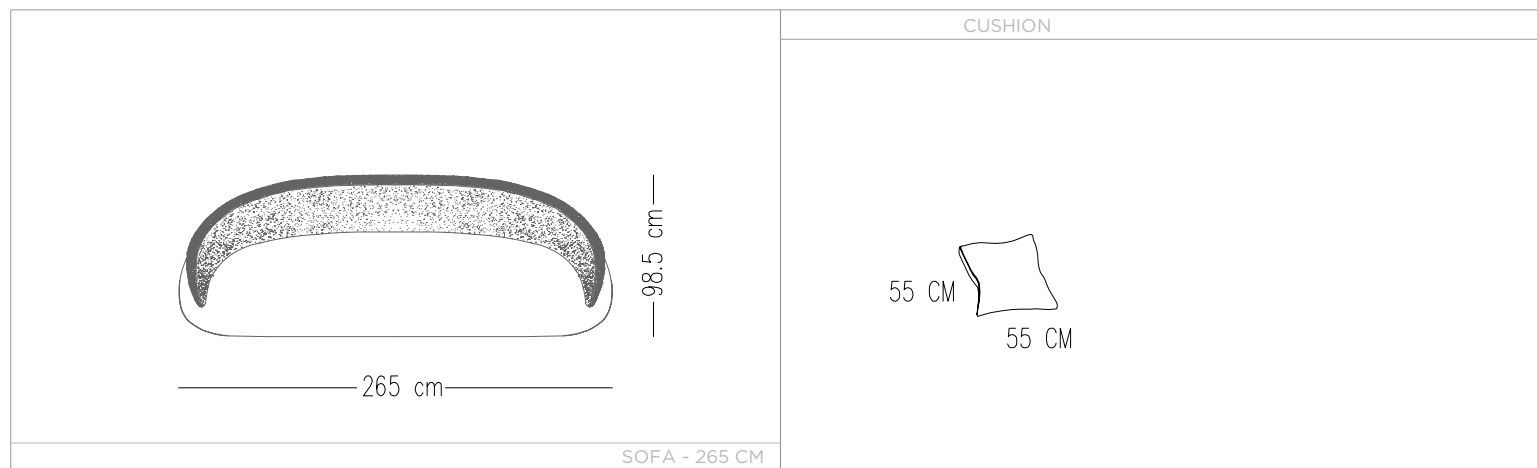
We recommend shaking and fluffing-up the cushions regularly to maintain the shape. This should be done after removing the cushions from the structure for improved air circulation. For maintenance of fabric and leather, please contact your retailer.





STANDARDS

MODULES



Catalog product-fabric

Catalog product-Legs

Fabric Matrix

Material Catalogue

N-B27/Linen

Hidden Leg



01

Alternative fabric
Linen teddy, Boucle and Linen





LORA SOFA

Norde

TECHNICALS PECIFICATIONS

Designed by
Norde Design Studio

INTERIOR STRUCTURE BEECH HARDWOOD FRAME AND ZIGZAG BOW

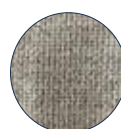
SEAT CUSHION GOOSE DOWN AND FIBER

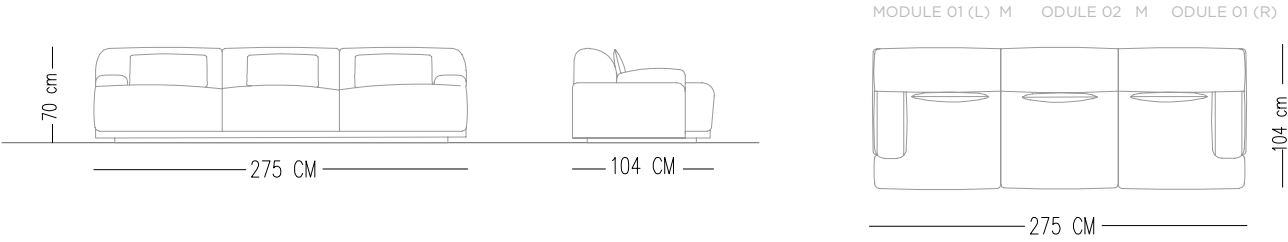
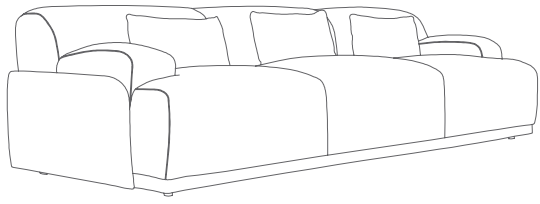
BACK GOOSE DOWN AND FIBER

UPHOLSTERY TIGHT

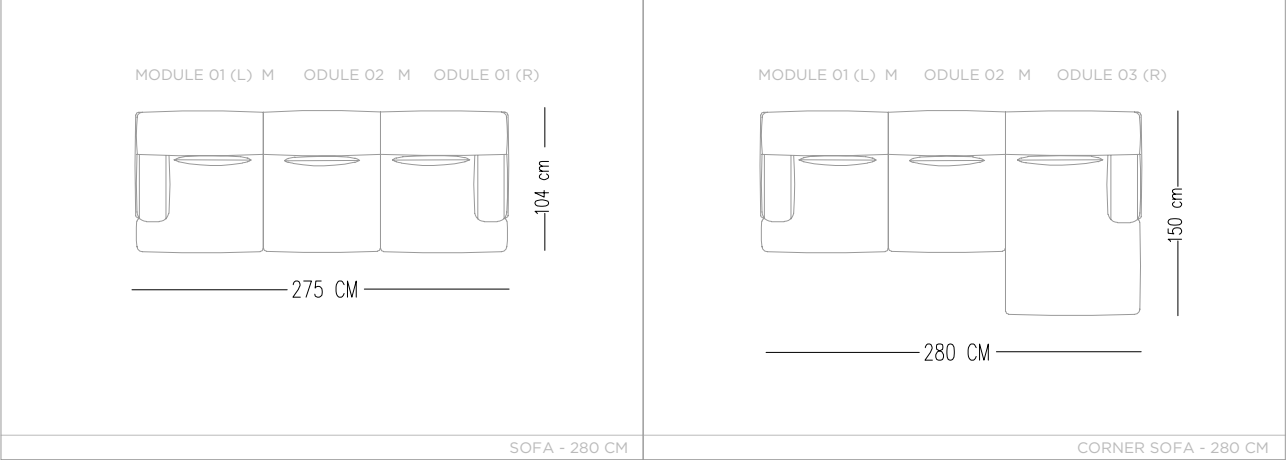
MAINTENANCE ALL DECORATIVE CUSHIONS ARE GOOSE DOWN AND SILICON MIX, QUANTITY AND DIMENSIONS ARE AS PER TECHNICAL DRAWINGS. STANDART WITH 2 CUSHIONS.

We recommend shaking and flufing-up the cushions regularly to maintain the shape.
This should be done after removing the cushions from the structure for improved air circulation.
For maintenance of fabric and leather, please contact your retailer

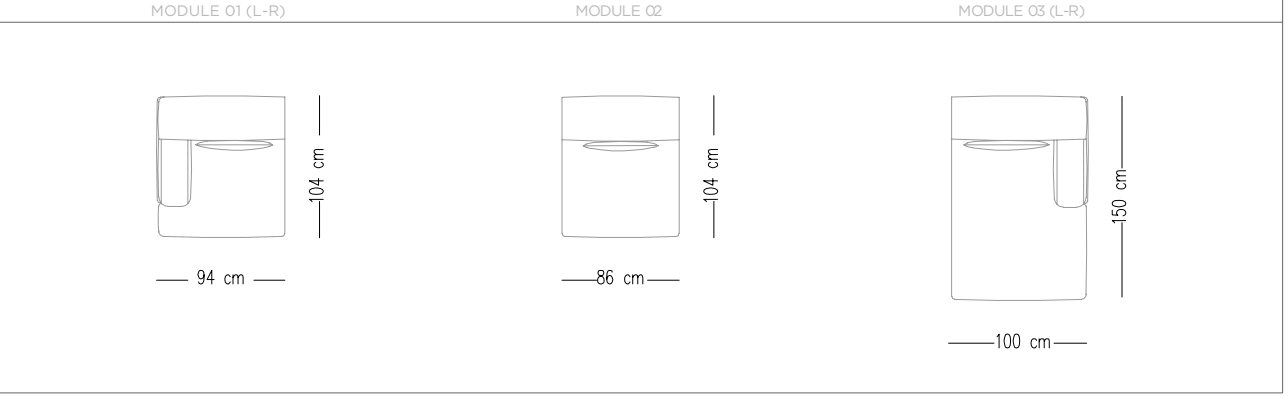




STANDARDS



MODULES



Catalog product-fabric

N-A34



65620

Alternative fabric
Linen and Boucle

Catalog product-Legs

Hidden Leg

Fabric Matrix



Material Catalogue





HARLES SOFA

TECHNICAL SPECIFICATIONS

Norde

Designed by
Norde Design Studio

INTERIOR STRUCTURE BEECH HARDWOOD FRAME AND ELASTIC COLUMN

SEAT CUSHION 35 DNS SOFT FOAM

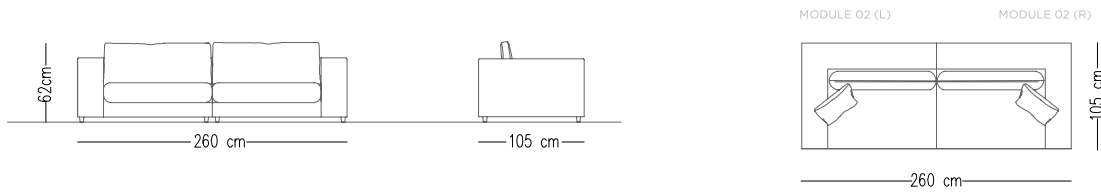
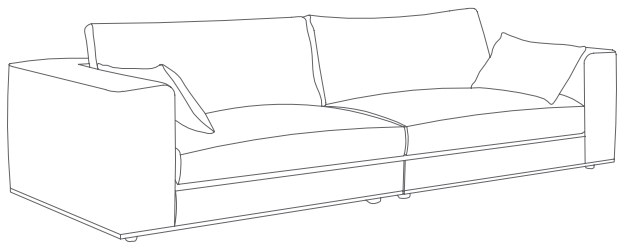
BACK GOOSE DOWN AND FIBER MIX

UPHOLSTERY TIGHT

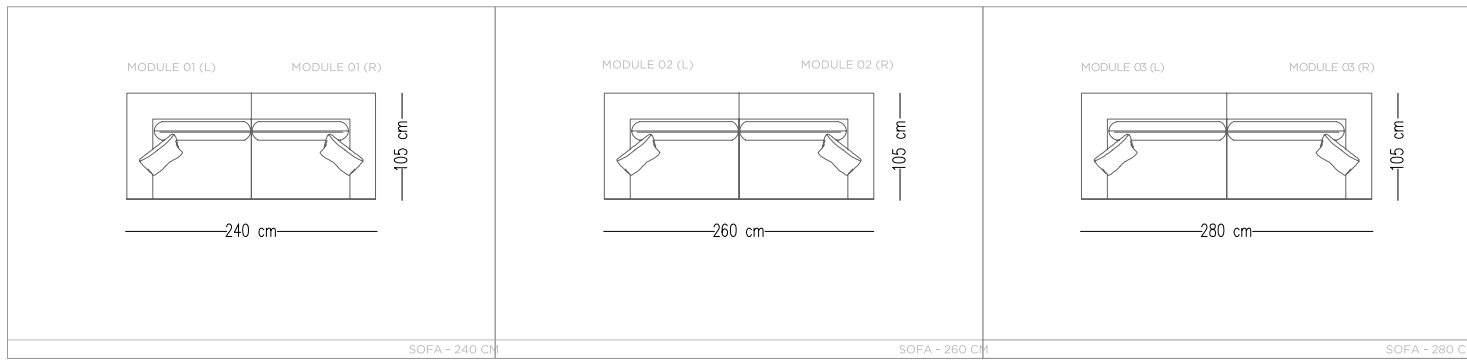
MAINTENANCE ALL DECORATIVE CUSHIONS ARE GOOSE DOWN AND SILICON MIX, QUANTITY AND DIMENSIONS ARE AS PER TECHNICAL DRAWINGS. STANDART WITH 2 CUSHIONS 35*60

We recommend shaking and fluffing-up the cushions regularly to maintain the shape. This should be done after removing the cushions from the structure for improved air circulation. For maintenance of fabric and leather, please contact your retailer.

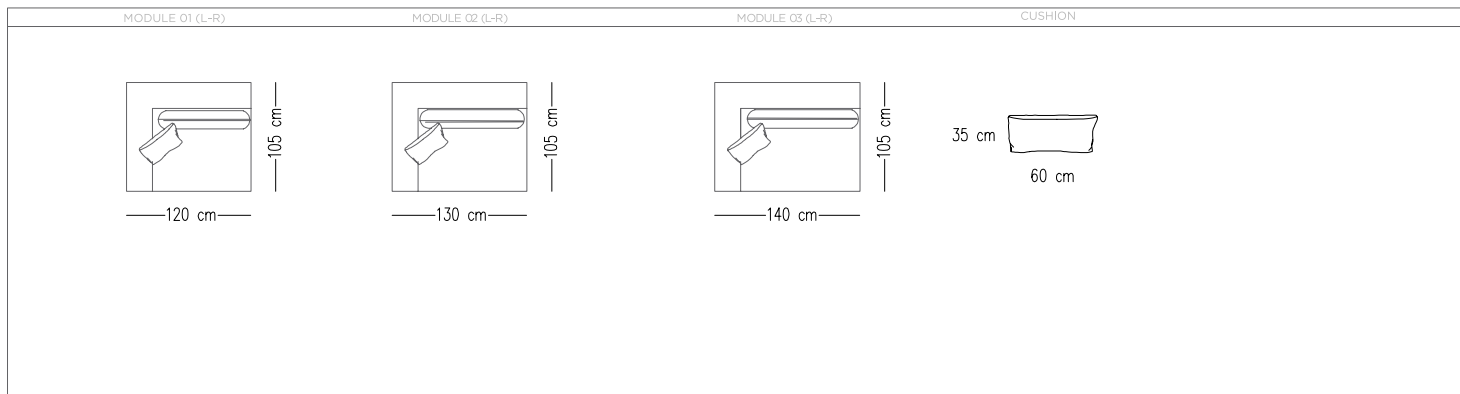




STANDARDS



MODULES



Catalog product-fabric

Catalog product-Legs

Fabric Matrix

Material Catalogue

N-B27/Linen

Hidden Leg



01

Alternative fabric
Linen and Boucle





VENEDIK SOFA

Norde

TECHNICAL SPECIFICATIONS

Designed by
Norde Design Studio

INTERIOR STRUCTURE BEECH HARDWOOD FRAME AND ELASTIC COLUMN

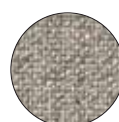
SEAT CUSHION GOOSE DOWN AND FIBER MIX

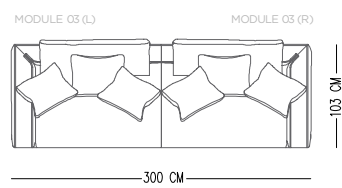
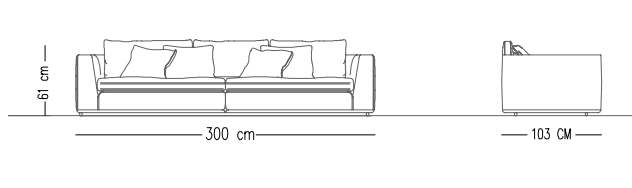
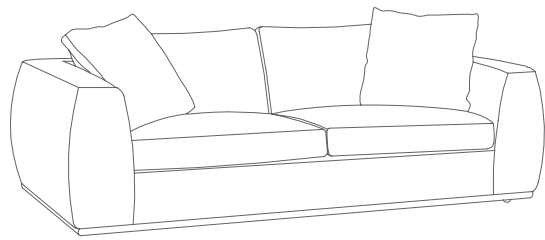
BACK GOOSE DOWN AND FIBER MIX

UPHOLSTERY TIGHT

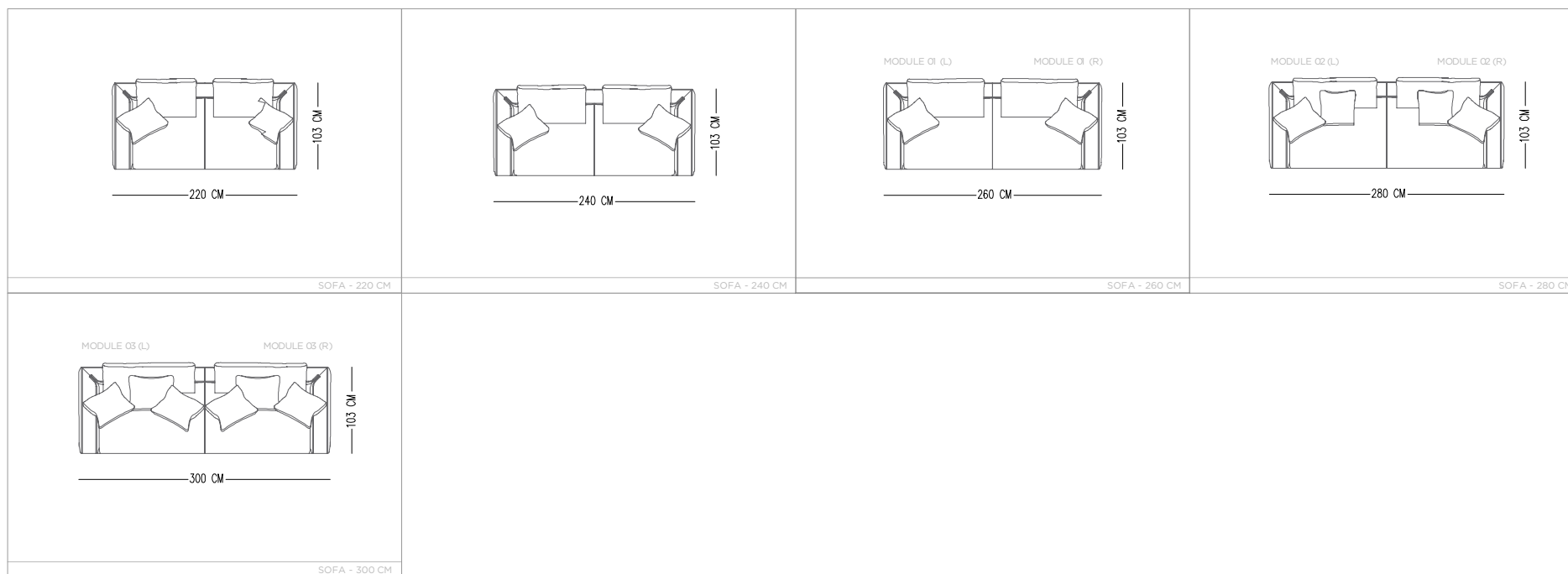
MAINTENANCE ALL DECORATIVE CUSHIONS ARE GOOSE DOWN AND SILICON MIX, QUANTITY AND DIMENSIONS ARE AS PER TECHNICAL DRAWINGS. STANDART WITH 2 CUSHIONS 45*45, 2 CUSHIONS 50*50 .

We recommend shaking and fluffing-up the cushions regularly to maintain the shape. This should be done after removing the cushions from the structure for improved air circulation. For maintenance of fabric and leather, please contact your retailer.

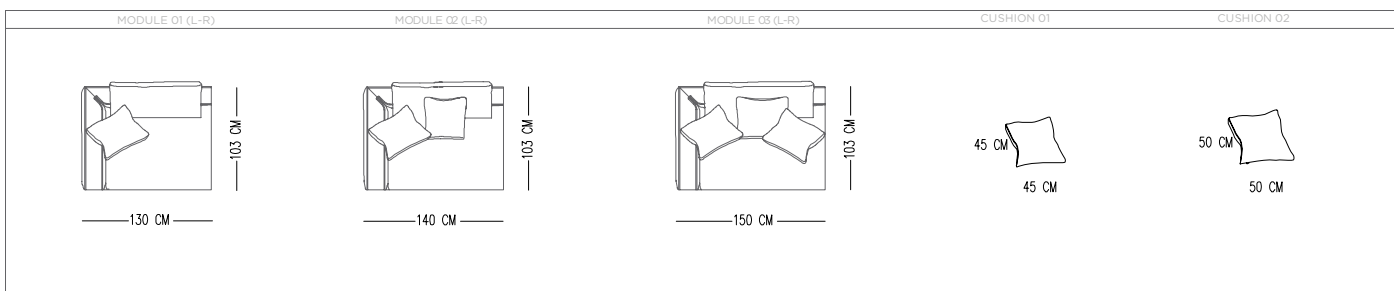




STANDARDS



MODULES



Catalog product-fabric

NA-10/Linen



43850

Catalog product-Legs

Hidden Leg

Fabric Matrix



Material Catalogue



Alternative fabric
Linen, Boucle and Nubuck



BİLGİN SOFA

TECHNICAL SPECIFICATIONS

Norde

Designed by
Norde Design Studio

INTERIOR STRUCTURE BEECH HARDWOOD FRAME AND ELASTIC COLUMN

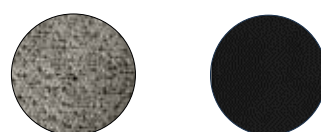
SEAT CUSHION 22 DNS GREY FOAM

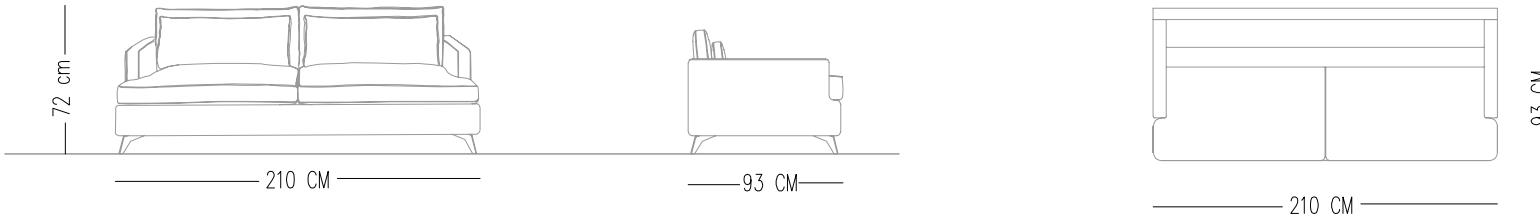
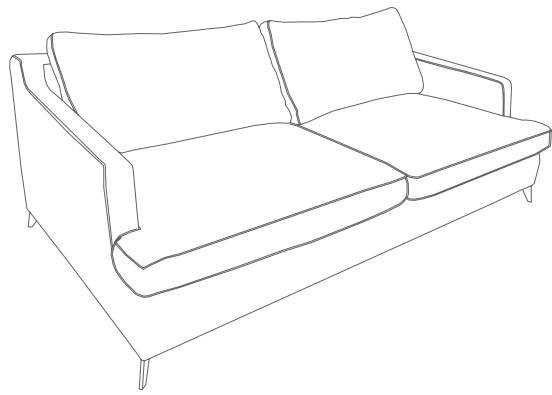
BACK 22 DNS GREY FOAM

UPHOLSTERY TIGHT

MAINTENANCE ALL DECORATIVE CUSHIONS ARE GOOSE DOWN AND SILICON MIX, QUANTITY AND DIMENSIONS ARE AS PER TECHNICAL DRAWINGS. STANDART WITH 2 CUSHIONS 45*90.

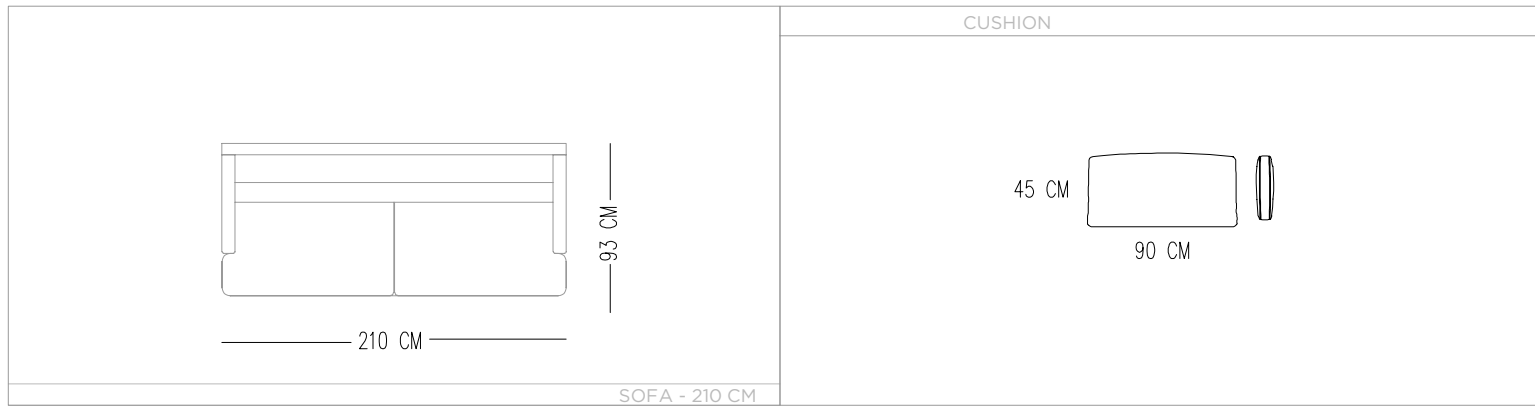
We recommend shaking and fluffing-up the cushions regularly to maintain the shape. This should be done after removing the cushions from the structure for improved air circulation. For maintenance of fabric and leather, please contact your retailer.





STANDARDS

MODULES



Catalog product-fabric

NB-34



08

Alternative fabric
Linen and Boucle

Catalog product-Legs

Black Metal



Fabric Matrix



Material Catalogue





PIETRA SOFA

Norde

TECHNICAL SPECIFICATIONS

Designed by
Norde Design Studio

INTERIOR STRUCTURE FRAME BEECH AND ELASTIC COLUMN

SEAT CUSHION 35 DNS SOFT FOAM

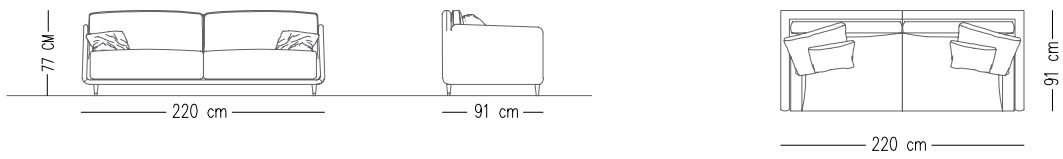
BACK 28 DNS GREY FOAM

UPHOLSTERY TIGHT

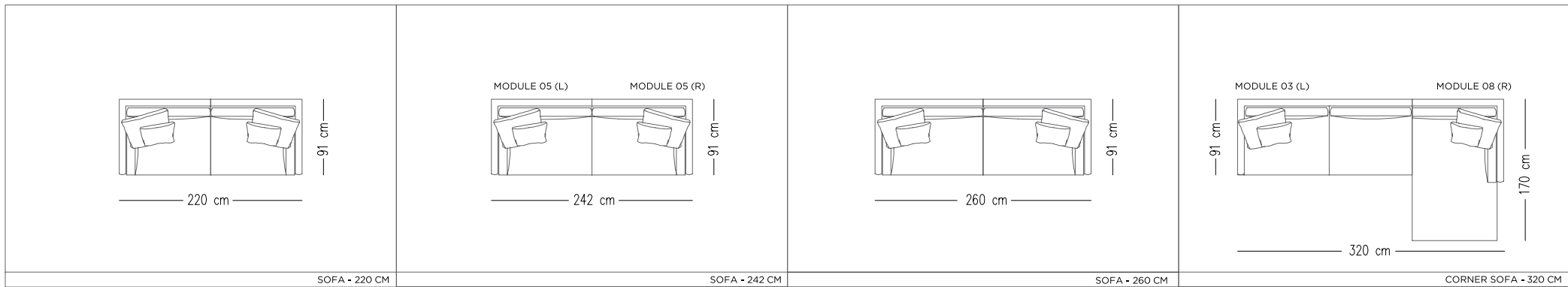
MAINTENANCE ALL DECORATIVE CUSHIONS ARE GOOSE DOWN AND SILICON MIX, QUANTITY AND DIMENSIONS ARE AS PER TECHNICAL DRAWINGS. STANDART WITH 4 CUSHIONS 45*45, 3 CUSHIONS 35*50

We recommend shaking and fluffing-up the cushions regularly to maintain the shape. This should be done after removing the cushions from the structure for improved air circulation. For maintenance of fabric and leather, please contact your retailer.

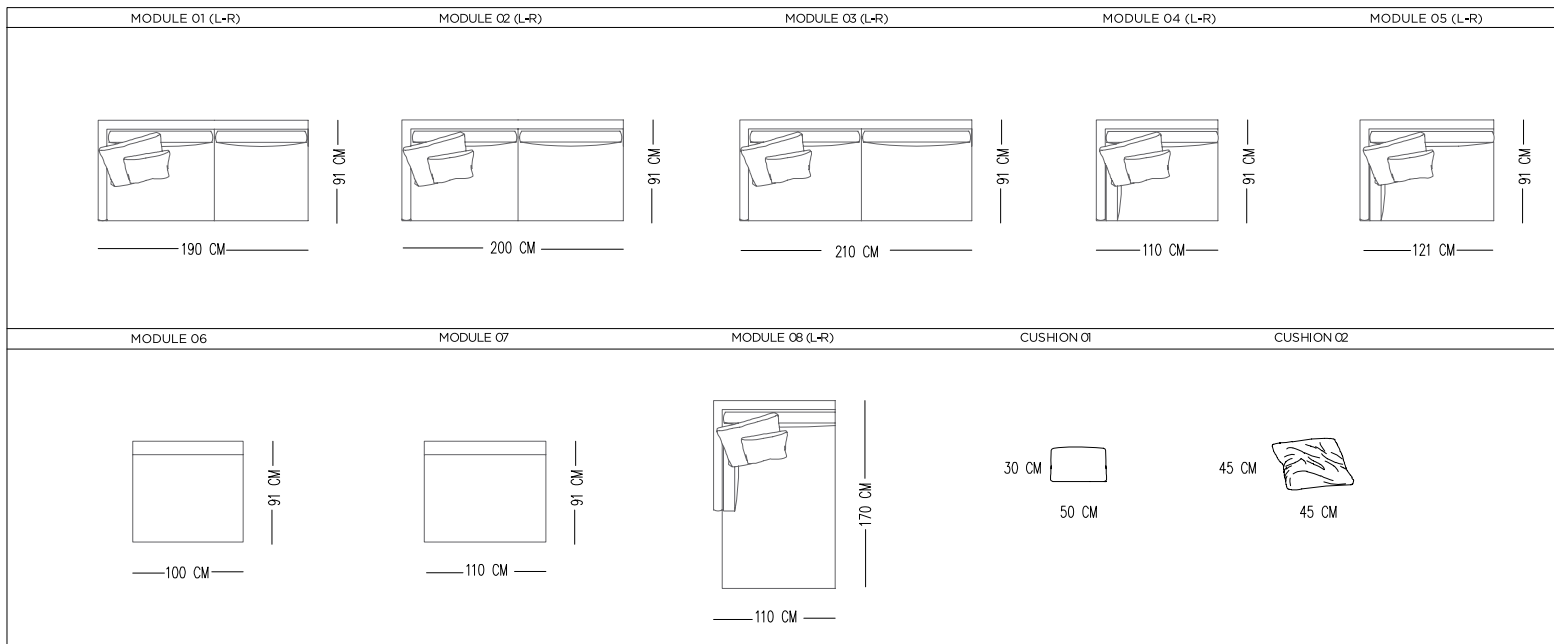




STANDARDS



MODULES



Catalog product-fabric

N-B13/Linen



A GRI - 01

Catalog product-Legs

Black wood and brass old detail



Fabric Matrix



Material Catalogue



Alternative fabric
Linen and Boucle



JUPITER SOFA

Norde

TECHNICAL SPECIFICATIONS

Designed by
Norde Design Studio

INTERIOR STRUCTURE BEECH HARDWOOD FRAME AND ZIGZAG BOW

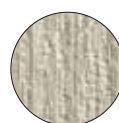
SEAT CUSHION 35 DNS SOFT FOAM AND FIBER

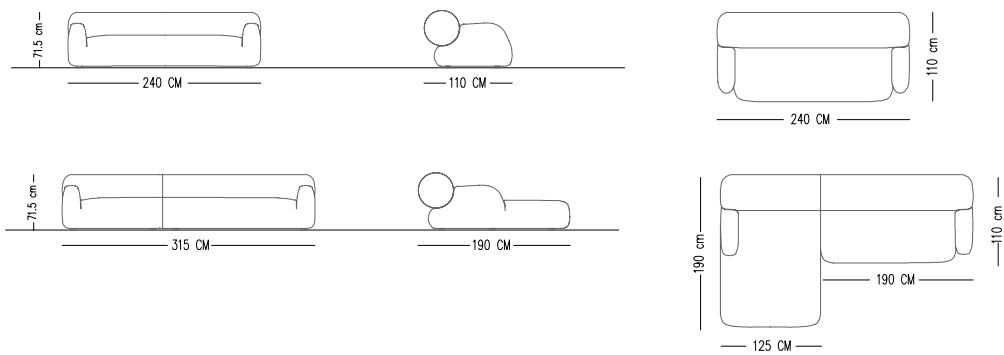
BACK GOOSE DOWN AND FIBER

UPHOLSTERY TIGHT

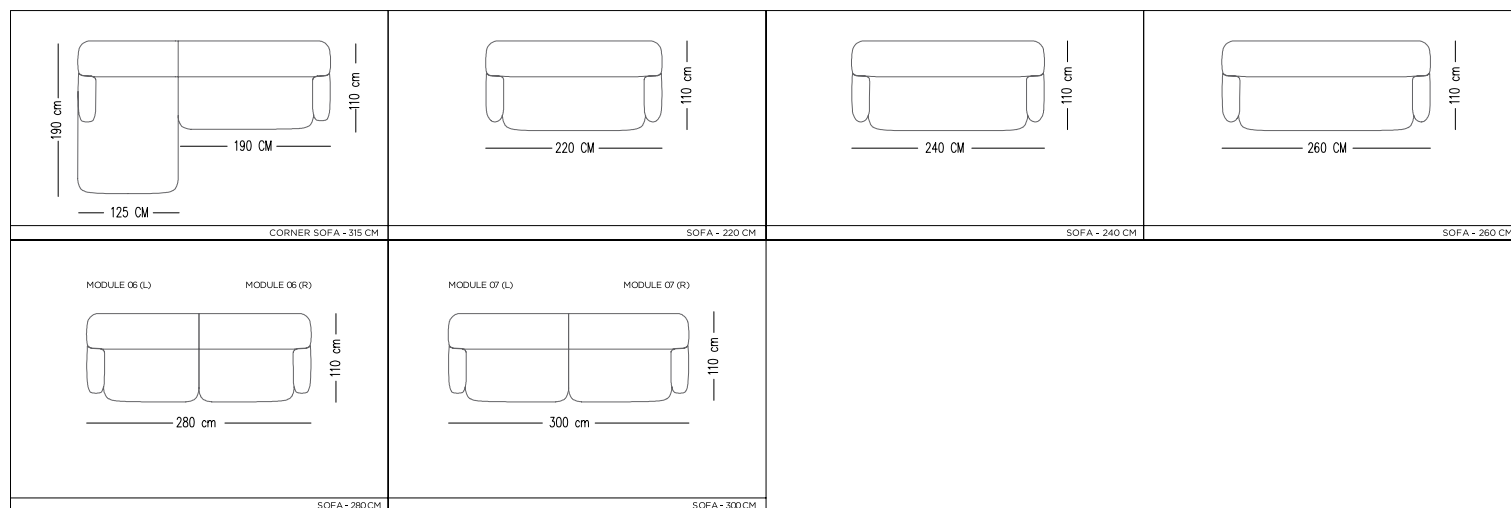
MAINTENANCE ALL DECORATIVE CUSHIONS ARE GOOSE DOWN AND SILICON MIX, QUANTITY AND DIMENSIONS ARE AS PER TECHNICAL DRAWINGS..STANDART WITH 4 CUSHIONS

We recommend shaking and fluffing-up the cushions regularly to maintain the shape. This should be done after removing the cushions from the structure for improved air circulation. For maintenance of fabric and leather, please contact your retailer.

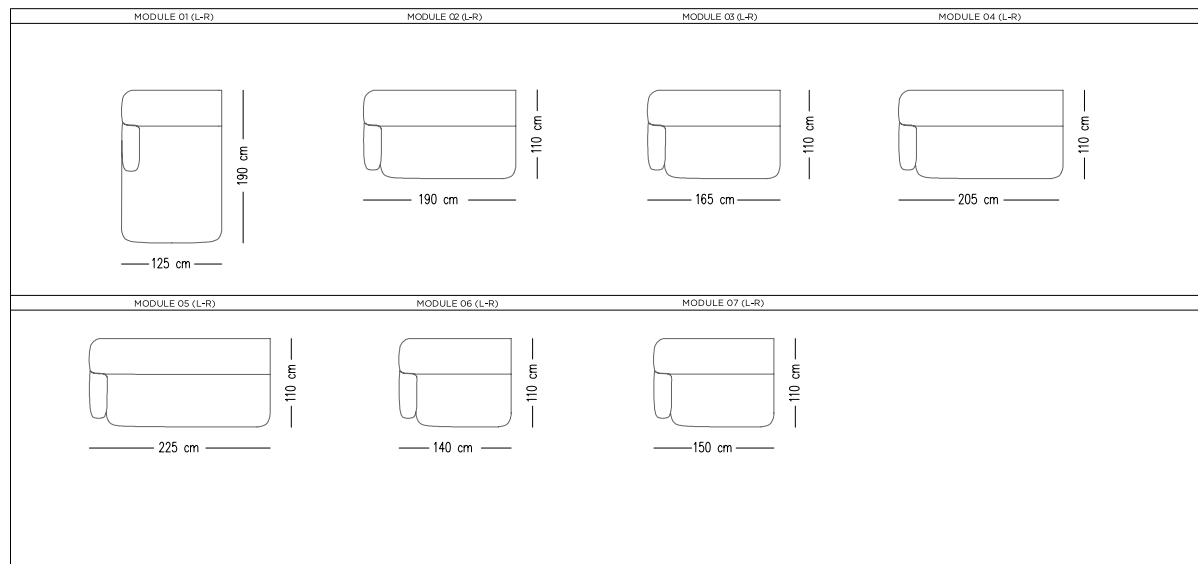




STANDARDS



MODULES



Catalog product-fabric

N-C35/ Linen teddy



Laura

Catalog product-Legs

Hidden leg

Fabric Matrix



Material Catalogue



Alternative fabric

Linen, Boucle, Faux leather and Linen teddy



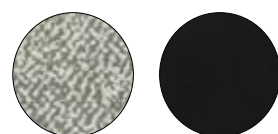
AUDREY SOFA

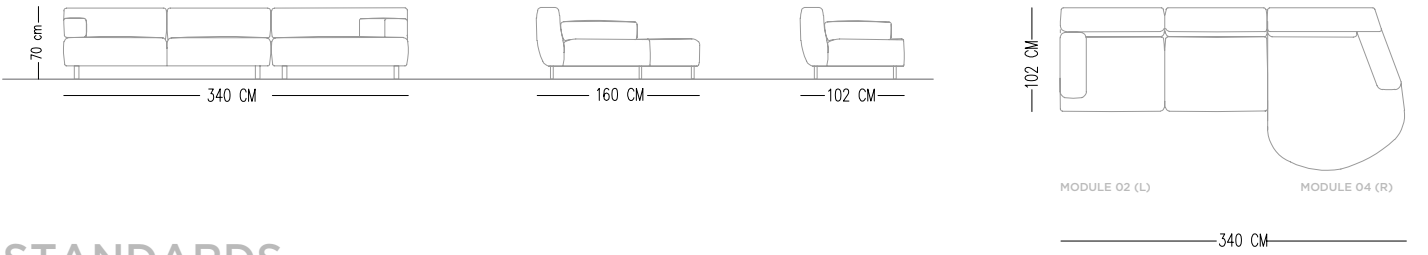
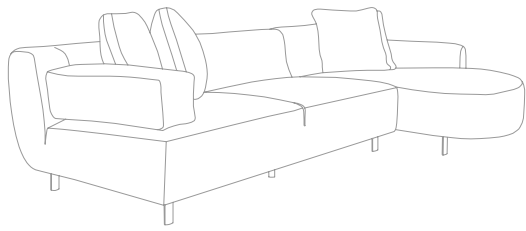
TECHNICAL SPECIFICATIONS

Norde

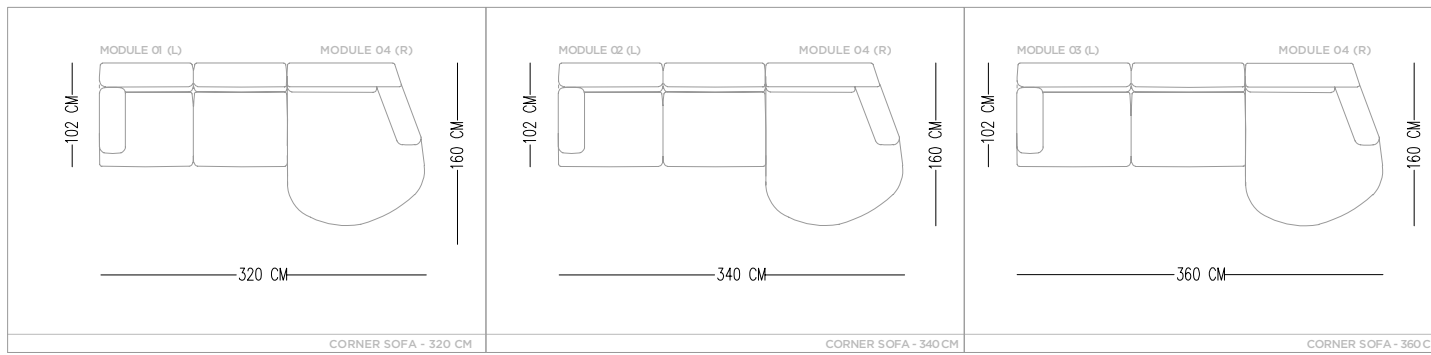
Designed by
Engin Sergin

INTERIOR STRUCTURE	BEECH HARDWOOD FRAME AND ZIGZAG BOW
SEAT CUSHION	35 DNS SOFT FOAM AND FIBER
BACK	GOOSE DOWN AND FIBER
UPHOLSTERY	TIGHT
LEGS	ELECTROSTATIC POWDER BLACK PAINT ON METAL
MAINTENANCE	ALL DECORATIVE CUSHIONS ARE GOOSE DOWN AND SILICON MIX, QUANTITY AND DIMENSIONS ARE AS PER TEC DRAWINGS..STANDART WITH 4 CUSHIONS We recommend shaking and flufing-up the cushions regularly to maintain the shape.

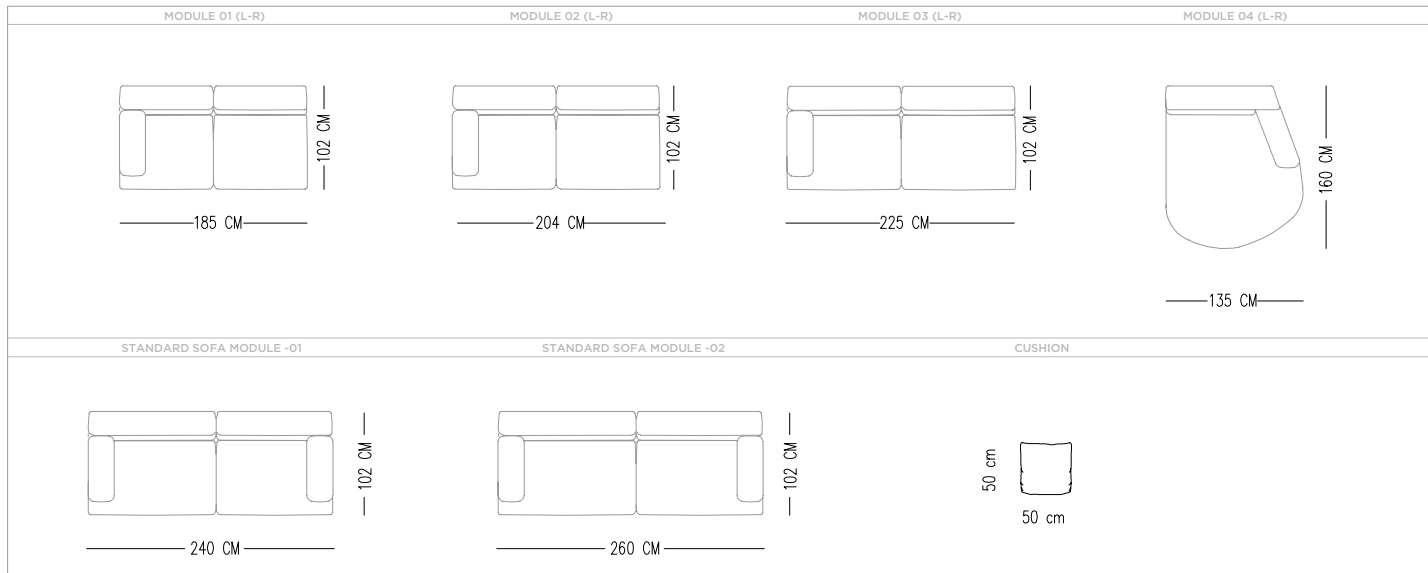




STANDARDS



MODULES



Catalog product-fabric

NC41-Linen velvet



5048

Alternative fabric
Linen, Boucle and Linen teddy

Catalog product-Legs

Electrostatic Powder Black Paint On Metal



Fabric Matrix



Material Catalogue





DOMINO CORNER SOFA

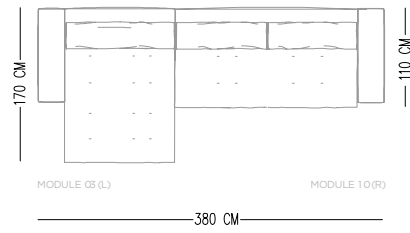
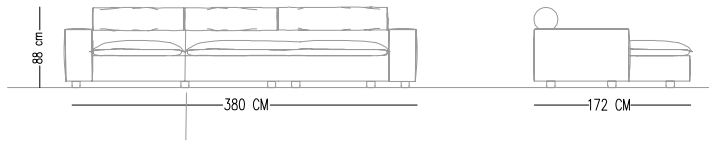
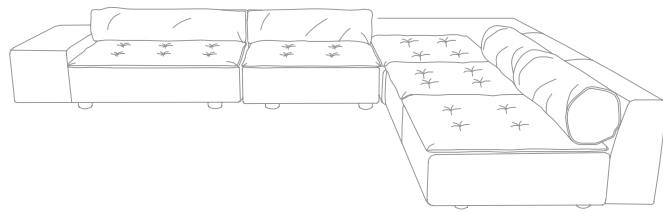
Norde

TECHNICAL SPECIFICATIONS

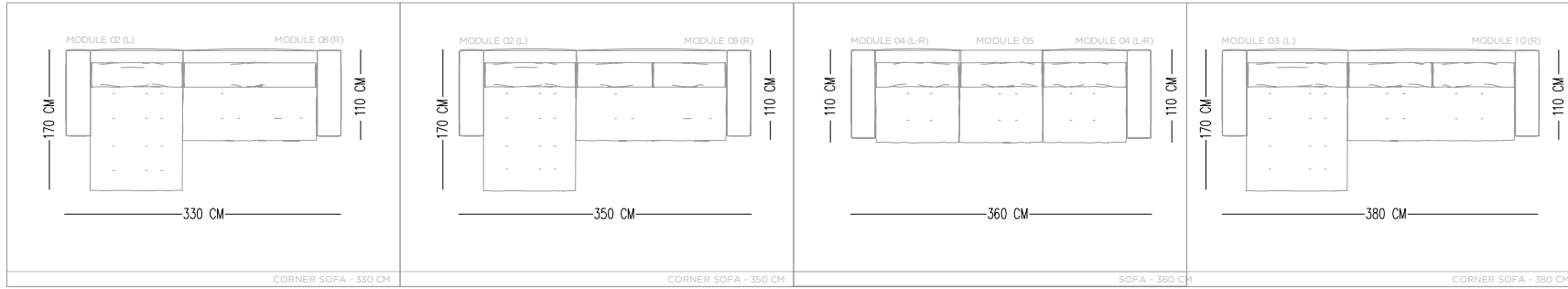
Designed by
Norde Design Studio

INTERIOR STRUCTURE	BEECH HARDWOOD FRAME AND ZIGZAG BOW
SEAT CUSHION	GOOSE DOWN AND FIBER
CIRCULAR CUSHIONS	GOOSE DOWN
UPHOLSTERY	TIGHT
MAINTENANCE	ALL DECORATIVE CUSHIONS ARE GOOSE DOWN AND SILICON MIX, QUANTITY AND DIMENSIONS ARE AS PER TECHNICAL DRAWINGS. We recommend shaking and fluffing-up the cushions regularly to maintain the shape. This should be done after removing the cushions from the structure for improved air circulation. For maintenance of fabric and leather, please contact your retailer

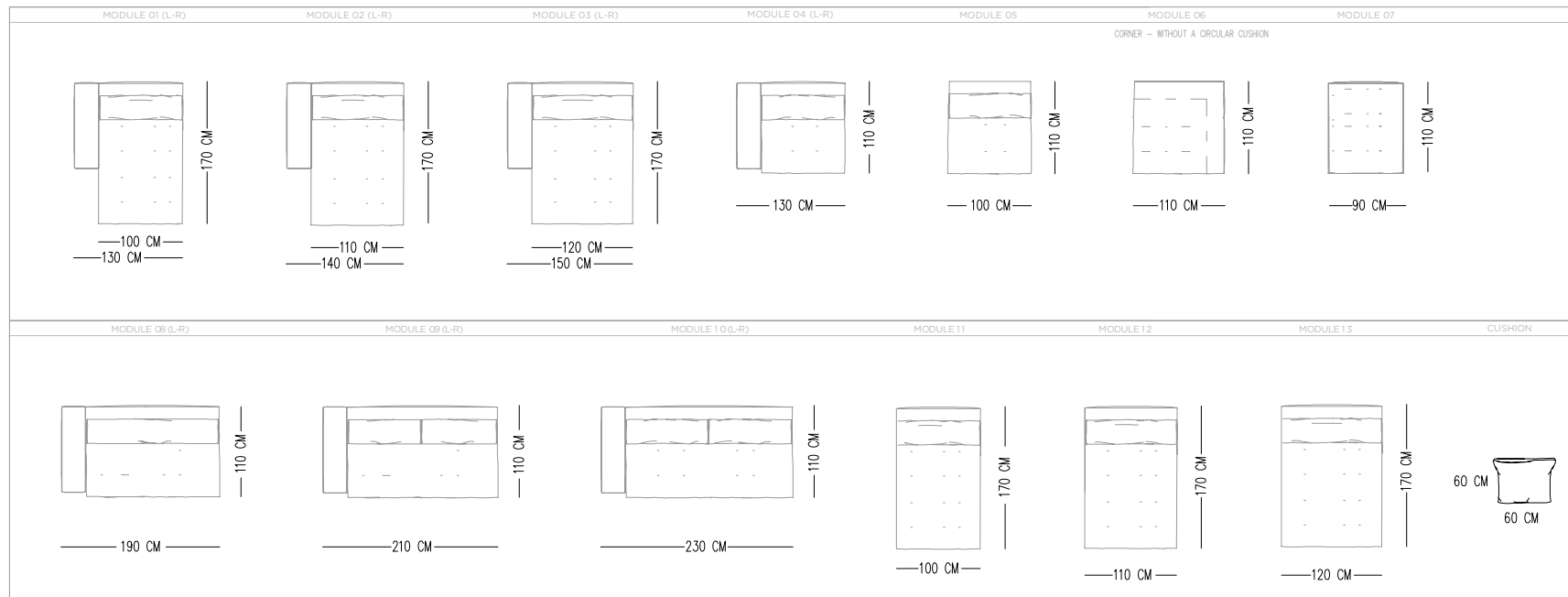




STANDARDS



MODULES



Catalog product-fabric

N-A17/Nubuck



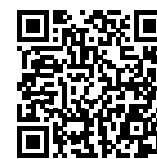
048

Alternative fabric
Linen, Soft velvet and Nubuck

Catalog product-Legs

Hidden Leg

Fabric Matrix



Material Catalogue





BULUT SOFA

TECHNICALS PECIFICATIONS

Norde

Designed by
Norde Design Studio

INTERIOR STRUCTURE BEECH WOOD AND STEEL AND MDF WITH ZIGZAG BOW

STRUCTURE PADDING 35 DNS SOFT FOAM ON PAD GOOSE DOWN

SEAT CUSHION GOOSE DOWN AND FIBER MIX

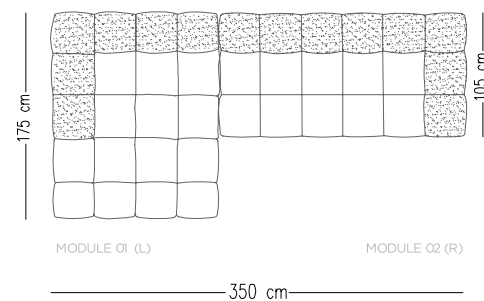
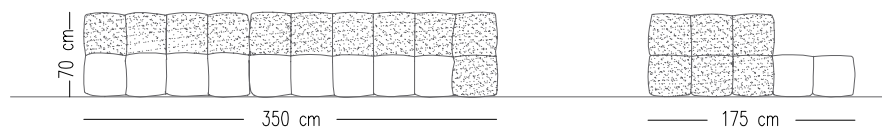
BACK BACK CUSHION 100% DOWN/FEATHERS

UPHOLSTERY LOOSE

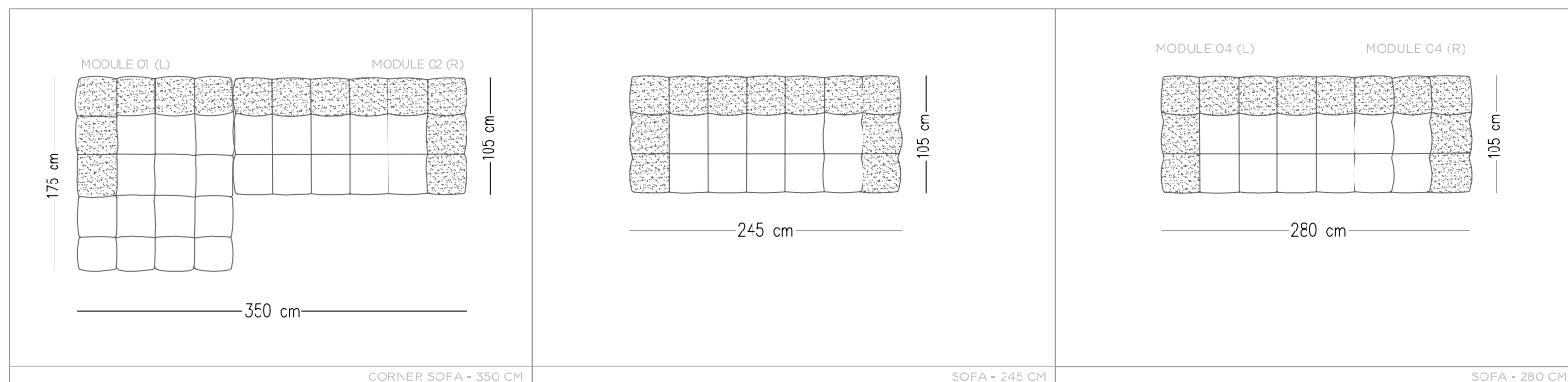
MAINTENANCE ALL DECORATIVE CUSHIONS ARE GOOSE DOWN AND SILICON MIX, QUANTITY AND DIMENSIONS ARE AS PER TECHNICAL DRAWINGS..STANDART WITH 2 CUSHIONS 60*60, 2 CUSHIONS 45*45,1 CUSHIONS 35*55.

We recommend shaking and flufing-up the cushions regularly to maintain the shape.
This should be done after removing the cushions from the structure for improved air circulation.
For maintenance of fabric and leather, please contact your retailer

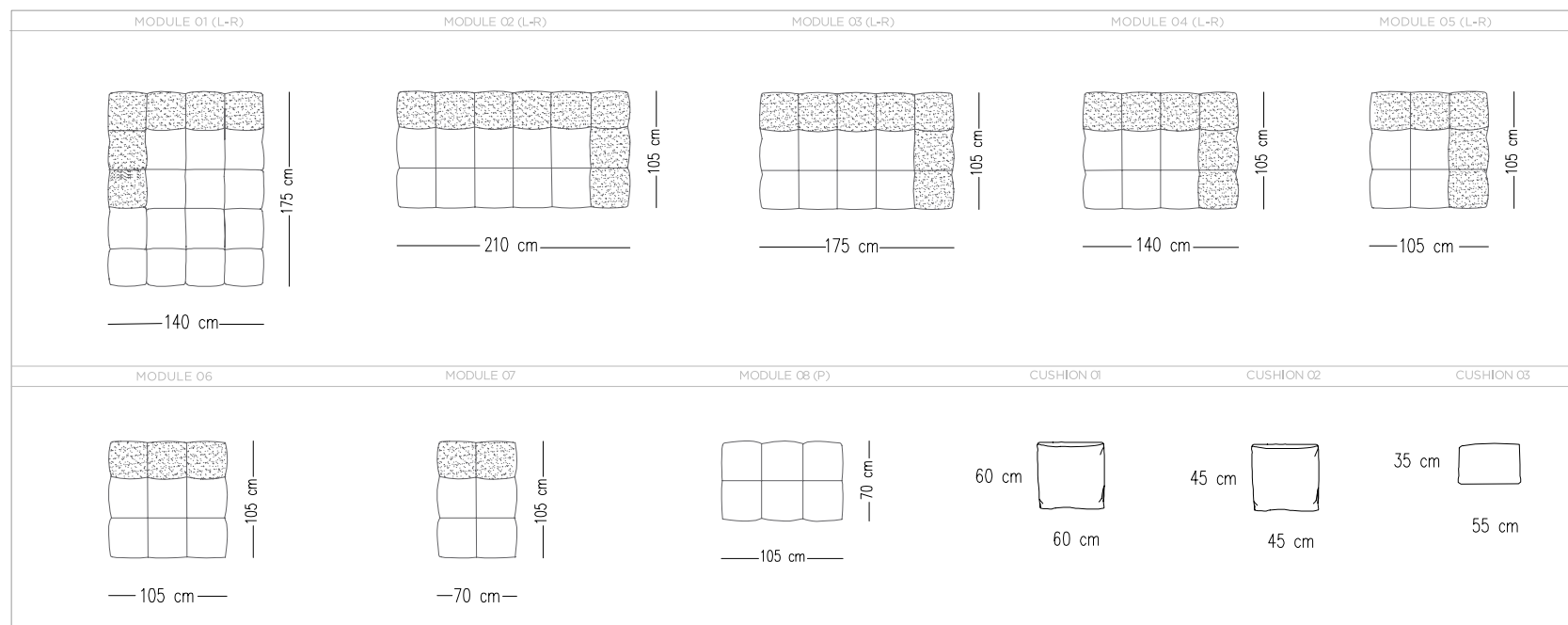




STANDARDS



MODULES



Catalog product-fabric

N-A16/Linen teddy



46860

Alternative fabric
Linen teddy, Suede, Linen and Boucle

Catalog product-Legs

Hidden Leg

Fabric Matrix



Material Catalogue





NORA SOFA

TECHNICAL SPECIFICATIONS

Norde

Designed by
Norde Design Studio

INTERIOR STRUCTURE BEECH WOOD AND STEEL ZIGZAG BOW

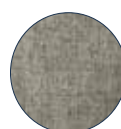
SEAT CUSHION GOOSE DOWN AND FIBER MIX

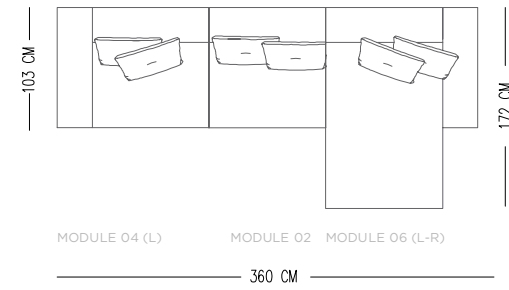
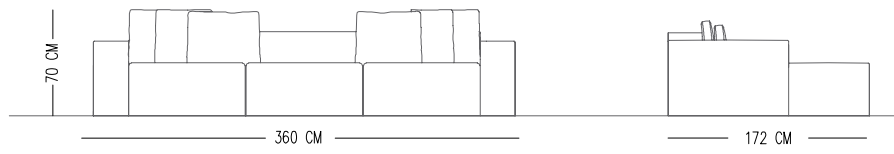
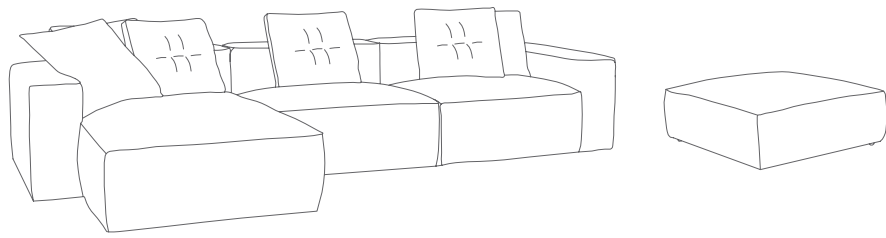
BACK GOOSE DOWN AND FIBER MIX

UPHOLSTERY TIGHT

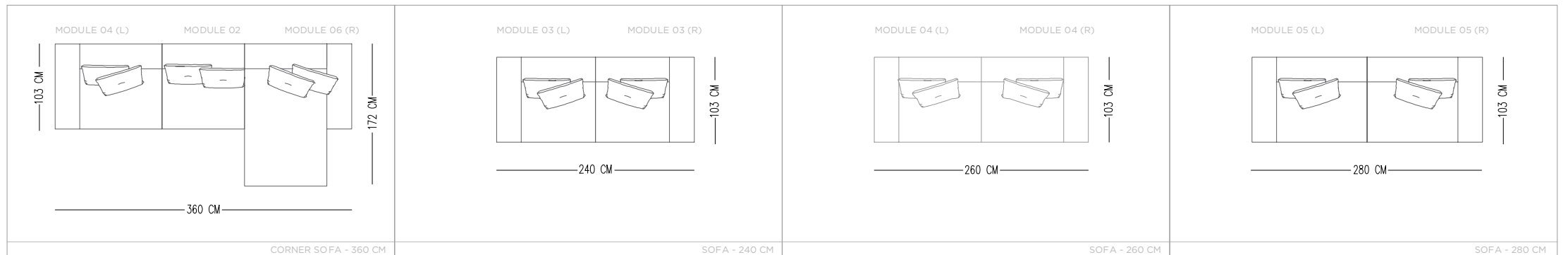
MAINTENANCE ALL DECORATIVE CUSHIONS ARE GOOSE DOWN AND SILICON MIX, QUANTITY AND DIMENSIONS ARE AS PER TECHNICAL DRAWINGS. STANDART WITH 6 CUSHIONS 55*55.

We recommend shaking and fluffing-up the cushions regularly to maintain the shape. This should be done after removing the cushions from the structure for improved air circulation. For maintenance of fabric and leather, please contact your retailer.

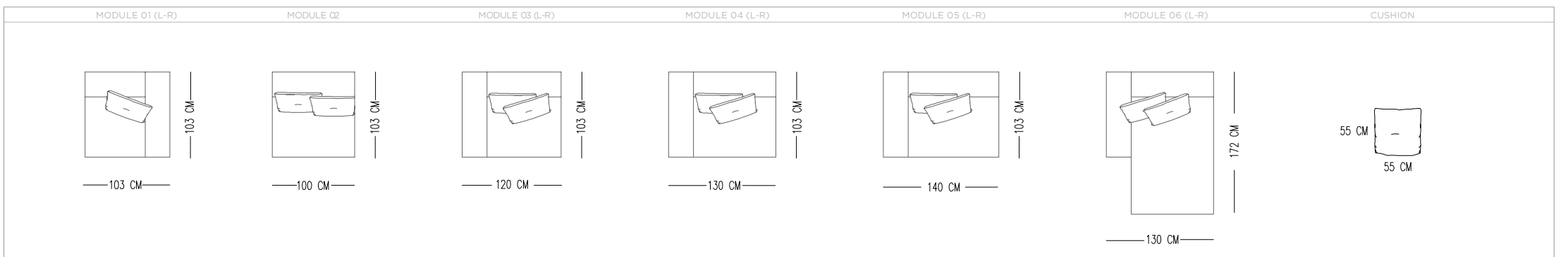




STANDARDS



MODULES



Catalog product-fabric

N-B13/Linen



Krem 02

Catalog product-Legs

Hidden Leg

Fabric Matrix



Material Catalogue



Alternative fabric
Linen, Boucle and Nubuck



ITALS SOFA

TECHNICAL SPECIFICATIONS

Norde

Designed by
Norde Design Studio

INTERIOR STRUCTURE BEECH HARDWOOD FRAME AND ELASTIC COLUMN

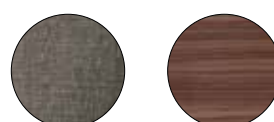
SEAT CUSHION GOOSE DOWN AND FIBER MIX

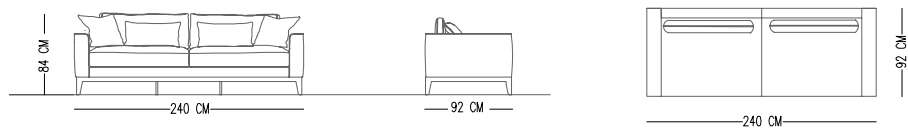
BACK GOOSE DOWN AND FIBER MIX

UPHOLSTERY TIGHT

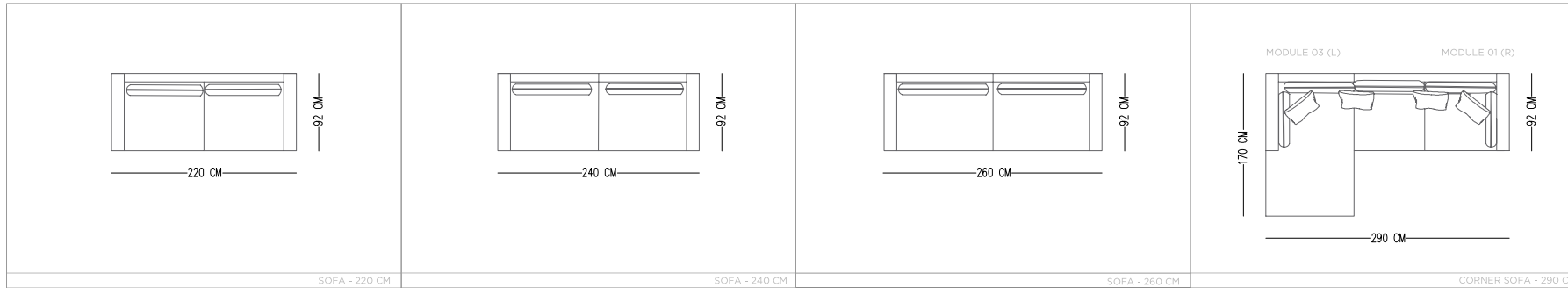
MAINTENANCE ALL DECORATIVE CUSHIONS ARE GOOSE DOWN AND SILICON MIX, QUANTITY AND DIMENSIONS ARE AS PER TECHNICAL DRAWINGS. STANDART WITH 3 CUSHIONS 25*55. 1 CUSHIONS 45*45

We recommend shaking and fluffing-up the cushions regularly to maintain the shape. This should be done after removing the cushions from the structure for improved air circulation. For maintenance of fabric and leather, please contact your retailer.

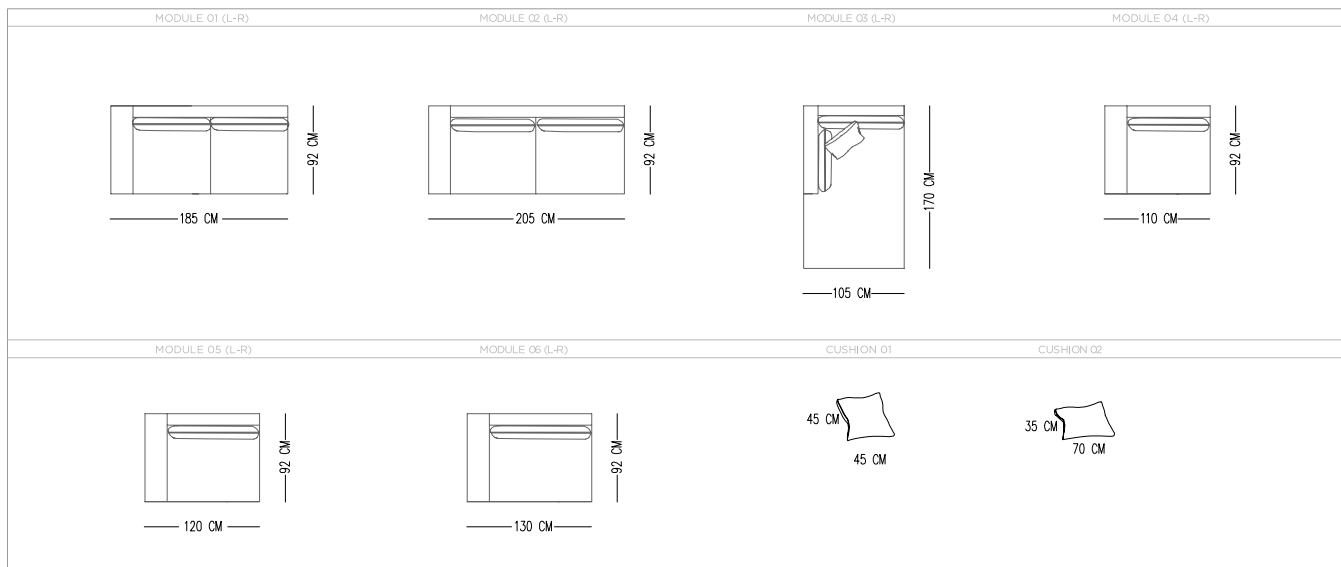




STANDARDS



MODULES



Catalog product-fabric

N-B32/Linen



213-05

Catalog product-Legs

Wooden walnut polish



Fabric Matrix



Material Catalogue



Alternative fabric
Linen and Boucle



LEO SOFA

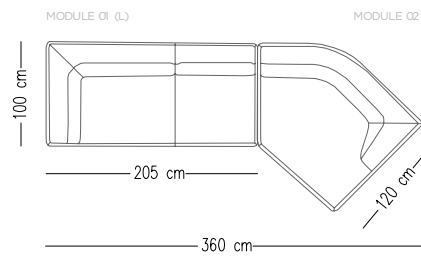
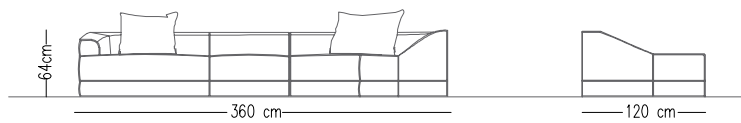
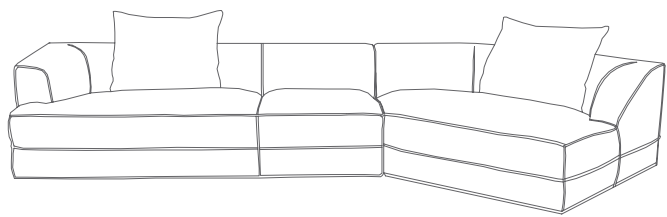
TECHNICALS PECIFICATIONS

Norde

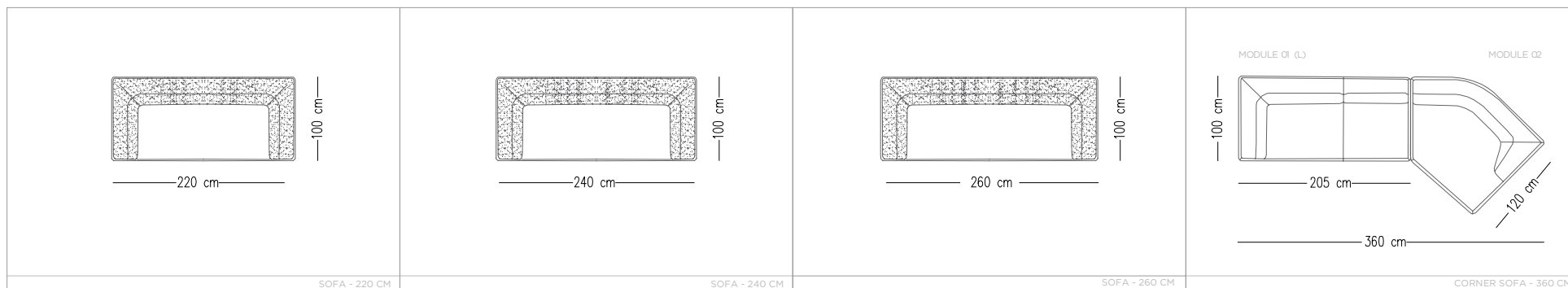
Designed by
Norde Design Studio

INTERIOR STRUCTURE	BEECH HARDWOOD FRAME , ZIGZAG BOW AND ELASTIC COLUMN
SEAT CUSHION	22 DNS GREY FOAM
BACK	22 DNS GREY FOAM
UPHOLSTERY	TIGHT
MAINTENANCE	ALL DECORATIVE CUSHIONS ARE GOOSE DOWN AND SILICON MIX, QUANTITY AND DIMENSIONS ARE AS PER TECHNICAL DRAWINGS..STANDART WITH 3 CUSHIONS 70*70 We recommend shaking and fluffing-up the cushions regularly to maintain the shape. This should be done after removing the cushions from the structure for improved air circulation. For maintenance of fabric and leather, please contact your retailer.

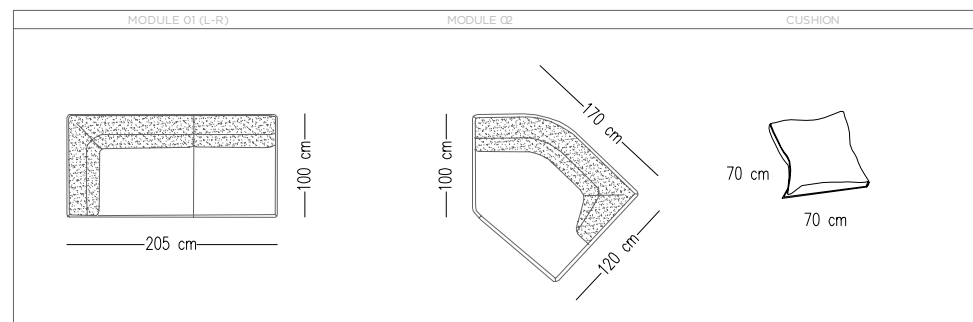




STANDARDS



MODULES



Catalog product-fabric

N-C14/Linen



7002

Alternative fabric
Linen

Catalog product-Legs

Hidden Leg

Fabric Matrix



Material Catalogue





PORTO SOFA

TECHNICAL SPECIFICATIONS

Norde

Designed by
Norde Design Studio

INTERIOR STRUCTURE BEECH HARDWOOD FRAME AND ELASTIC COLUMN

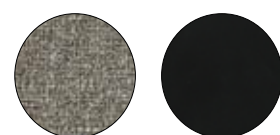
SEAT CUSHION GOOSE DOWN AND FIBER MIX

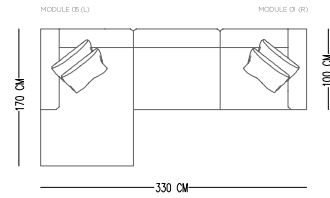
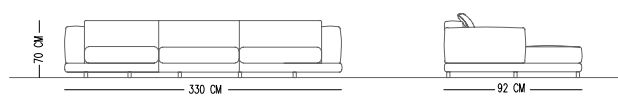
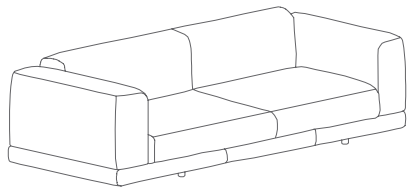
BACK GOOSE DOWN AND FIBER MIX

UPHOLSTERY TIGHT

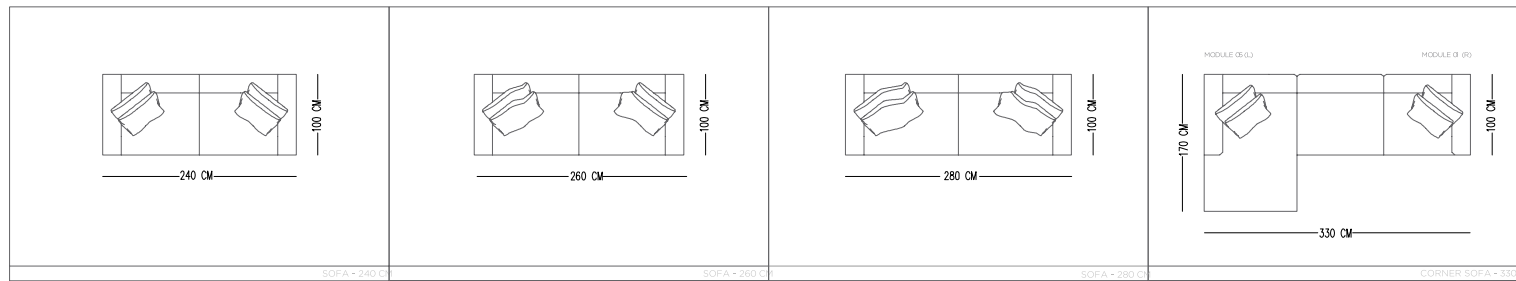
MAINTENANCE ALL DECORATIVE CUSHIONS ARE GOOSE DOWN AND SILICON MIX, QUANTITY AND DIMENSIONS ARE AS PER TECHNICAL DRAWINGS. STANDART WITH 4 CUSHIONS 60*60

We recommend shaking and fluffing-up the cushions regularly to maintain the shape. This should be done after removing the cushions from the structure for improved air circulation. For maintenance of fabric and leather, please contact your retailer.

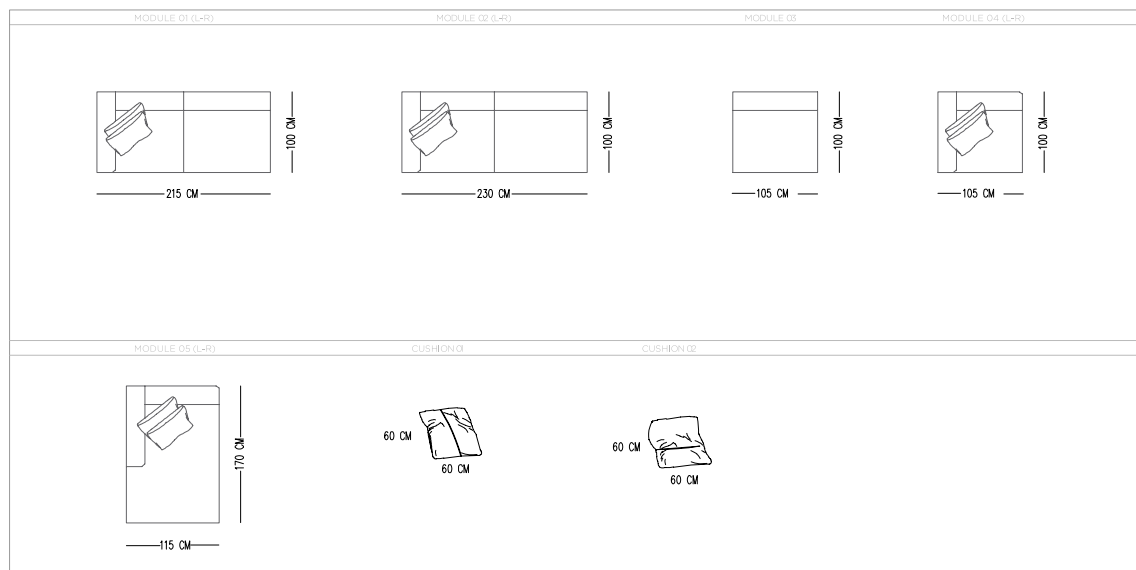




STANDARDS



MODULES



Catalog product-fabric

NB-39-Linen



2134

Alternative fabric
Linen and Boucle

Catalog product-Legs

Black Painted Metal



Fabric Matrix



Material Catalogue





NIRVANA SOFA

Norde

TECHNICALS PECIFICATIONS

Designed by
Norde Design Studio

INTERIOR STRUCTURE FRAME BEECH CONTRA AND ELASTIC COLUMN

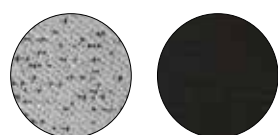
SEAT CUSHION 35 DNS SOFT FOAM

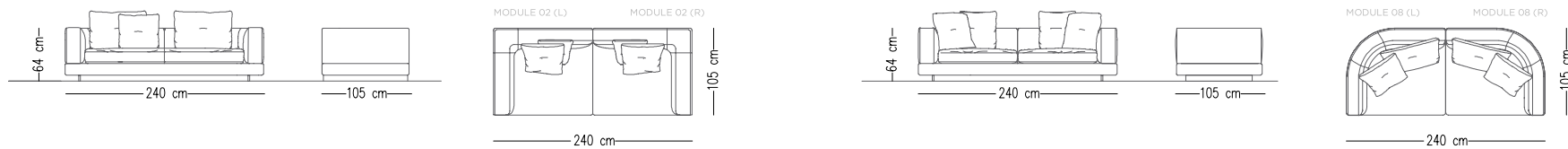
BACK 22 DNS GREY FOAM

UPHOLSTERY TIGHT

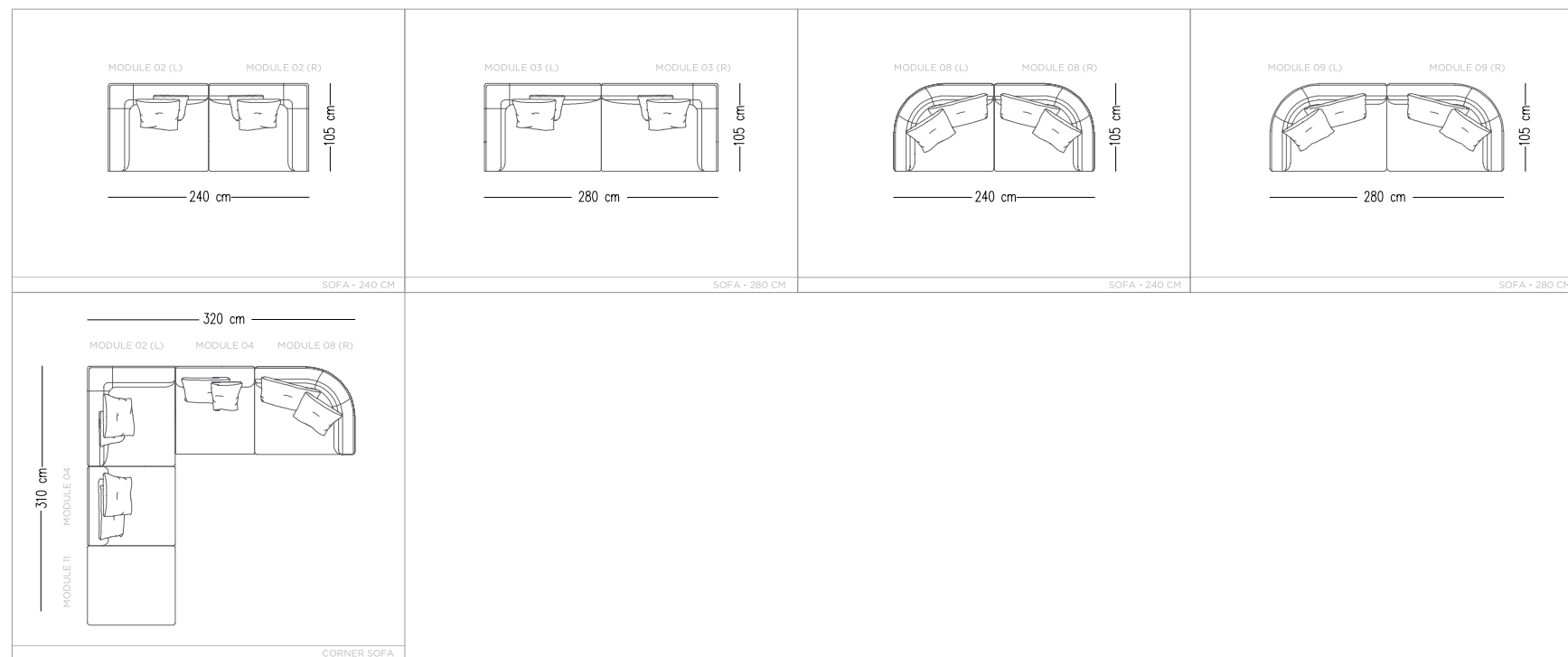
MAINTENANCE ALL DECORATIVE CUSHIONS ARE GOOSE DOWN AND SILICON MIX, QUANTITY AND DIMENSIONS ARE AS PER TECHNICAL DRAWINGS. STANDART WITH 4 CUSHIONS 50*50, 5 CUSHIONS 50*70

We recommend shaking and fluffing-up the cushions regularly to maintain the shape. This should be done after removing the cushions from the structure for improved air circulation. For maintenance of fabric and leather, please contact your retailer .

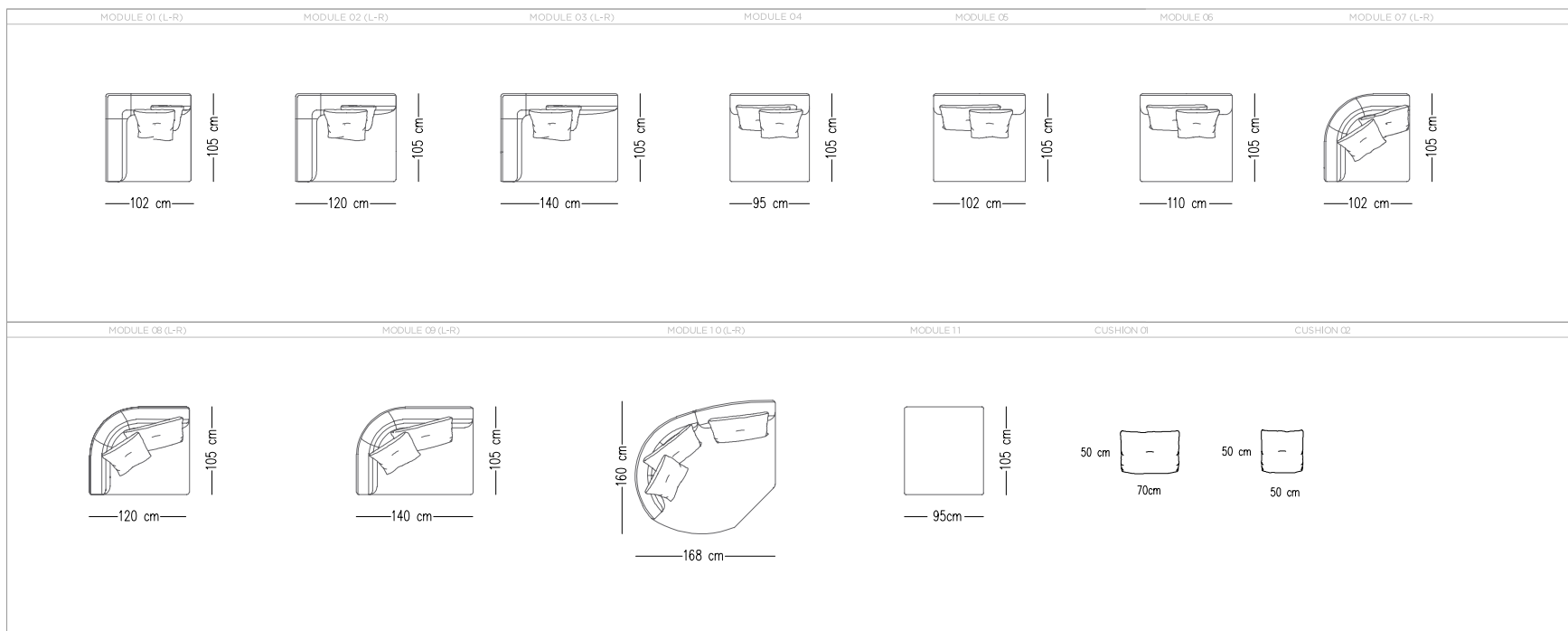




STANDARDS



MODULES



Catalog product-fabric

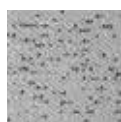
Catalog product-Legs

Fabric Matrix

Material Catalogue

N-A26/Linen

Wood wenge varnish



112



Alternative fabric
Linen, Boucle and Chenille



RITA SOFA

Norde

TECHNICAL SPECIFICATIONS

Designed by
Samet Bakır

INTERIOR STRUCTURE BEECH HARDWOOD FRAME AND ZIGZAG BOW

SEAT CUSHION 35 DNS SOFT FOAM AND FIBER

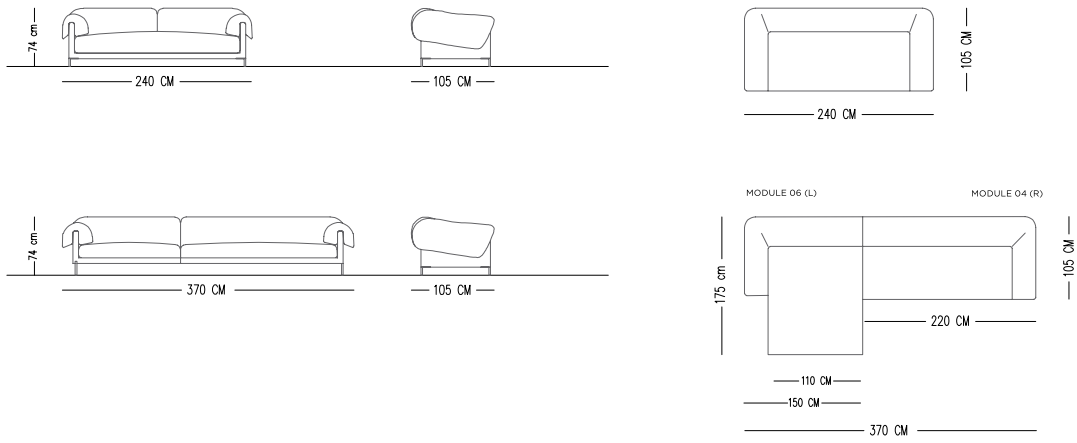
BACK GOOSE DOWN AND FIBER

UPHOLSTERY TIGHT

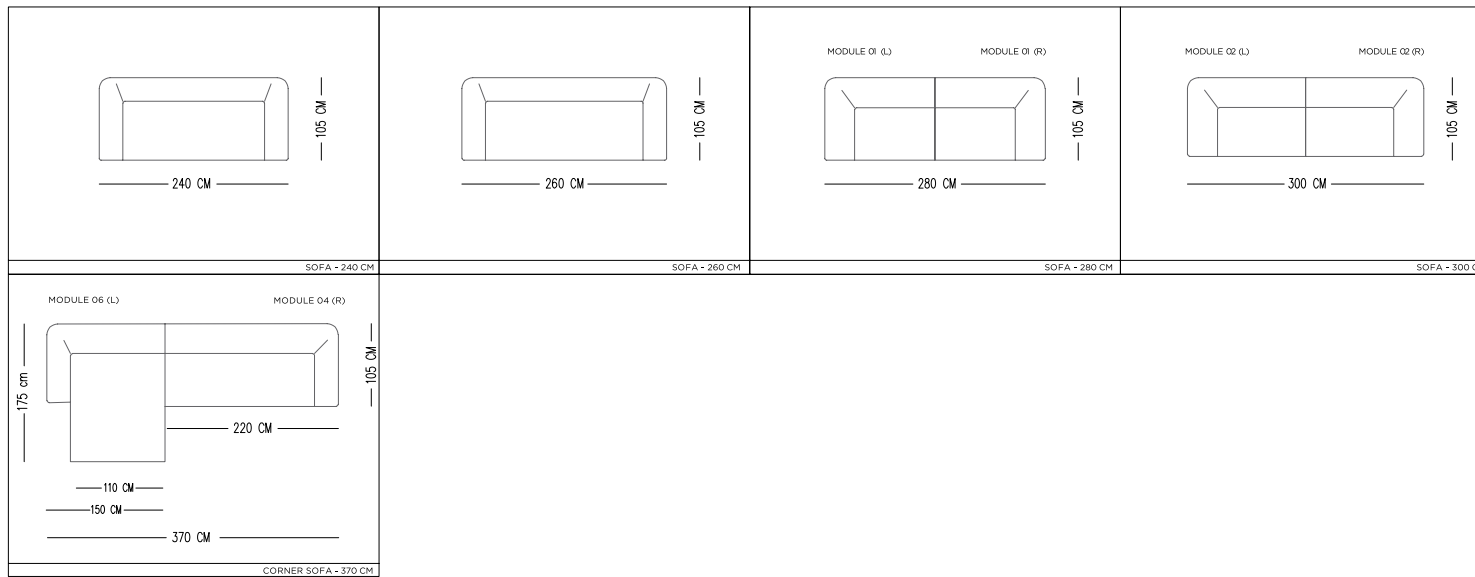
MAINTENANCE ALL DECORATIVE CUSHIONS ARE GOOSE DOWN AND SILICON MIX. QUANTITY AND DIMENSIONS ARE AS PER TECHNICAL DRAWINGS..STANDART WITH 4 CUSHIONS

We recommend shaking and fluffing-up the cushions regularly to maintain the shape. This should be done after removing the cushions from the structure for improved air circulation. For maintenance of fabric and leather, please contact your retailer.

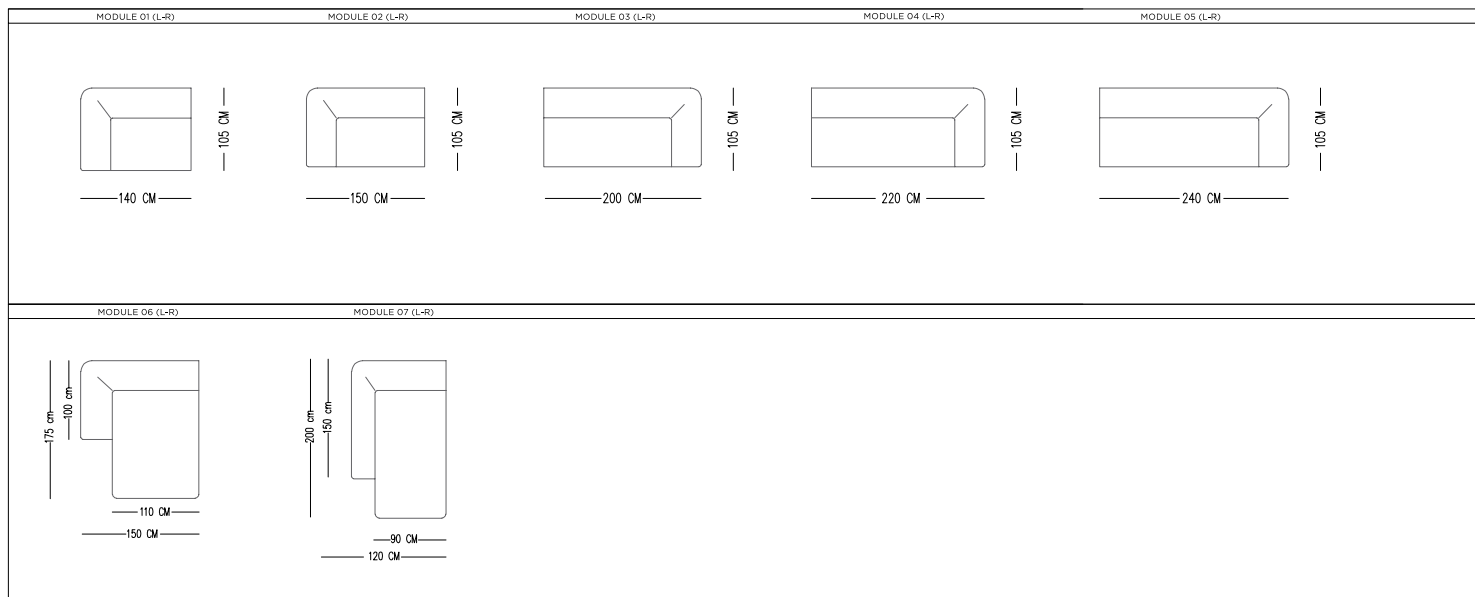




STANDARDS



MODULES



Catalog product-fabric

Catalog product-Legs

Fabric Matrix

Material Catalogue

N-B11/Linen

Electrostatic Powder Black Paint On Metal



2103

Alternative fabric
Linen, Boucle and Linen teddy



ANGE SOFA

Norde

TECHNICAL SPECIFICATIONS

Designed by
Norde Design Studio

INTERIOR STRUCTURE BEECH WOOD AND ELASTIC COLUMN

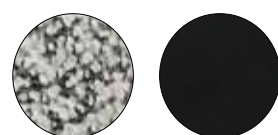
SEAT CUSHION 35 DNS SOFT FOAM AND FIBER

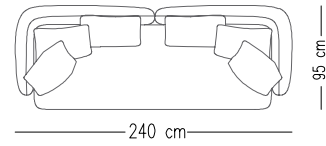
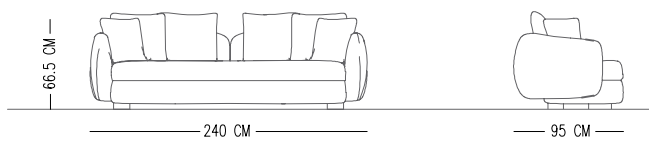
BACK FIBER MIX

UPHOLSTERY TIGHT

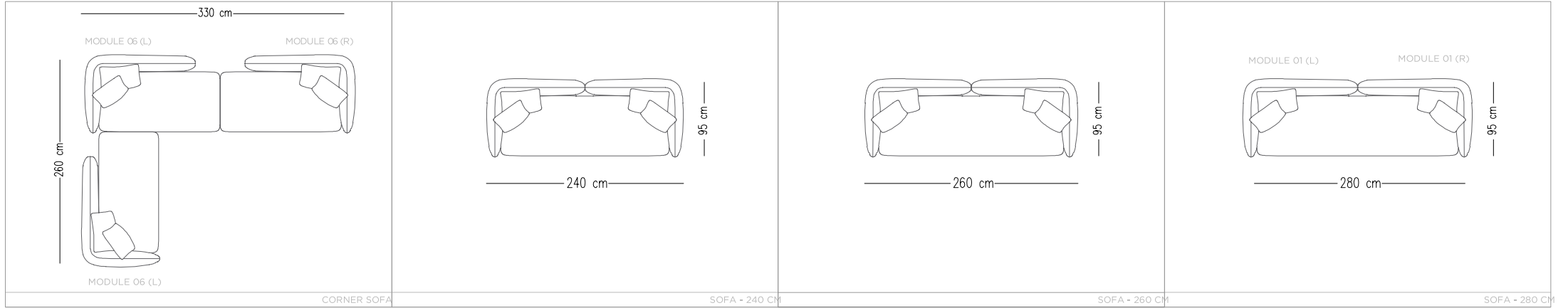
MAINTENANCE ALL DECORATIVE CUSHIONS ARE GOOSE DOWN AND SILICON MIX, QUANTITY AND DIMENSIONS ARE AS PER TECHNICAL DRAWINGS. STANDART WITH 3 CUSHIONS 55*55, 3 CUSHIONS 45*45.

We recommend shaking and fluffing-up the cushions regularly to maintain the shape. This should be done after removing the cushions from the structure for improved air circulation. For maintenance of fabric and leather, please contact your retailer.

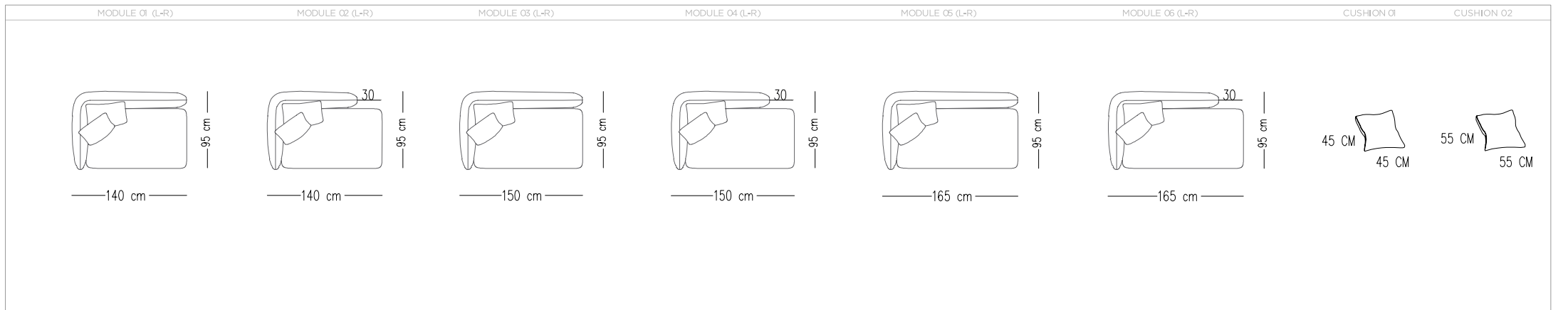




STANDARDS



MODULES



Catalog product-fabric

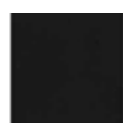
N-A11/Boucle



53323

Catalog product-Legs

Black Painted Metal



Fabric Matrix



Material Catalogue



Alternative fabric
Linen, Linen teddy, Suede and Boucle



PIETRA SOFA

Norde

TECHNICAL SPECIFICATIONS

Designed by
Norde Design Studio

INTERIOR STRUCTURE FRAME BEECH AND ELASTIC COLUMN

SEAT CUSHION 28 DNS GREY FOAM

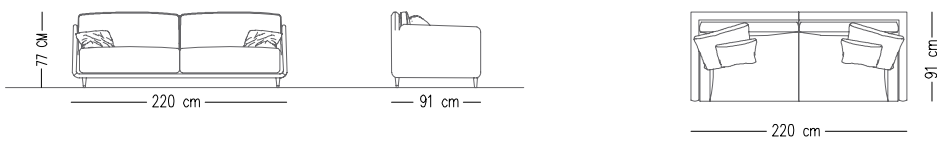
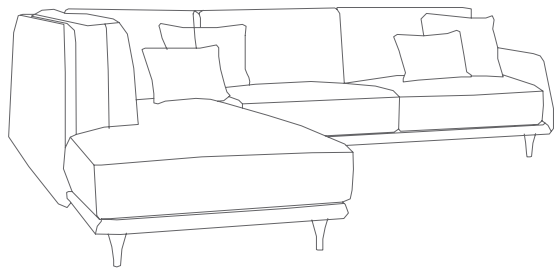
BACK GOOSE DOWN AND FIBER MIX

UPHOLSTERY TIGHT

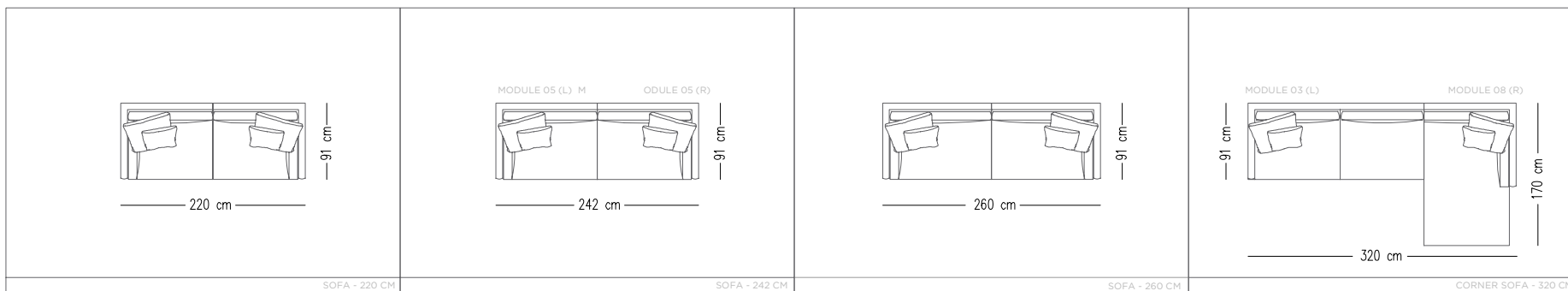
MAINTENANCE ALL DECORATIVE CUSHIONS ARE GOOSE DOWN AND SILICON MIX, QUANTITY AND DIMENSIONS ARE AS PER TECHNICAL DRAWINGS. STANDART WITH 4 CUSHIONS 45*45, 3 CUSHIONS 35*50

We recommend shaking and fluffing-up the cushions regularly to maintain the shape. This should be done after removing the cushions from the structure for improved air circulation. For maintenance of fabric and leather, please contact your retailer.

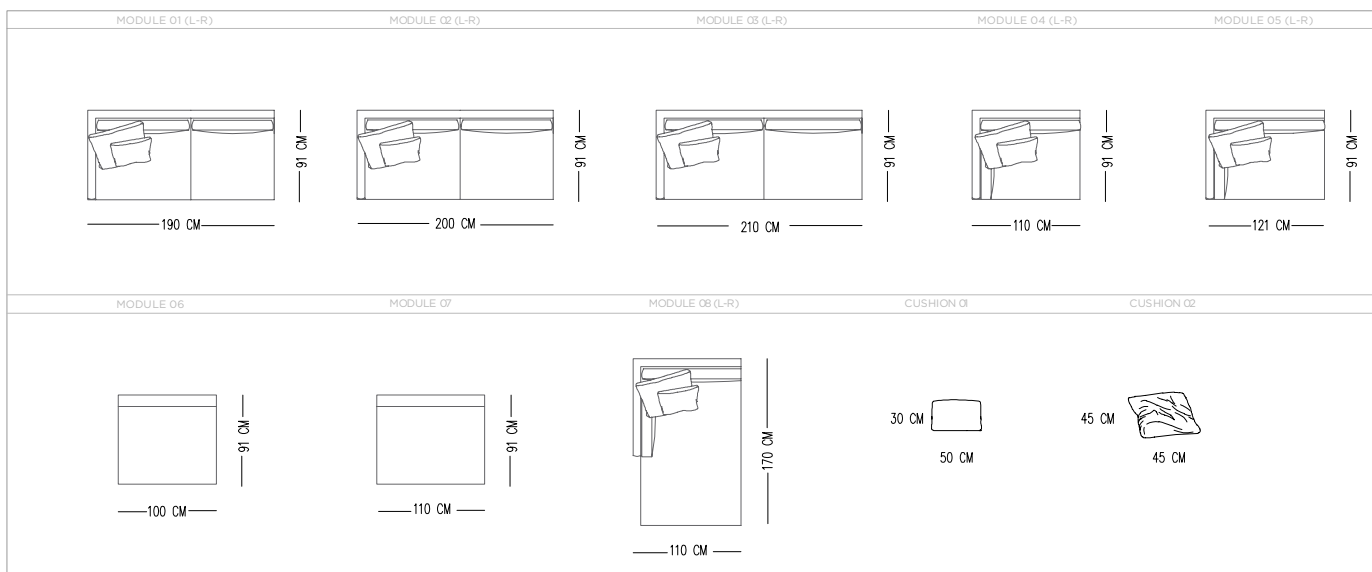




STANDARDS



MODULES



Catalog product-fabric

NB-32-Linen



213-13

Alternative fabric
Linen and Boucle

Catalog product-Legs

Wood black and brass old detail



Fabric Matrix



Material Catalogue



STRONG PERSONALITY
AND GREAT COMFORT







YUI ARMCHAIR

TECHNICAL SPECIFICATIONS

Norde

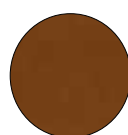
Designed by
Gülsah Soygür

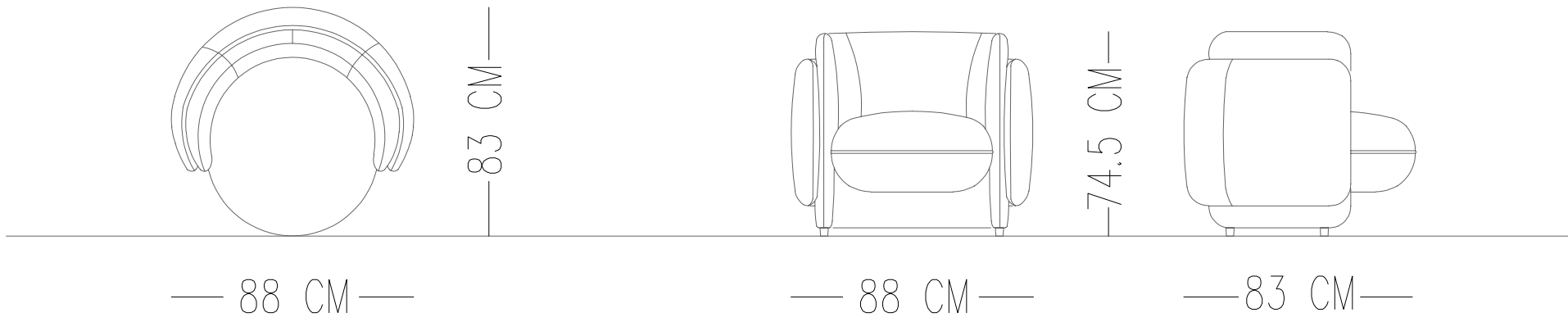
INTERIOR STRUCTURE SOLID WOOD & PAPEL AND ELASTIC COLUMN

SEAT CUSHION HIGH RESILIENT FOAM

BACK GOOSE DOWN AND FIBER

UPHOLSTERY LEATHER / FABRIC (TIGHT)





Catalog product-fabric

N-B45/Nubuck



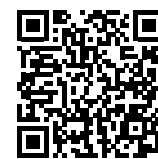
501

Alternative fabric
Linen, Boucle, Faux leather and Linen teddy

Catalog product-Legs

Hidden leg

Fabric Matrix



Material Catalogue





TOM ARMCHAIR

TECHNICAL SPECIFICATIONS

Norde

Designed by
Ahmet Kaleli

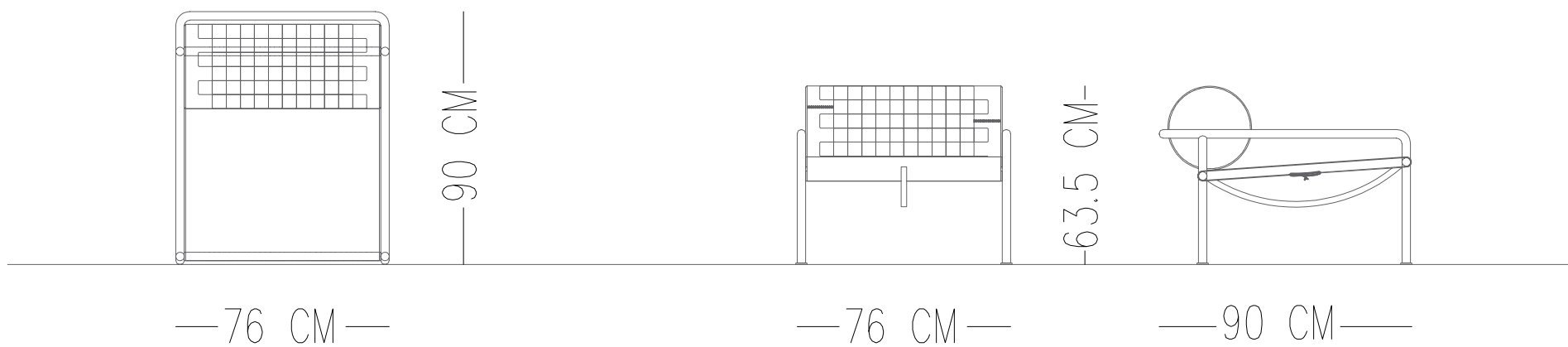
INTERIOR STRUCTURE SOLID WOOD & PAPEL AND ELASTIC COLUMN

SEAT CUSHION HIGH RESILIENT FOAM

BACK GOOSE DOWN AND FIBER

UPHOLSTERY LEATHER / FABRIC (TIGHT)





Catalog product-fabric

N-A36/Leather



Catalog product-Legs

Chromium



Fabric Matrix



Material Catalogue



Alternative fabric
Fabrics only N-A36 are available for this model



VIBE ARMCHAIR

TECHNICAL SPECIFICATIONS

Norde

Designed by
Samet Baker

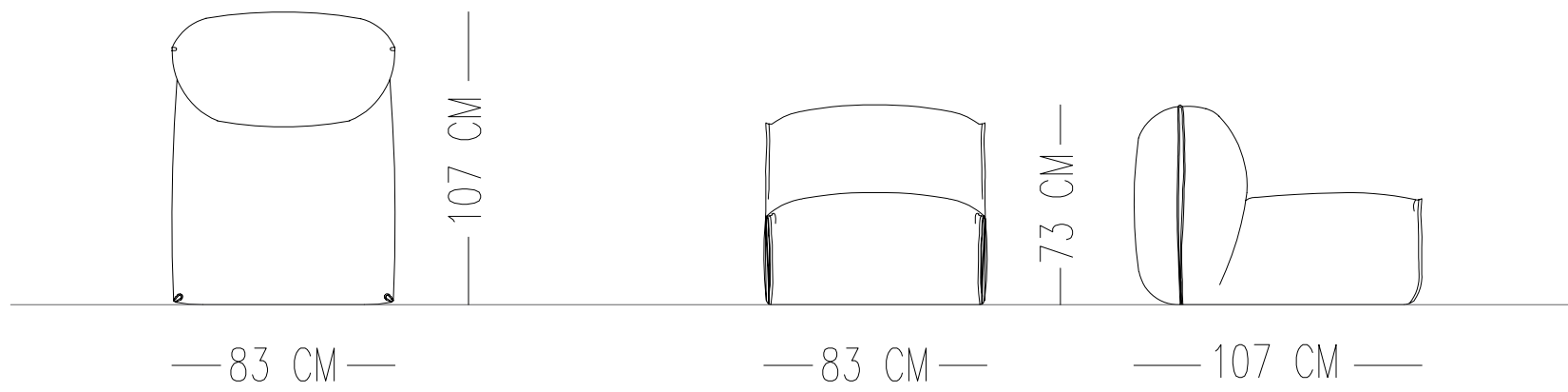
INTERIOR STRUCTURE SOLID WOOD AND ELASTIC COLUMN

SEAT CUSHION HIGH RESILIENT FOAM

BACK GOOSE DOWN AND FIBER

UPHOLSTERY TIGHT





Catalog product-fabric

N-A40/Linen



Nata

Alternative fabric
Linen,Curl and Plush Linen

Catalog product-Legs

Hidden leg

Fabric Matrix



Material Catalogue





LOTUS ARMCHAIR

TECHNICAL SPECIFICATIONS

Norde

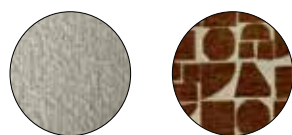
Designed by
Tugce Kurtbogan

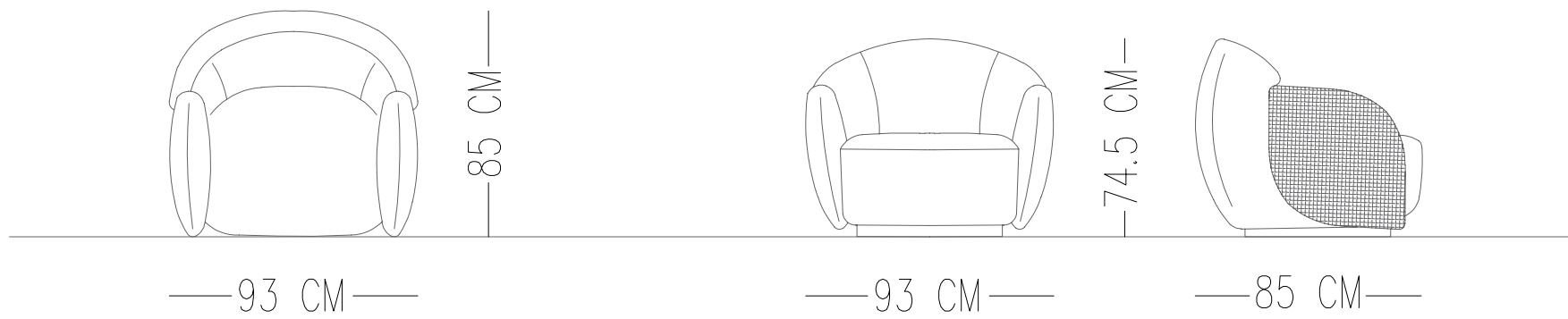
INTERIOR STRUCTURE BEECH HARDWOOD FRAME AND ZIGZAG BOW

SEAT CUSHION 35 DNS SOFT FOAM AND FIBER

BACK GOOSE DOWN AND FIBER

UPHOLSTERY TIGHT





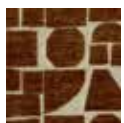
Catalog product-fabric

N-B29/Linen



01

N-C50/Linen



3049

Alternative fabric
xxxx

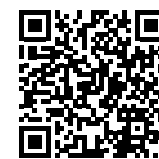
Catalog product-Legs

Hidden leg

Fabric Matrix



Material Catalogue





PRIMA ARMCHAIR

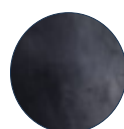
TECHNICAL SPECIFICATIONS

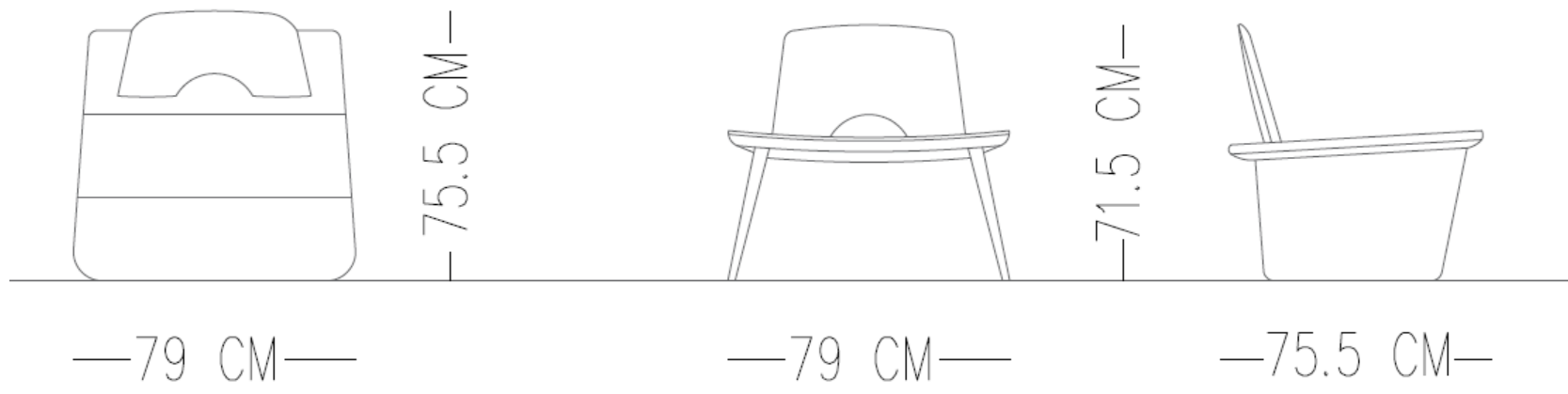
Norde

Designed by
Norde Design Studio

STRUCTURE

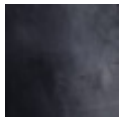
TEAK WOOD BLACK FINISHES





Catalog product-fabric

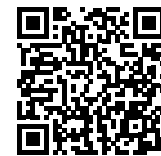
Teak wood



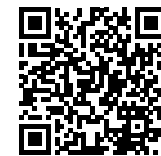
Transparent black finishes

Alternative material
Teak wood natural teak color varnish

Fabric Matrix



Material Catalogue





MONA ARMCHAIR

TECHNICAL SPECIFICATIONS

Norde

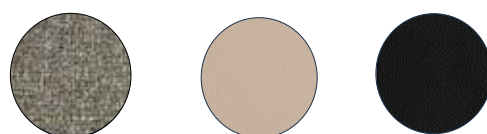
Designed by
Tugce Kurtbogaz

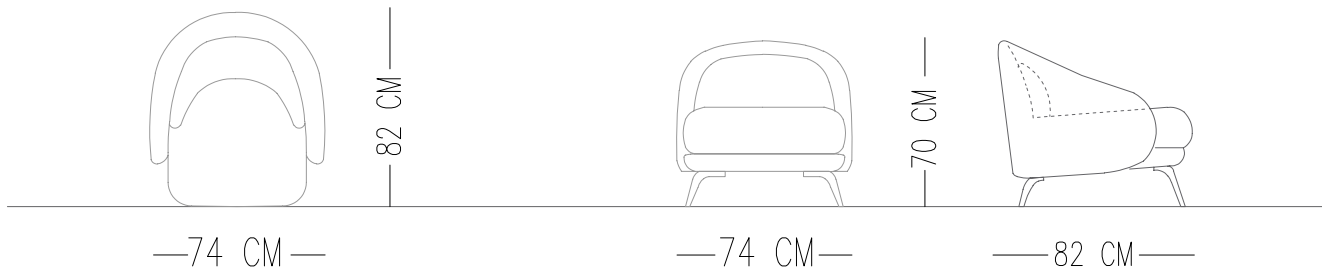
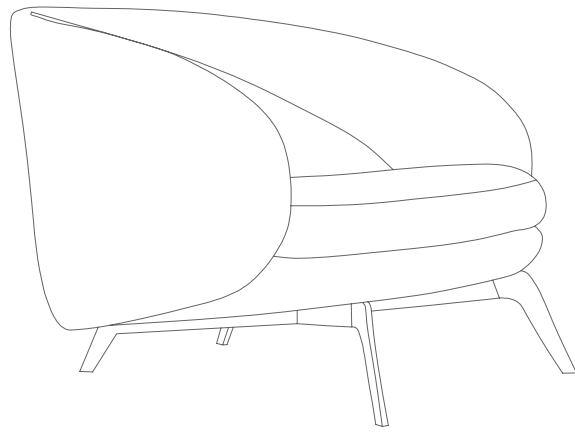
INTERIOR STRUCTURE SOLID WOOD & PAPEL AND ELASTIC COLUMN

SEAT CUSHION HIGH RESILIENT FOAM

BACK GOOSE DOWN & FIBER

UPHOLSTERY LEATHER / FABRIC (TIGHT)





Catalog product-fabric

NB-39-Linen



2134

Leather

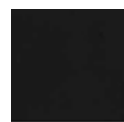


43497

Alternative fabric
Linen&Faux leather,Linen&Leather
Linen,Faux leather and Leather

Catalog product-Legs

Black painted metal leg



Fabric Matrix



Material Catalogue





RITA ARMCHAIR

TECHNICAL SPECIFICATIONS

Norde

Designed by
Norde Design Studio

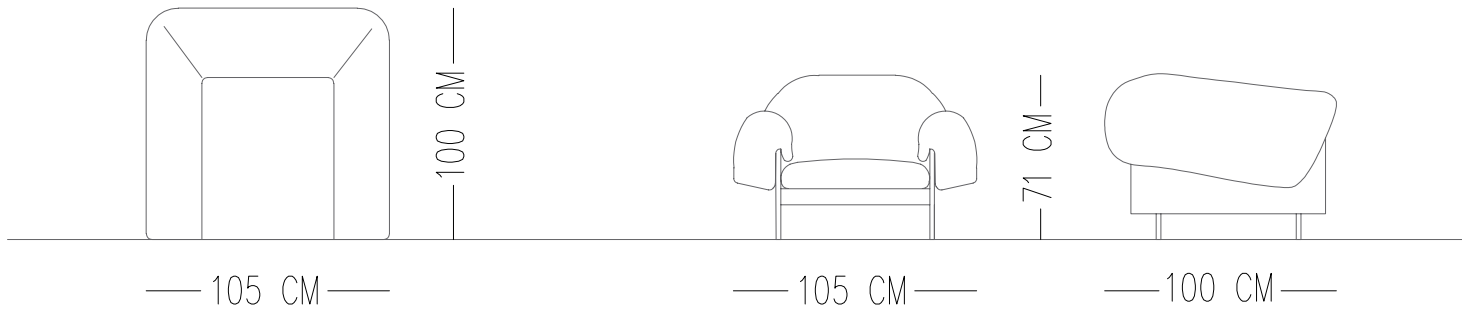
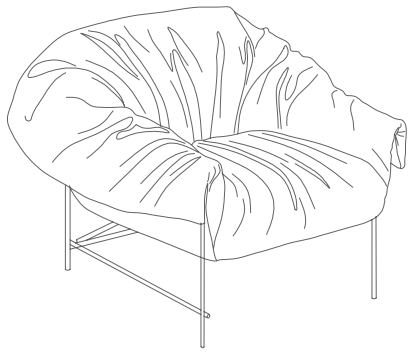
INTERIOR STRUCTURE SOLID WOOD AND ZIGZAG BOW

SEAT CUSHION GOOSE DOWN & FIBER

BACK GOOSE DOWN AND FIBER

UPHOLSTERY LOOSE





Catalog product-fabric

N-B28/Boucle



15

Alternative fabric
Linen, Boucle and Linen teddy

Catalog product-Legs

Black Painted Metal Legs



Fabric Matrix



Material Catalogue





LORA ARMCHAIR

TECHNICAL SPECIFICATIONS

Norde

Designed by
Norde Design Studio

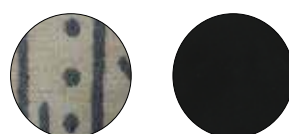
INTERIOR STRUCTURE SOLID WOOD AND ELASTIC COLUMN

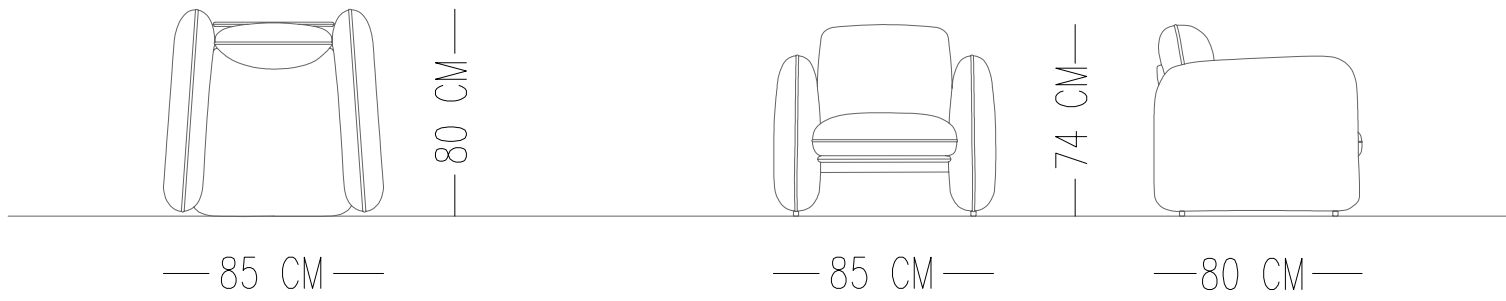
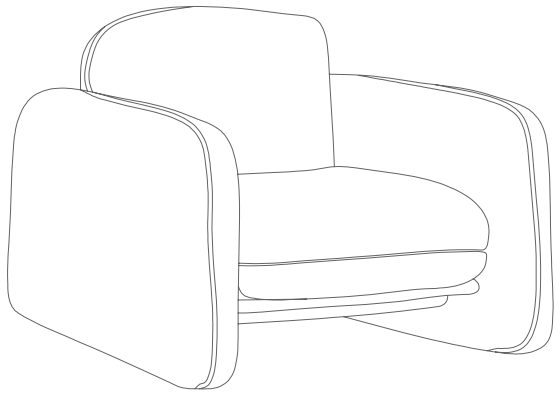
SEAT CUSHION HIGH RESILIENT FOAM

BACK GOOSE DOWN & FIBER

UPHOLSTERY TIGHT

MAINTENANCE We recommend shaking and fluffing-up the cushions regularly to maintain the shape. This should be done after removing the cushions from the structure for improved air circulation. For maintenance of fabric and leather, please contact your retailer.





Catalog product-fabric

N-B19/Linen



03

Alternative fabric
Boucle,Linen and Linen teddy

Catalog product-Legs

Hidden Leg

Fabric Matrix



Material Catalogue





AUDREY ARMCHAIR

Norde

TECHNICAL SPECIFICATIONS

Designed by
Norde Design Studio

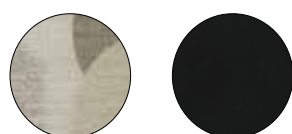
INTERIOR STRUCTURE SOLID WOOD & PAPEL AND ZIGZAG BOW

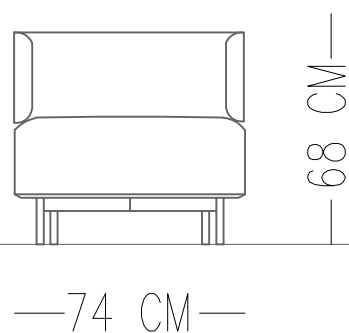
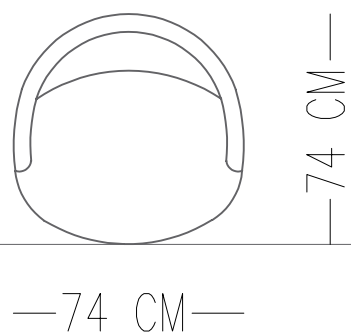
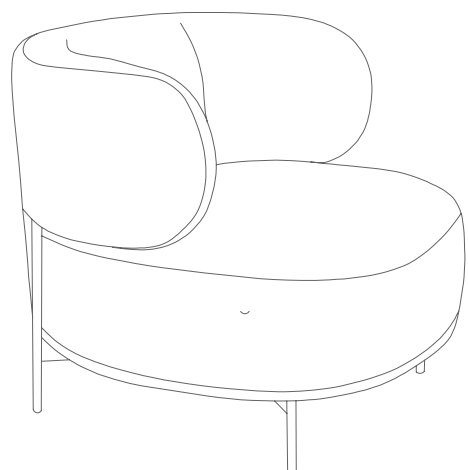
SEAT CUSHION HIGH RESILIENT FOAM

BACK CUSHION 100% DOWN/FEATHERS

UPHOLSTERY TIGHT

MAINTENANCE We recommend shaking and fluffing-up the cushions regularly to maintain the shape. This should be done after removing the cushions from the structure for improved air circulation. For maintenance of fabric and leather, please contact your retailer.





Catalog product-fabric

N-B22/Linen



01

Alternative fabric
Boucle, Linen and Linen teddy

Catalog product-Legs

Black painted metal leg



Fabric Matrix



Material Catalogue





CLEMENTINE ARMCHAIR

TECHNICAL SPECIFICATIONS

Norde

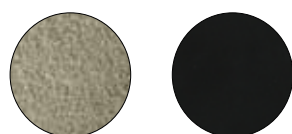
Designed by
Norde Design Studio

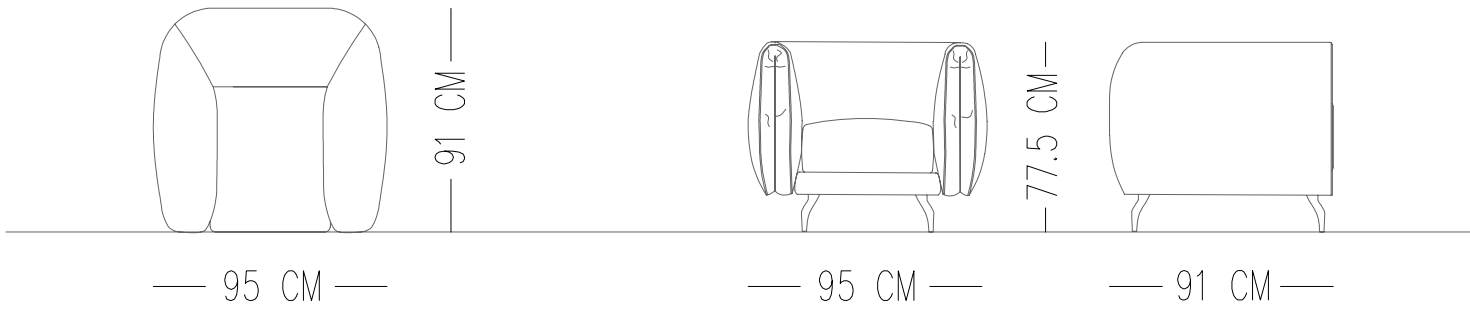
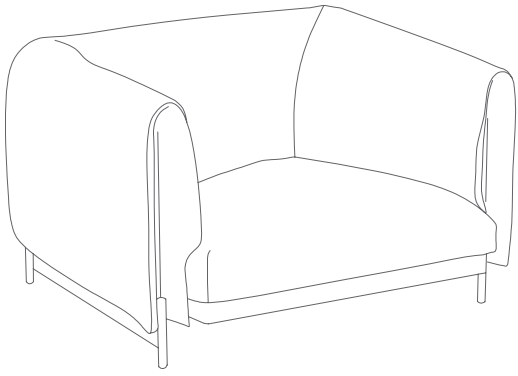
INTERIOR STRUCTURE SOLID WOOD AND ELASTIC COLUMN

SEAT CUSHION HIGH RESILIENT FOAM

BACK GOOSE DOWN AND FIBER

UPHOLSTERY LOOSE





Catalog product-fabric

N-C18/Boucle

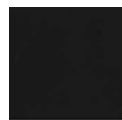


22297-20

Alternative fabric
Linen, Boucle, Faux leather, Nubuck, and Linen teddy

Catalog product-Legs

Black Painted Metal Legs



Fabric Matrix



Material Catalogue





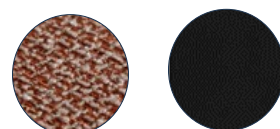
OLIVER

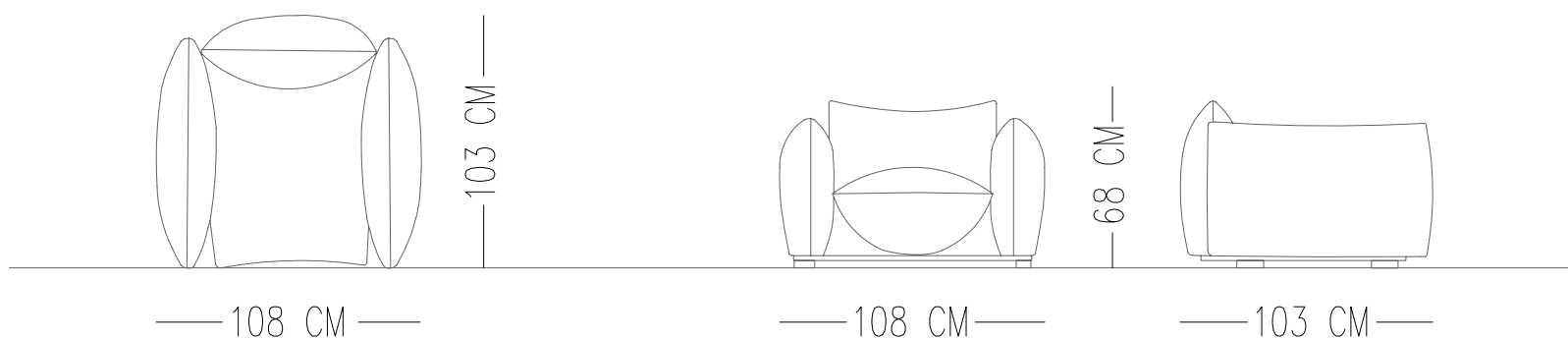
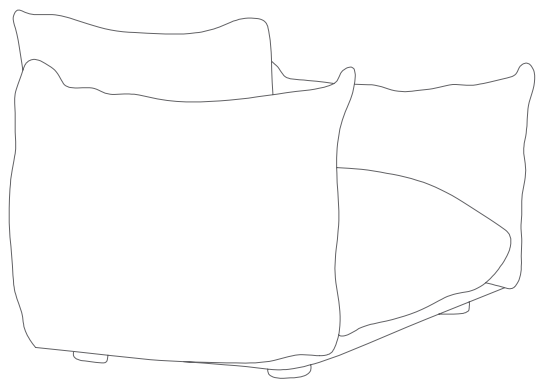
TECHNICAL SPECIFICATIONS

Norde

Designed by
Norde Design Studio

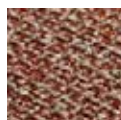
INTERIOR STRUCTURE	BEECH HARDWOOD FRAME AND ELASTIC COLUMN
SEAT CUSHION	HIGH RESILIENT FOAM
BACK	GOOSE DOWN & FIBER
UPHOLSTERY	TIGHT
MAINTENANCE	ALL DECORATIVE CUSHIONS ARE %100 GOOSE DOWN, QUANTITY AND DIMENSIONS ARE AS PER TECHNICAL DRAWING We recommend shaking and fluffing-up the cushions regularly to maintain the shape. This should be done after removing the cushions from the structure for improved air circulation. For maintenance of fabric and leather, please contact your retailer





Catalog product-fabric

NB21-Linen



02

Alternative fabric
Boucle, Linen and Linen teddy

Catalog product-Legs

Black painted metal leg



Fabric Matrix



Material Catalogue





RIO ARMCHAIR

Norde

TECHNICAL SPECIFICATIONS

Designed by
Norde Design Studio

INTERIOR STRUCTURE SOLID WOOD AND ZIGZAG BOW

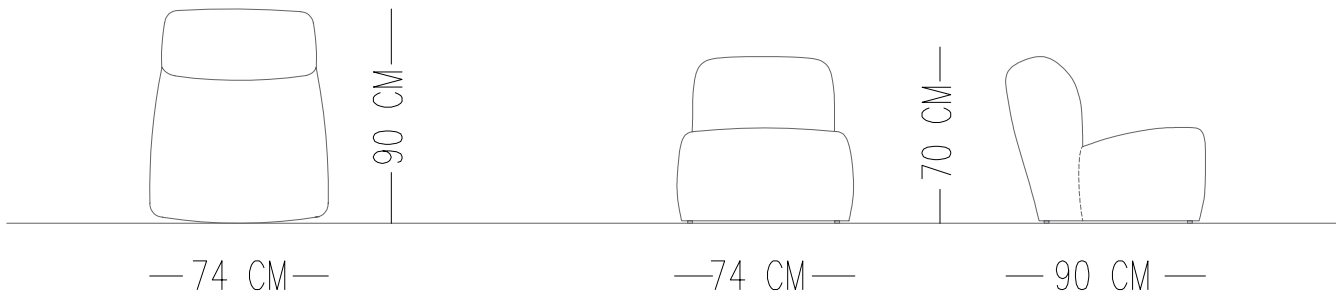
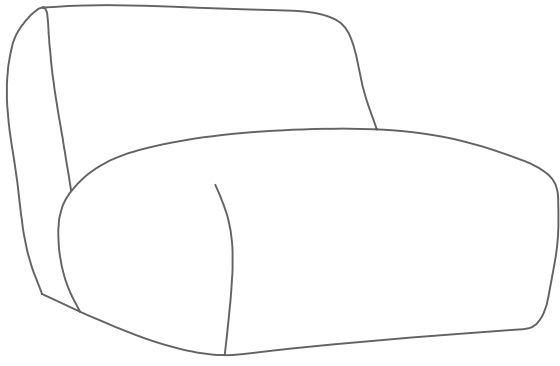
SEAT CUSHION GOOSE DOWN & FIBER

BACK GOOSE DOWN & FIBER

UPHOLSTERY LOOSE

MAINTENANCE We recommend shaking and fluffing-up the cushions regularly to maintain the shape. This should be done after removing the cushions from the structure for improved air circulation. For maintenance of fabric and leather, please contact your retailer.





Catalog product-fabric

N-A25/Linen teddy



08

Alternative fabric
Boucle,Linen and Linen teddy

Catalog product-Legs

Hidden Leg



Fabric Matrix



Material Catalogue





BEAR ARMCHAIR

TECHNICAL SPECIFICATIONS

Norde

Designed by
Norde Design Studio

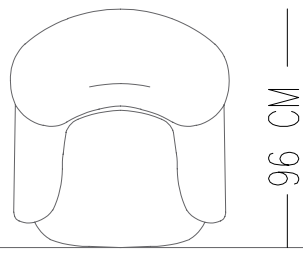
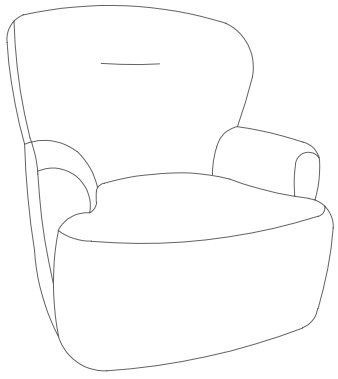
INTERIOR STRUCTURE SOLID WOOD, STEEL AND ELASTIC COLUMN

SEAT CUSHION GOOSE DOWN AND FIBER MIX

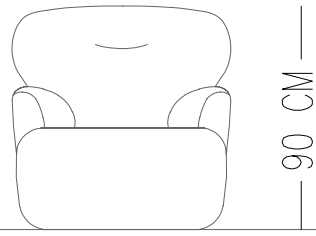
BACK BACK CUSHION 100% DOWN/FEATHERS

UPHOLSTERY TIGHT

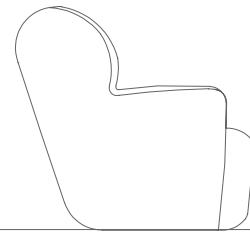




— 88 CM —



— 88 CM —



— 96 CM —

Catalog product-fabric

N-A16/Linen teddy



44423

Alternative fabric
Boucle,Linen and Linen teddy

Catalog product-Legs

Hidden leg

Fabric Matrix



Material Catalogue





MARSEIL

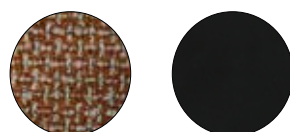
Norde

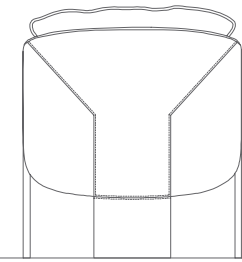
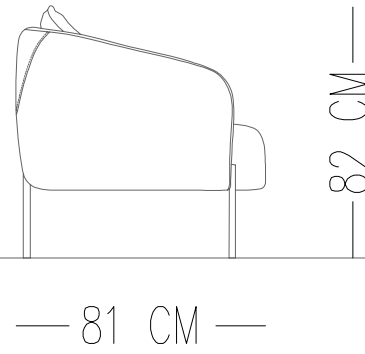
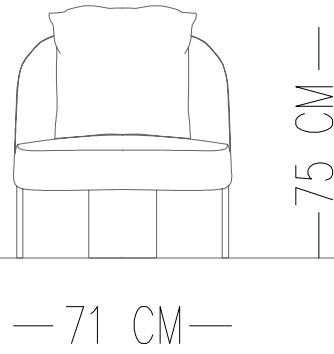
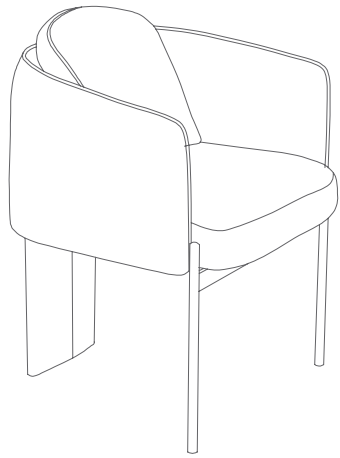
TECHNICAL SPECIFICATIONS

Designed by
Norde Design Studio

INTERIOR STRUCTURE	SOLID WOOD & PAPEL AND ELASTIC COLUMN
SEAT CUSHION	HIGH RESILIENT FOAM
BACK	GOOSE DOWN & FIBER
UPHOLSTERY	TIGHT
MAINTENANCE	ALL DECORATIVE CUSHIONS ARE %100 GOOSE DOWN, QUANTITY AND DIMENSIONS ARE AS PER TECHNICAL DRAWING

We recommend shaking and fluffing-up the cushions regularly to maintain the shape.
This should be done after removing the cushions from the structure for improved air circulation.
For maintenance of fabric and leather, please contact your retailer





Alternative fabric

N-B21/Linen



02

Linen&Faux leather,Linen& Leather
Boucle&Faux leather,Boucle & Leather
Linen teddy&Faux leather, Linen teddy & Leather
Linen,Faux leather,Boucle,Linen teddy and Leather

Catalog product-Legs

Black painted metal leg



Fabric Matrix



Material Catalogue





BULUT ARMCHAIR

TECHNICAL SPECIFICATIONS

Norde

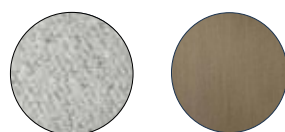
Designed by
Norde Design Studio

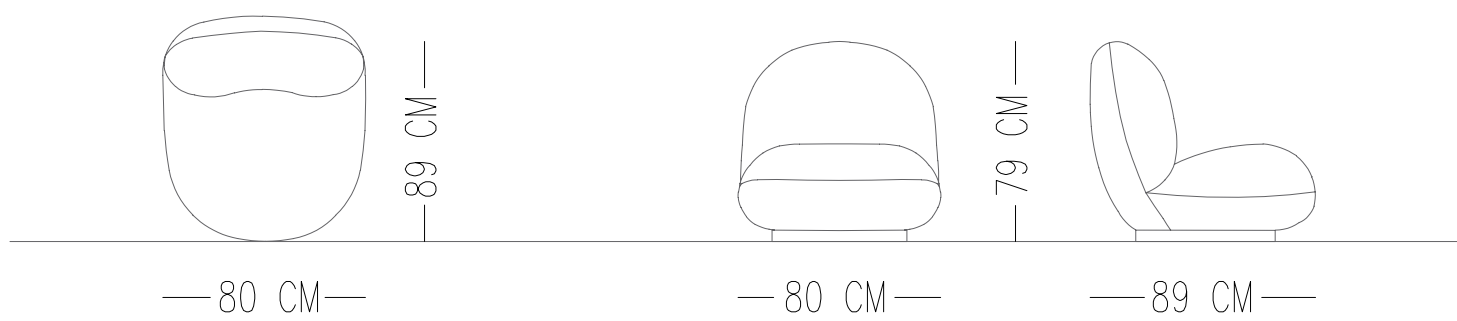
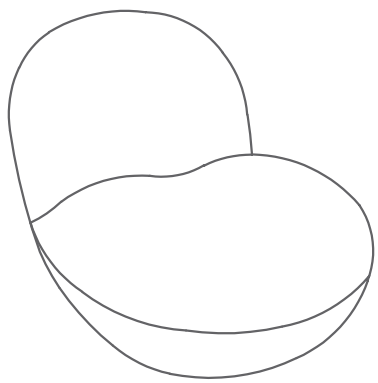
INTERIOR STRUCTURE SOLID WOOD, STEEL AND MDF WITH ZIGZAG BOW

SEAT CUSHION HIGH RESILIENT FOAM & DOWNTOP

BACK BACK CUSHION 100% DOWN/FEATHERS

UPHOLSTERY TIGHT





Catalog product-fabric

N-A16/Linen teddy



46860

Alternative fabric
Boucle,Linen and Linen teddy

Catalog product-Legs

Wooden base brass polish



Fabric Matrix



Material Catalogue





CHERRY ARMCHAIR

TECHNICAL SPECIFICATIONS

Norde

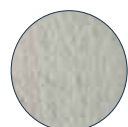
Designed by
Norde Design Studio

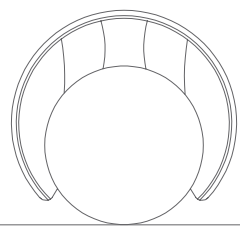
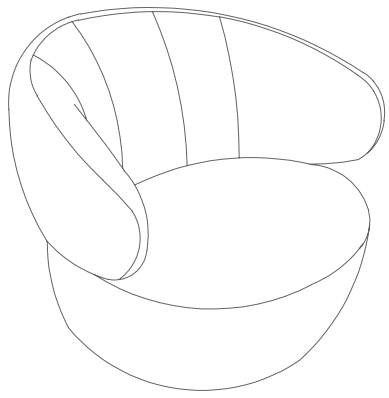
INTERIOR STRUCTURE SOLID WOOD, STEEL AND MDF WITH ZIGZAG BOW

SEAT CUSHION HIGH RESILIENT FOAM & DOWNTOP

BACK BACK CUSHION 100% DOWN/FEATHERS

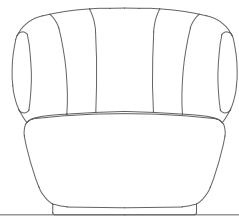
UPHOLSTERY TIGHT





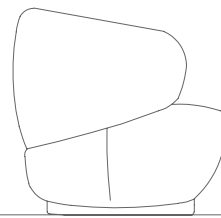
— 85 CM —

81 CM



— 85 CM —

78 CM



— 81 CM —

Catalog product-fabric

N-A20/Boucle



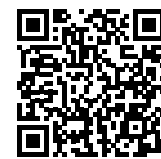
DLY 01

Alternative fabric
Boucle, Linen and Linen teddy

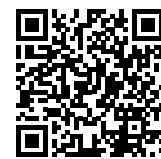
Catalog product-Legs

Swivel Mechanism

Fabric Matrix



Material Catalogue





EVA ARMCHAIR

Norde

TECHNICAL SPECIFICATIONS

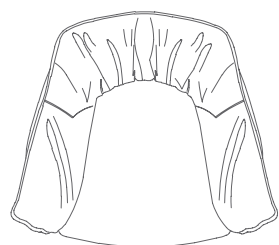
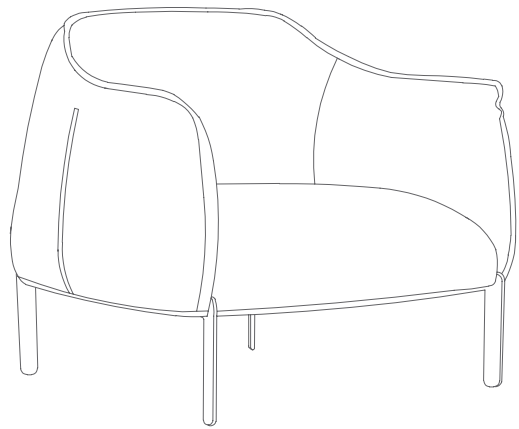
Designed by
Norde Design Studio

INTERIOR STRUCTURE FRAME BEECH CONTRA, STEEL AND ELASTIC COLUMN

BACK BACK CUSHION 100% DOWN/FEATHERS

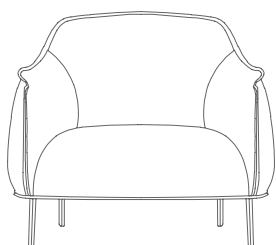
UPHOLSTERY LOOSE





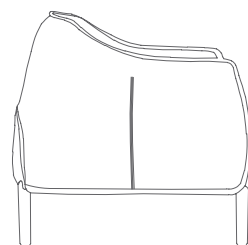
— 85 CM —

75 CM



— 85 CM —

75 CM



— 75 CM —

Catalog product-fabric

N-C13/Faux leather



339

Alternative fabric
Linen, Nubuck, Leather, Faux leather and Suede

Catalog product-Legs

Black painted metal leg



Fabric Matrix



Material Catalogue





NASCAR ARMCHAIR

TECHNICAL SPECIFICATIONS

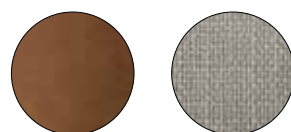
Norde

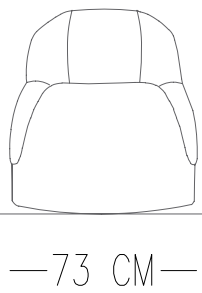
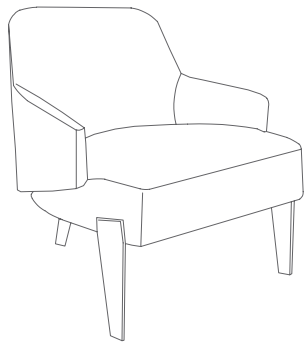
Designed by
Norde Design Studio

INTERIOR STRUCTURE SOLID WOOD, STEEL AND ELASTIC COLUMN

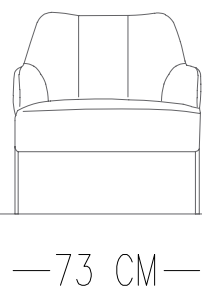
SEAT CUSHION BACK CUSHION 100% DOWN/FEATHERS

BACK TIGHT





—80 CM—



—78.5 CM—



Catalog product-fabric

N-D10/Faux leather



23512

Alternative fabric
Linen, Nubuck, Chenille, Faux leather and
Leather

Catalog product-Legs

Aged brass metal



Fabric Matrix



Material Catalogue





NORA ARMCHAIR

Norde

TECHNICAL SPECIFICATIONS

Designed by
Norde Design Studio

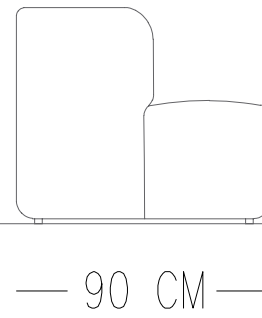
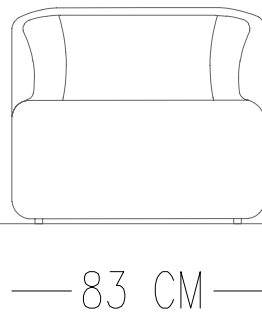
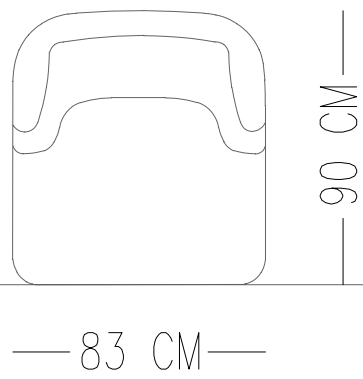
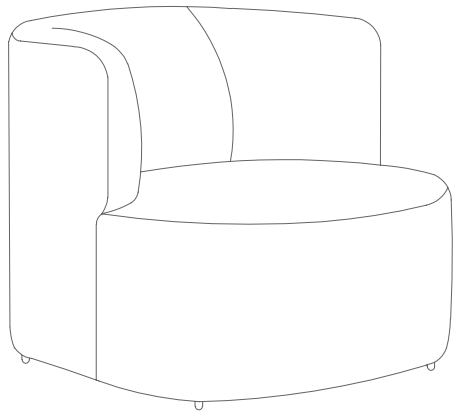
INTERIOR STRUCTURE SOLID WOOD, STEEL AND ELASTIC COLUMN

SEAT CUSHION HIGH RESILIENT FOAM & DOWNTOP

BACK BACK CUSHION 100% DOWN/FEATHERS

UPHOLSTERY TIGHT





Catalog product-fabric

N-B13/Linen



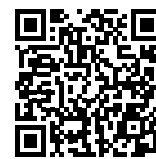
Krem 86-15

Alternative fabric
Linen, Nubuck, Faux leather and Suede

Catalog product-Legs

Hidden Leg

Fabric Matrix



Material Catalogue





NORDEN ARMCHAIR

Norde

TECHNICAL SPECIFICATIONS

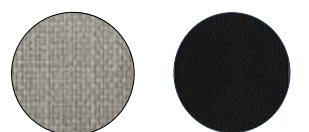
Designed by
Norde Design Studio

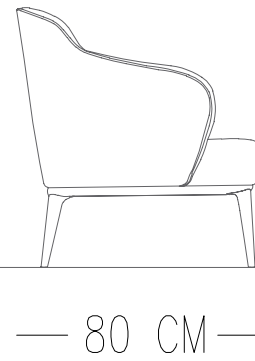
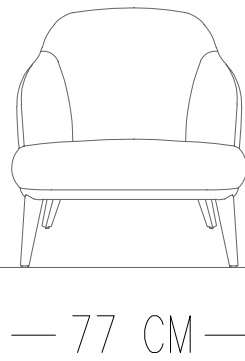
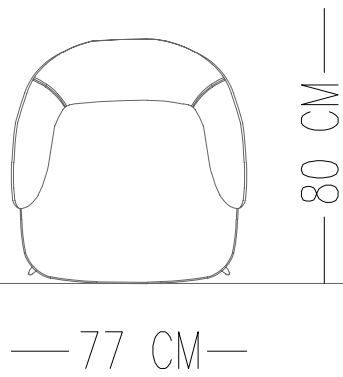
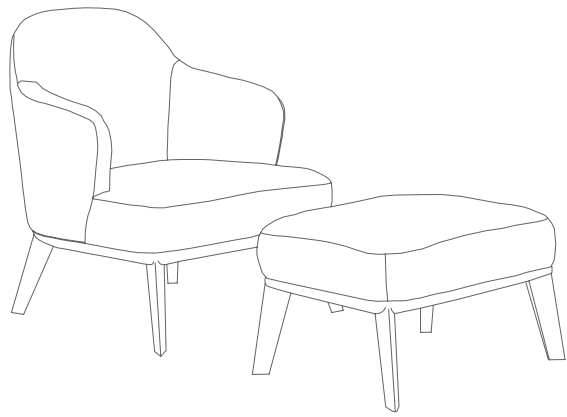
INTERIOR STRUCTURE SOLID WOOD, STEEL AND MDF WITH ZIGZAG BOW

SEAT CUSHION HIGH RESILIENT FOAM & DOWNTOP

BACK BACK CUSHION 100% DOWN/FEATHERS

UPHOLSTERY TIGHT





Catalog product-fabric

N-D13/Linen



1002

Alternative fabric

Linen&Faux leather,Linen&Leather
 Boucle&Faux leather,Boucle &Leather
 Linen teddy&Faux leather,Linen teddy&Leather
 Linen,Faux leather,Boucle, Linen teddy and Leather

Catalog product-Legs

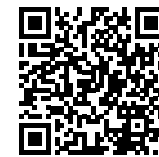
Black Wood



Fabric Matrix



Material Catalogue





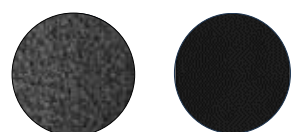
ZETA ARMCHAIR

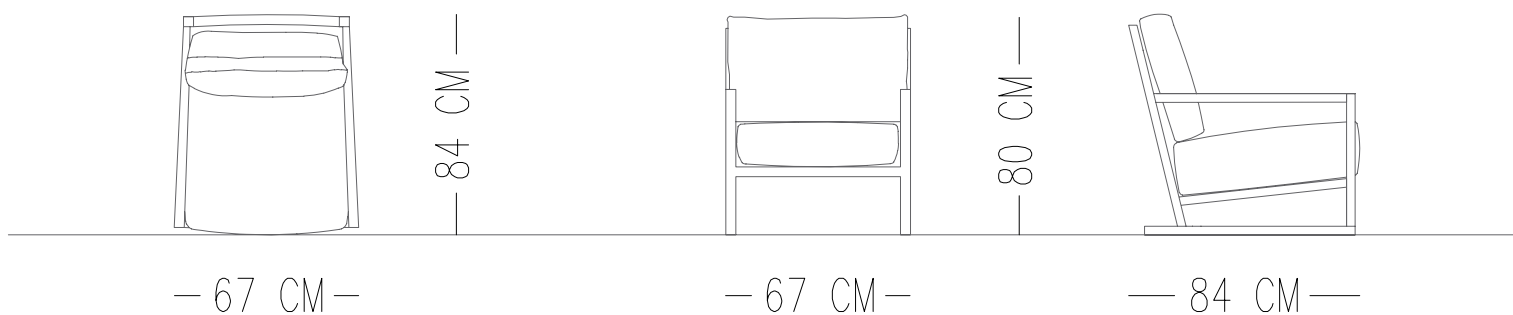
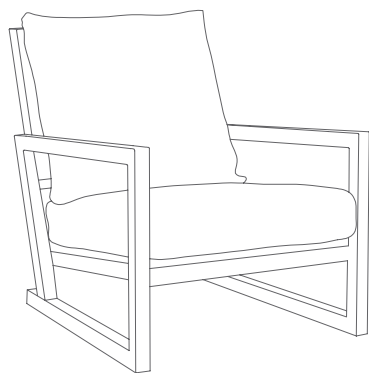
Norde

TECHNICAL SPECIFICATIONS

Designed by
Norde Design Studio

STRUCTURE INTERIOR	SOLID WOOD, STEEL AND ELASTIC COLUMN
STRUCTURE PADDING	35 DNS SOFT FOAM ON PAD GOOSE DOWN
SEAT CUSHION	HIGH RESILIENT FOAM & DOWNTOP
BACK	BACK CUSHION 100% DOWN/FEATHERS
UPHOLSTERY	LOOSE
MAINTENANCE	ALL DECORATIVE CUSHIONS ARE %100 GOOSE DOWN, QUANTITY AND DIMENSIONS ARE AS PER TECHNICAL DRAWING We recommend shaking and fluffing-up the cushions regularly to maintain the shape. This should be done after removing the cushions from the structure for improved air circulation. For maintenance of fabric and leather, please contact your retailer.





Catalog product-fabric

N-B29/Linen



08

Alternative fabric
Linen, Linen teddy, Boucle, Nubuck, Velvet,
Faux leather, Leather and Suede

Catalog product-Legs

Wood black oak



Fabric Matrix



Material Catalogue





DARI ARMCHAIR

TECHNICAL SPECIFICATIONS

Norde

Designed by
Norde Design Studio

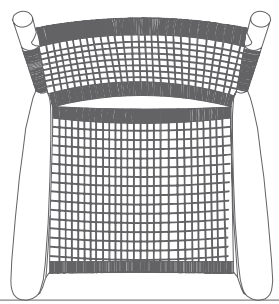
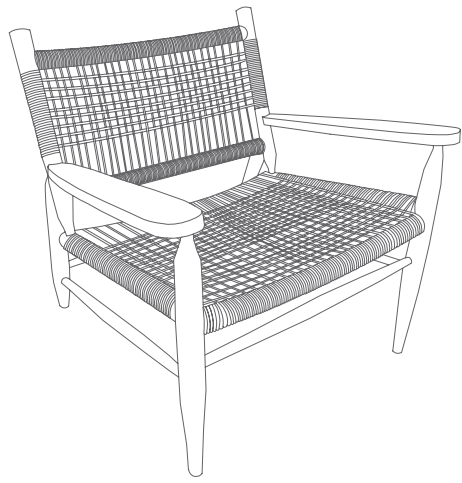
INTERIOR STRUCTURE

IROKO WOOD AND OAK WOOD

LEGS

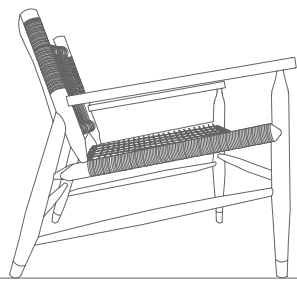
IROKO WOOD AND OAK WOOD





80 CM

—72 CM—



75 CM

—80 CM—

Catalog product-fabric

N-A14/Cotton rope



Brown Rope

Alternative fabric
Linen, Linen teddy, Boucle, Nubuck, Velvet,
Faux leather, Leather and Suede

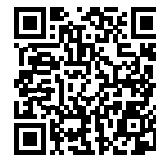
Catalog product-Legs

Ireko wood



Alternative leg
Oak wood

Fabric Matrix



Material Catalogue





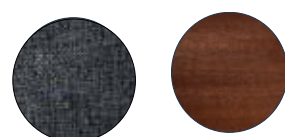
DROP ARMCHAIR

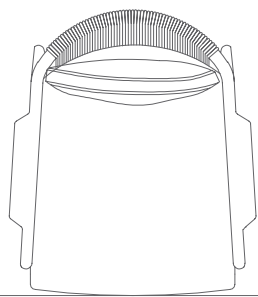
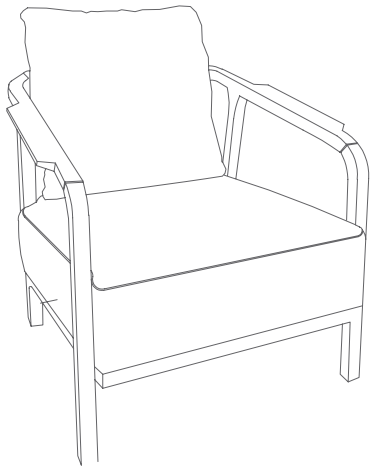
Norde

TECHNICAL SPECIFICATIONS

Designed by
Norde Design Studio

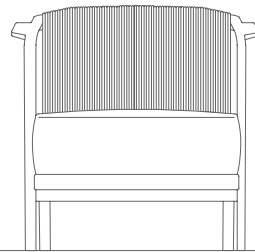
INTERIOR STRUCTURE	IROKO WOOD & 35 DNS FOAM WITH ZIGZAG BOW MATERIAL VARIATION : WOODEN STRUCTURE IS AVAIBALE IN OAK WOOD OR WALNUT WITH NATURAL POLISH
SEAT CUSHION	35 DNS FOAM
BACK	FIBER
UPHOLSTERY	TIGHT
MAINTENANCE	ALL DECORATIVE CUSHIONS ARE %100 GOOSE DOWN, QUANTITY AND DIMENSIONS ARE AS PER TECHNICAL DRAWING We recommend shaking and fluffing-up the cushions regularly to maintain the shape. This should be done after removing the cushions from the structure for improved air circulation. For maintenance of fabric and leather, please contact your retailer.





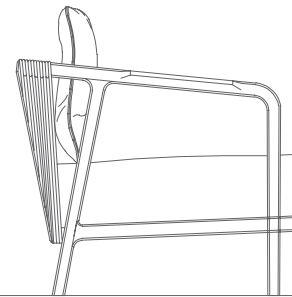
— 70 CM —

81 CM —



— 70 CM —

69.5 CM —



— 81 CM —

82 CM —

Catalog product-fabric

N-B40 Linen



Laci-01

Alternative fabric
Linen, Linen teddy, Boucle, Nubuck, Velvet, Faux leather,
Leather and Suede

Catalog product-Legs

Iroko Hardwood With Natural Polish



Fabric Matrix



Material Catalogue





EXPERIENCE AN EMBRACE OF HOME WITH OUR
ENVELOPING SHAPES AND SHADES, CREATING A
WARM AND INVITING ATMOSPHERE.





YUI COFFEE TABLE

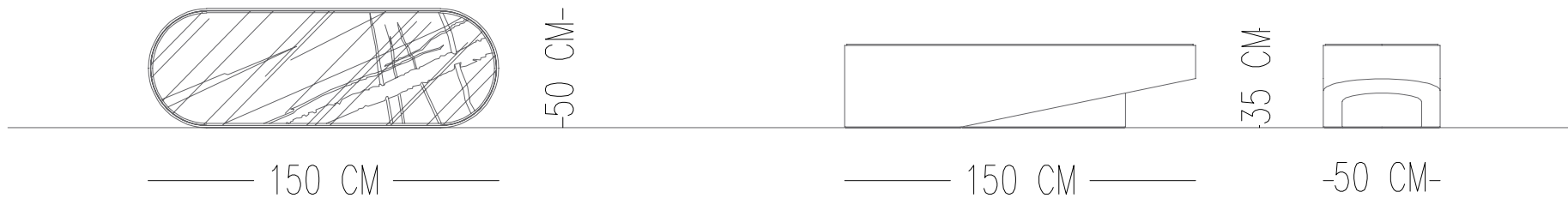
TECHNICAL SPECIFICATIONS

- 1 LAQUER PAINTED SILK MAT COLOR ON WOOD
- 2 GLASS 8 MM
- 3 PORCELAIN CERAMIC-5MM-INCLINED

Norde

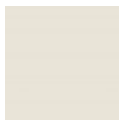
Designed by
Gülsah Soyluer





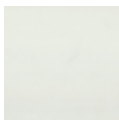
Catalog product

Lacquer Paint



Soft Touch

Clear glass



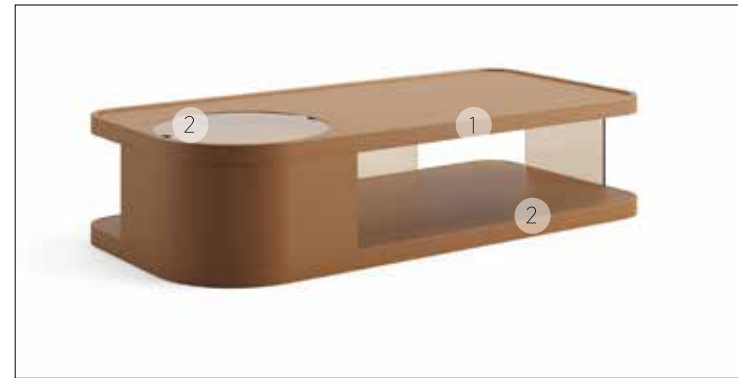
Calacatta Michelangelo
Polish



Material Catalogue



Alternative material
Alternative material/All Lacquer paint ,all glass and all porcelain ceramic
in Norde Material Catalogue



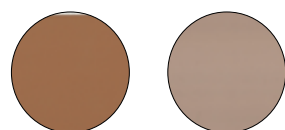
YUI COFFEE TABLE-2

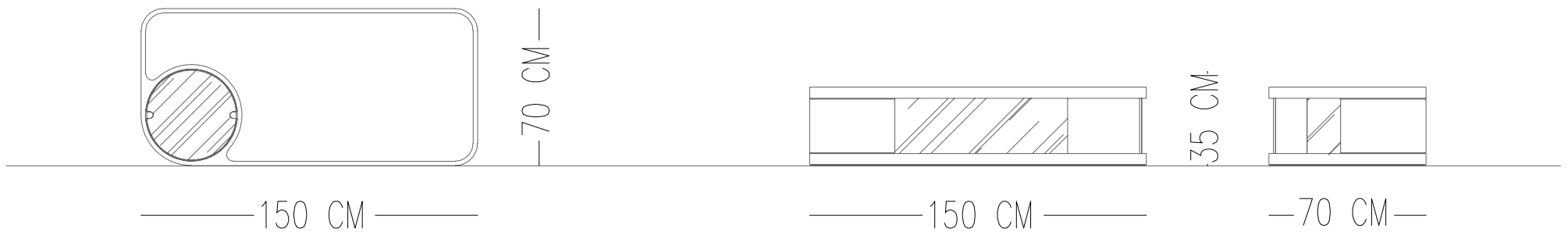
TECHNICAL SPECIFICATIONS

- 1 LAQUER PAINTED WOOD- SILK MAT-COLOR
- 2 8 MM BRONZE GLASS

Norde

esigned by
Gülsah Soygluer





Catalog product

Lacquer Painted
On wood



Cinnamon-matt

Glass



Bronze

Material Catalogue



Alternative material
All Lacquer Paint and all glass in Norde Material Catalogue



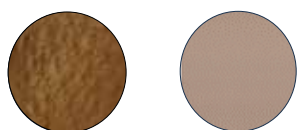
LOTUS COFFEE TABLE

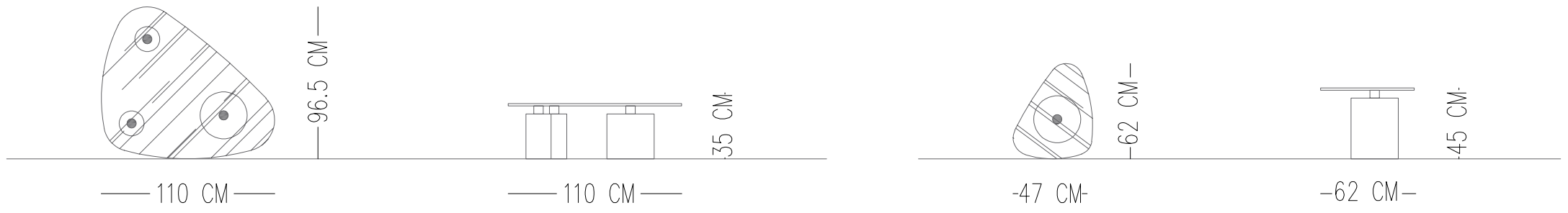
TECHNICAL SPECIFICATIONS

Norde

Designed by
Tugce Kurtbogan

STRUCTURE TOP: TEXTURED CAST BRONZE GLASS AND BRONZE METAL FITTINGS
LEGS: LAQUER PAINT NUDE MATT





Catalog product-Top

Glass



Bronze texture glass

Laquer painted on wood



Nude-matt

Material Catalogue



Alternative material
All Lacquer Paint and all glass in Norde Material Cataloge



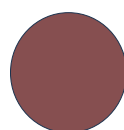
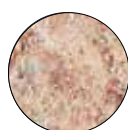
VOGUE COFFEE TABLE

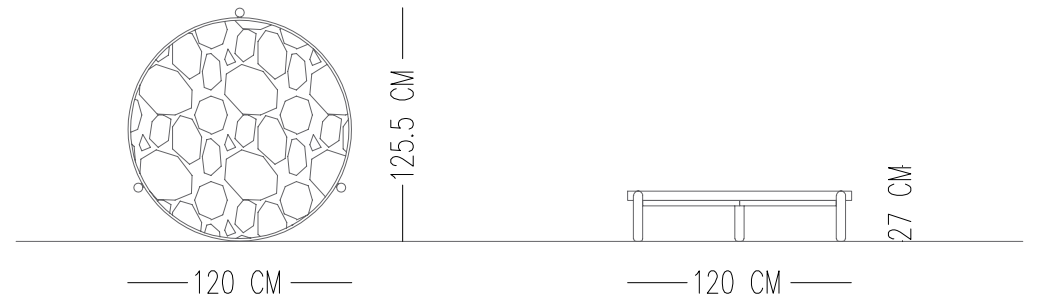
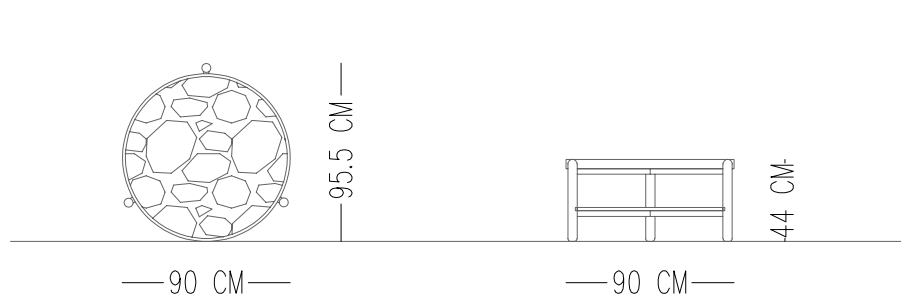
TECHNICAL SPECIFICATIONS

Norde

Designed by
Norde Design Studio

STRUCTURE TOP: PINK TRAVERTINE
LAQUERED PAINTED WOOD-POLISH





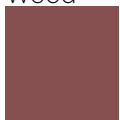
Catalog product

Travertine



Pink

Lacquer Painted on Wood



Ruby

Porcelain Ceramic



Calacatta

Material Catalogue



Alternative material
All marble, porcelain ceramic and lacquer paint in
Norde Material Catalogue



ORBIT COFFEE TABLE

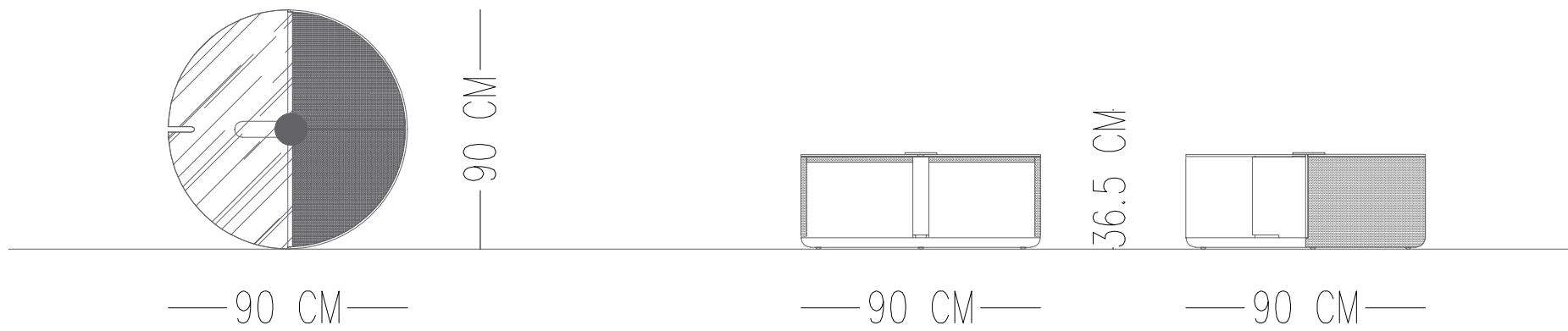
Norde

TECHNICAL SPECIFICATIONS

Designed by
Norde Design Studio

STRUCTURE TOP: 8 MM TEMPERED BRONZE GLASS AND LEATHER
SIDE: LEATHER COVERED WOOD AND METAL
BOTTOM: LAQUERED PAINTED ON WOOD





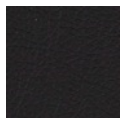
Catalog product

Glass



Bronze

Leather



Riva 339

Laquer painted on
wood cinnamon



Metal



01

Material Catalogue



Alternative material

All glass,leather,metal and laquer paint in Norde Material Cataloge



LILY COFFEE TABLE

Norde

TECHNICAL SPECIFICATIONS

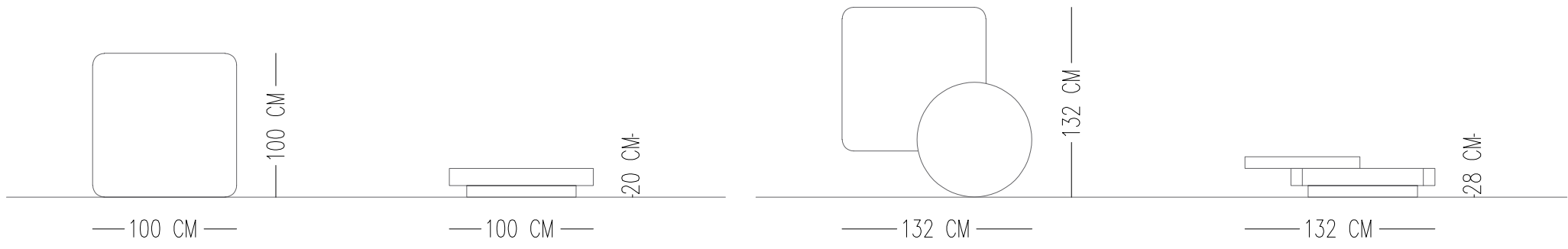
esigned by
Norde Design Studio

STRUCTURE

SANDBLASTED OAK WOOD VENEERING BLACK SMOKED TRANSPARENT MAT

CIRCLE TABLE: LAQUER PAINTED ON WOOD RUBY





Catalog product

Sandblasted
Oak wood veneering



Black smoked Matt
transparent varnish

Lacquer Painted on
Wood

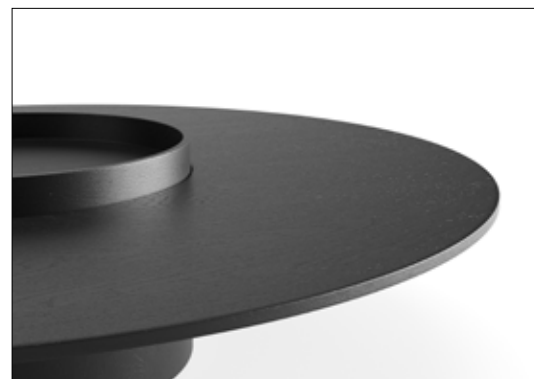


Ruby

Material Catalogue



Alternative material
All Wood Veneering and Laquer paint in Norde Material Cataloge



CIRCLE COFFEE TABLE

Norde

TECHNICAL SPECIFICATIONS

Designed by
Norde Design Studio

STRUCTURE

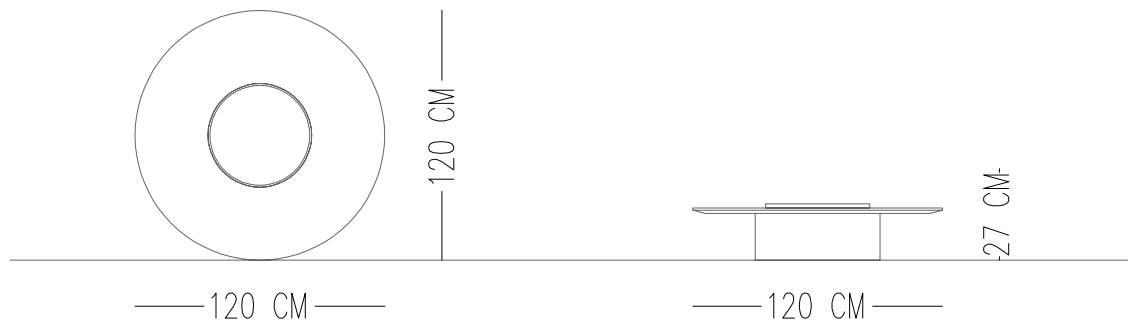
SANDBLASTED OAK WOOD VENEERING BLACK SMOKED TRANSPARENT MAT

WOOD TRAY IN THE MIDDLE

PORCELAIN CERAMIC/CARRARA SMALL ROUND TABLE

SILVER METAL LEG





Catalog product

Wood veneering



Sandblasted Oak veneering with black Matt transparent varnish

Metal Finish



Painted Dark Silver

Porcelain Ceramic



Calacatta

Material Catalogue



Alternative material

All Wood Veneering and Laquer paint in Norde Material Cataloge



ASTRA COFFEE TABLE

Norde

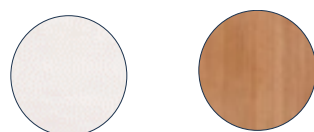
TECHNICAL SPECIFICATIONS

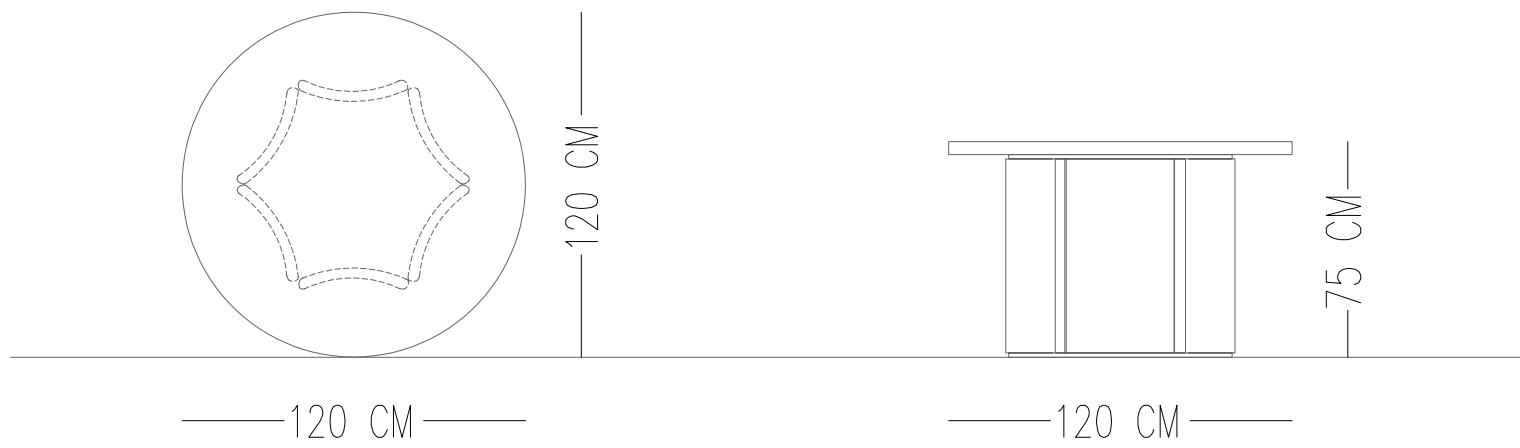
Designed by
Norde Design Studio

STRUCTURE

TOP: NATURAL STONE

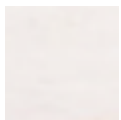
BASE: NATURAL WOOD





Catalog product

Top
Natural stone



Catalog product

Legs
Natural wood



Alternative material
Legs are natural wood painted black



OTTOMAN COFFEE TABLE

Norde

TECHNICAL SPECIFICATIONS

Designed by
Norde Design Studio

STRUCTURE

WOOD BLACK COLOR

ALTERNATIVE: WHITE WASH FINISHING

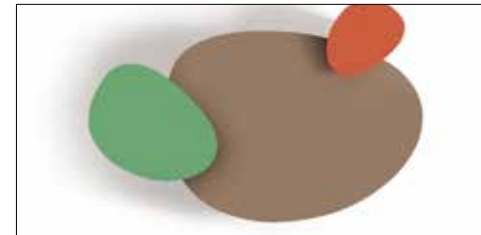


Catalog product



Wood Black Color

Alternative material: Teak wood black finishes,
White patinated teak wood



AUDREY COFFE TABLE

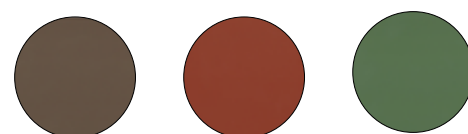
TECHNICAL SPECIFICATIONS

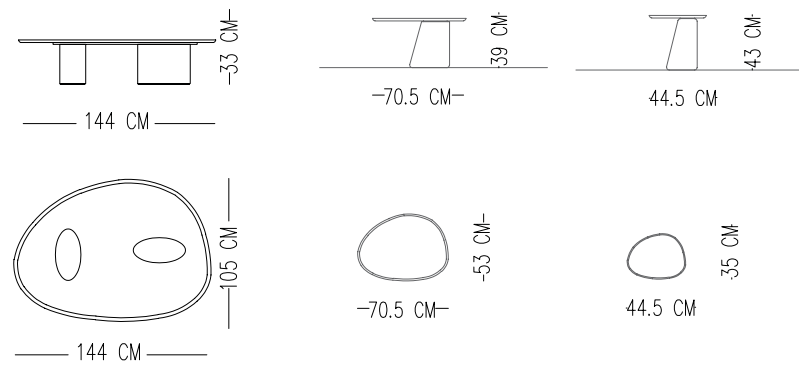
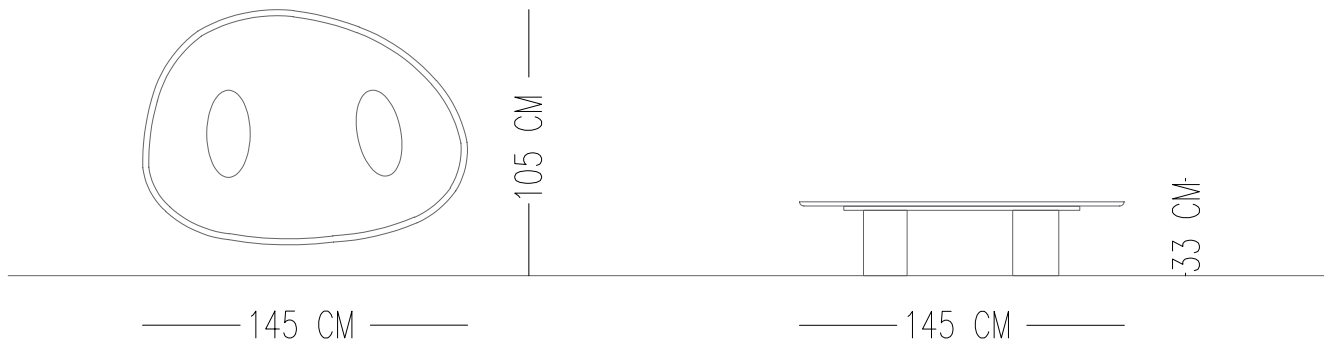
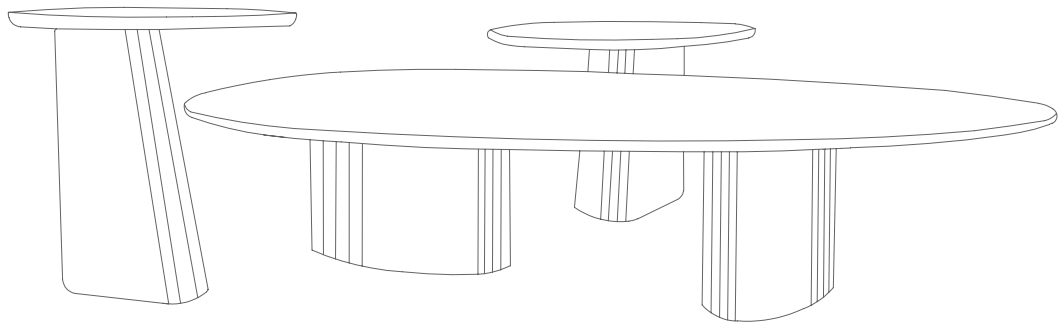
Norde

Designed by
Nur Benay Baker

TABLE TOP / BASE

LAQUER PAINTED ON WOOD (MATT)





Catalog product

Table Top/Base
Lacquer Painted on wood
(matt)



Lacquer Painted on wood
(matt)



Lacquer Painted on wood
(matt)



Alternative material
All Wood Laquer Paint in Norde Material Catalog
All marble and Porcelain ceramic in Norde Material Catalog

Material Catalogue





KIENA COFFEE TABLE

Norde

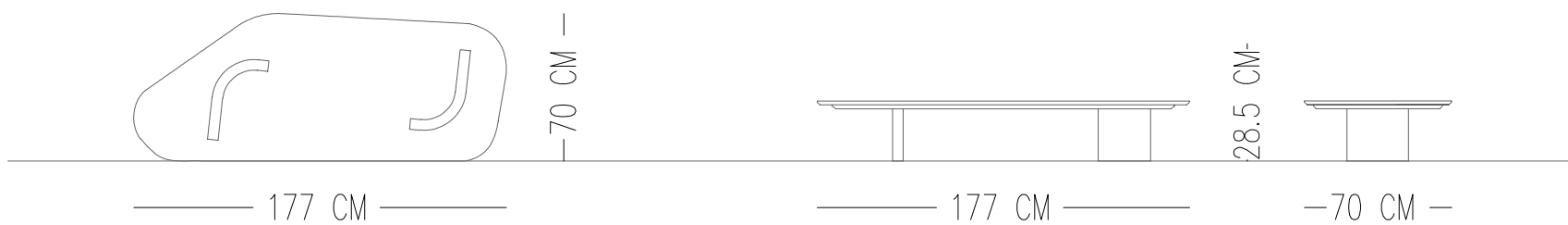
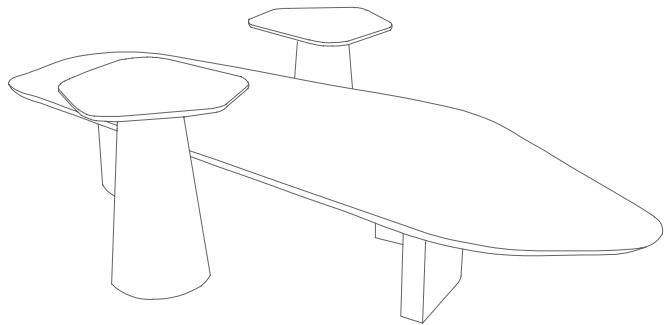
TECHNICAL SPECIFICATIONS

Designed by
Norde Design Studio

STRUCTURE

TOP: SANDBLASTED OAK WOOD VENEERING WITH BLACK VARNISH





Catalog product

Top
Sandblasted Oak wood Veneering
with black Varnish



Leg
Sandblasted Oak wood Veneering
with black Varnish



Material Catalogue



Alternative material
All Wood Laquer Paint in Norde Material Catalog
All marble and Porcelain ceramic in Norde Material Catalog



MARLON COFFEE TABLE

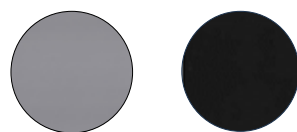
TECHNICAL SPECIFICATIONS

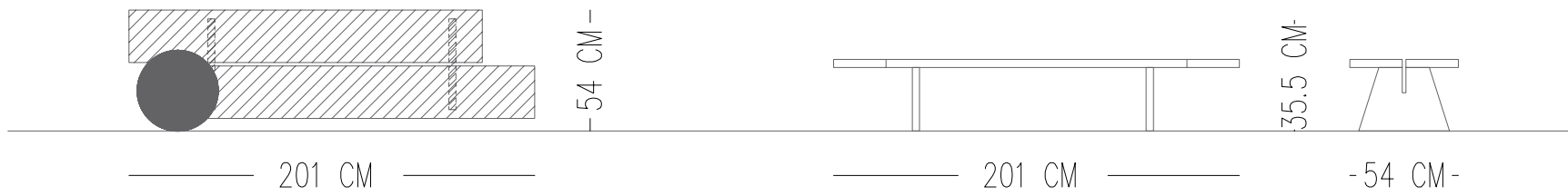
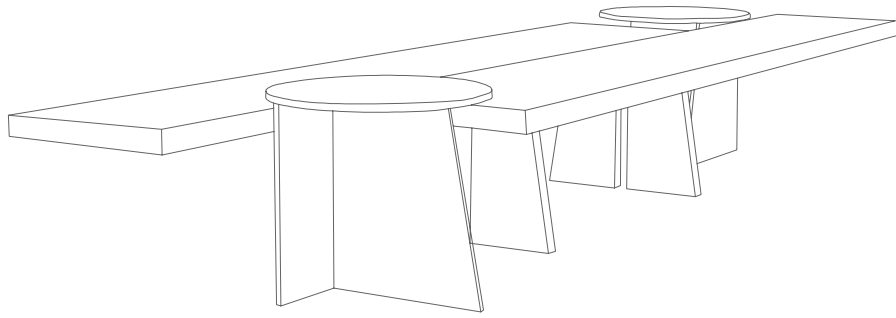
Norde

Designed by
Norde Design Studio

STRUCTURE

OAK VENEERING ON MDF WITH SANDBLASTED BLACK PAINT





Catalog product

Top
Sandblasted Oak wood Veneering
with black Varnish



Leg
Sandblasted Oak wood Veneering
with black Varnish



Marlon Side table
Smoked glass



Material Catalogue



Alternative material
Top-Legs /All Wood Veneering in Norde Material Catalog
Side Table/All glass and painted glass in Norde Material Catalog



OLIVER COFFEE TABLE

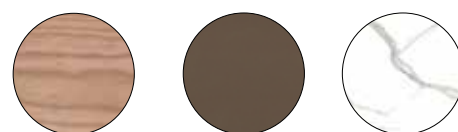
TECHNICAL SPECIFICATIONS

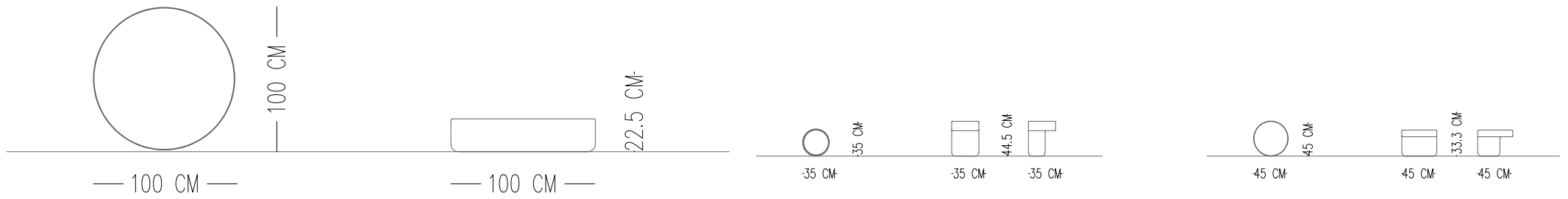
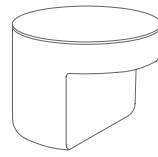
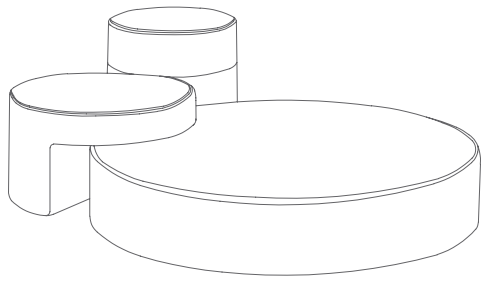
Norde

Designed by
Nur Benay Baker

TOP MARQUETERIE VENEERING & CERAMIC & PAINTED GLASS

STRUCTURE SANDBLASTED OAK WOOD VENEERING WITH NATURAL VARNISH





Catalog product

Structure&top
Oak wood Veneering
with natural Varnish



Structure&top
Oak wood Veneering
with painted glass-cappuccino



Structure&top
Oak wood Veneering
with porcelain ceramic calacatta



Alternative material
Strucure/Top/All Wood Veneering in Norde Material Catalog
Top/All glass and painted glass in Norde Material Catalog
Top/All porcelain ceramic in Norde Material catalog



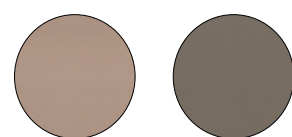
TRIO COFFEE TABLE

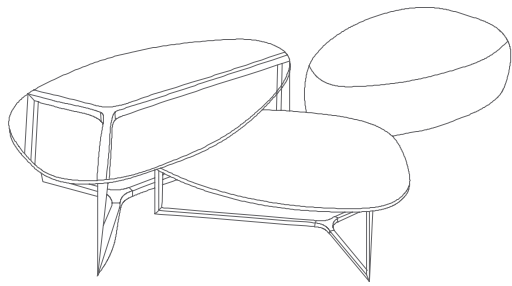
Norde

TECHNICAL SPECIFICATIONS

Designed by
Norde Design Studio

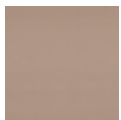
STRUCTURE TOP: BRONZE GLASS
LEGS: METAL LEG - CAPPUCCINO





Catalog product

Top



Bronze Glass

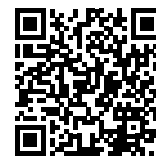
Leg



Cappuccino painted metal leg

Alternative material
All Wood Veneering and Laquer paint in Norde Material Catalogue

Material Catalogue





DOMINO COFFEE TABLE

TECHNICAL SPECIFICATIONS

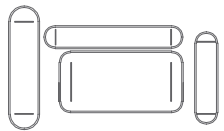
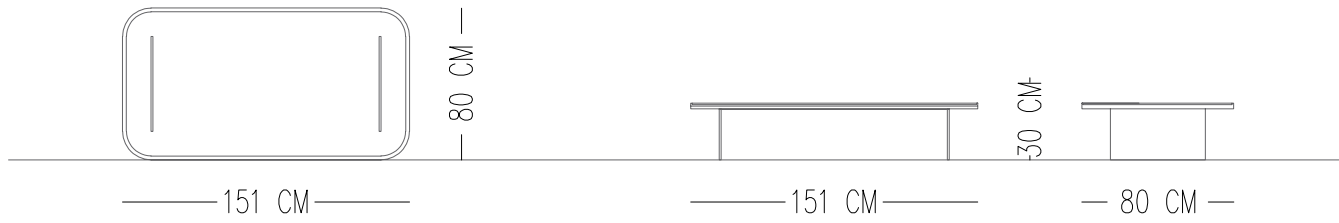
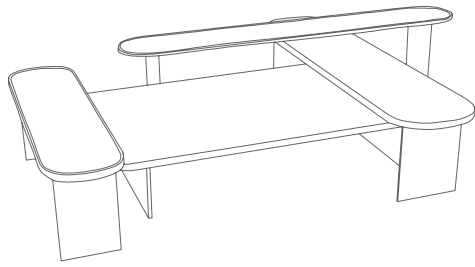
Norde

Designed by
Tugce Kurtbogan

STRUCTURE

TOP: SANDBLASTED OAK WOOD VENEERING WITH BLACK VARNISH





Catalog product

Top
Elegant beige
Honed marble



Legs
Painted metal
black



Top/Legs
Oak wood veneering with
black varnish



Top
Elegant beige
Honed marble



Legs
Painted metal
black



Top
Smoked mirror



Legs
Painted metal
black



Alternative material

Top/All Wood Veneering in Norde Material Catalog

Top/All Mirror in Norde Material Catalog

Top/All marble& porcelain ceramic in Norde Material catalog

All Lacquer painted on wood in Norde material catalog

Material Catalogue





DRANK COFFEE TABLE

Norde

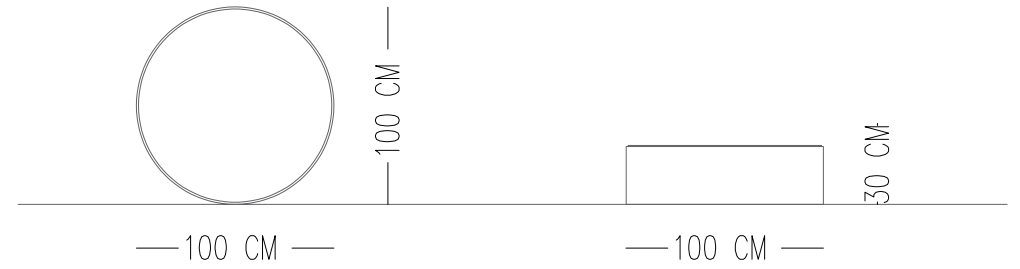
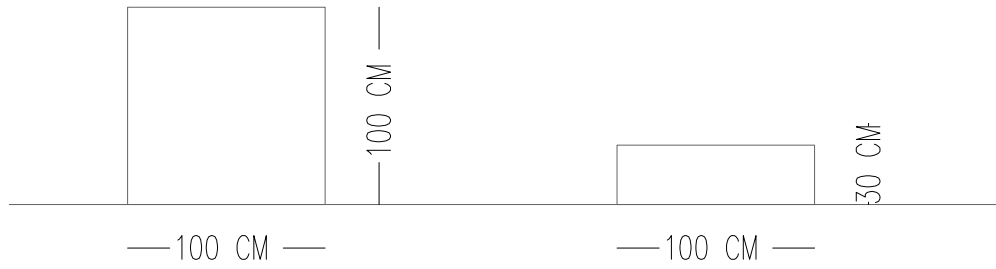
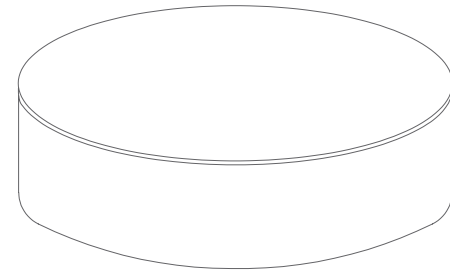
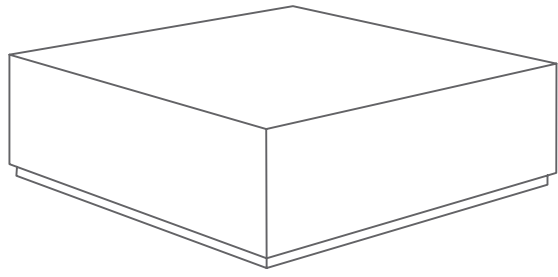
TECHNICAL SPECIFICATIONS

Designed by
Norde Design Studio

STRUCTURE

FRAME: AGED BRASS PAINT FINISH ON PLYWOOD
TOP: CALACATA MARBLE (CIRCLE) AND CALACATA CERAMIC(SQUARE)





Catalog product

Structure
Painted metal 04
Aged brass metal finish on wood



Top/Porcelain
Calacatta marble



Structure
Painted metal 04
Aged brass metal finish on wood



Top
Porcelain ceramic calacatta



Alternative material
Structure/All painted metal color on wood in Norde material catalog
All laquaer painted on wall in Norde Material catalog
Top//All marble& porcelain ceramic in Norde Material catalog
Top/All glass in Norde Material Catalog

Material Catalogue





OSLO COFFEE TABLE

TECHNICAL SPECIFICATIONS

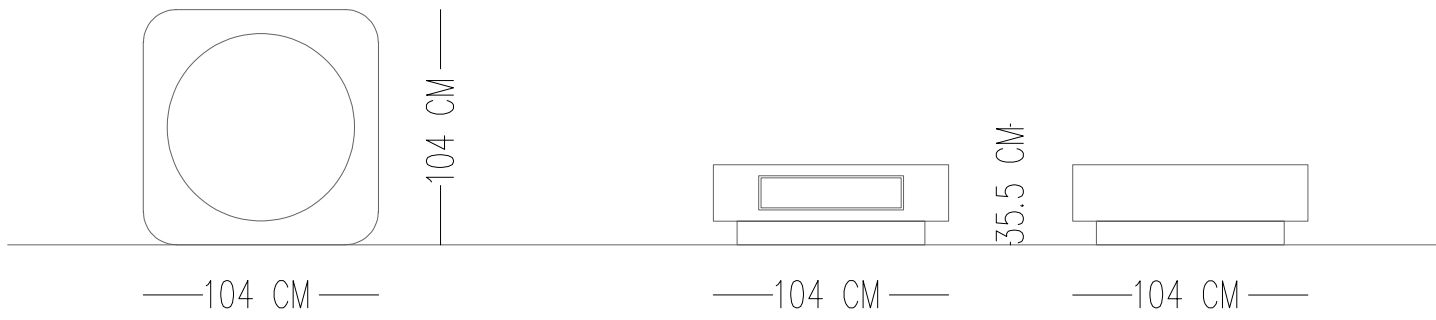
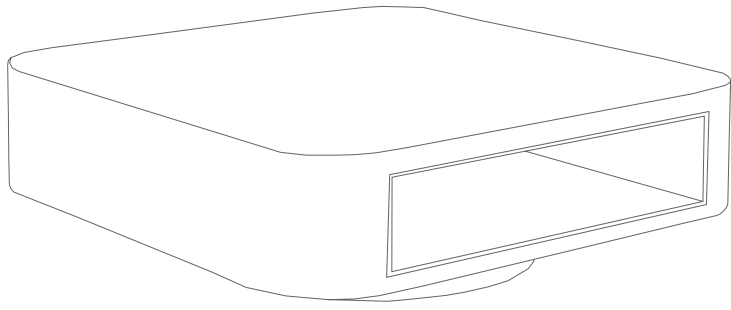
Norde

Designed by
Norde Design Studio

STRUCTURE

SMOKED OAK VENEERING ON WOOD WITH NATURAL VARNISH WITH AGED BRASS BASE & DETAILS





Catalog product

Base
Smoked oak veneering with
Natural varnish with aged brass base & details



Alternative material
All Oak wood veneering
finishes in Norde Material Catalog

Legs
Painted metal O4
Aged brass metal finish



Alternative material
All RAL and Metal color in Norde Material Catalog

Material Catalogue





YUI SIDE TABLE-1

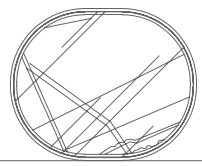
TECHNICAL SPECIFICATIONS

- 1 LAQUER PAINTED SILK MAT COLOR ON WOOD
- 2 GLASS 8 MM
- 3 PORCELAIN CERAMIC-5MM-INCLINED
- 4 METAL LEG

Norde

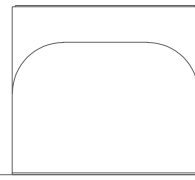
Designed by
Gülsah Soyluer





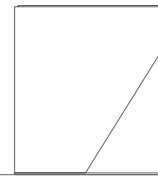
45 CM-

-55 CM-



50 CM-

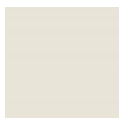
-55 CM-



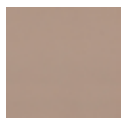
-45 CM-

Catalog product

Structure



Lacquer Painted on
Wood Soft touch



Bronze Glass

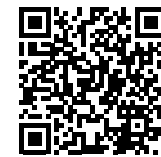


Calacatta
Michelangelo Polish



Painted Metal

Material Catalogue



Alternative material

All Laquer paint and porcelain ceramic in Norde material Cataloge



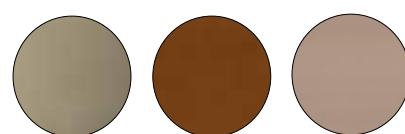
YUI SIDE TABLE-2

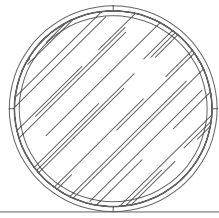
TECHNICAL SPECIFICATIONS

- 1 LEATHER COVERED WOOD
- 2 FABRIC COVERED WOOD
- 3 LEG/ GLASS 12 MM

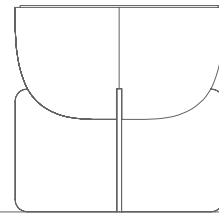
Norde

Designed by
Gülsah Soygluer





-50 CM-



-50 CM-

-50 CM-

-50 CM-

Catalog product

Structure
Nb45-Nubuck



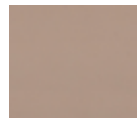
501

Structure
ND-11



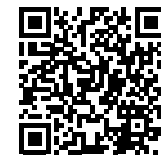
60444

Leg



Bronze Glass

Material Catalogue



Alternative material

All leather,laquer paint and glass in Norde material Cataloge



YUI SIDE TABLE-3

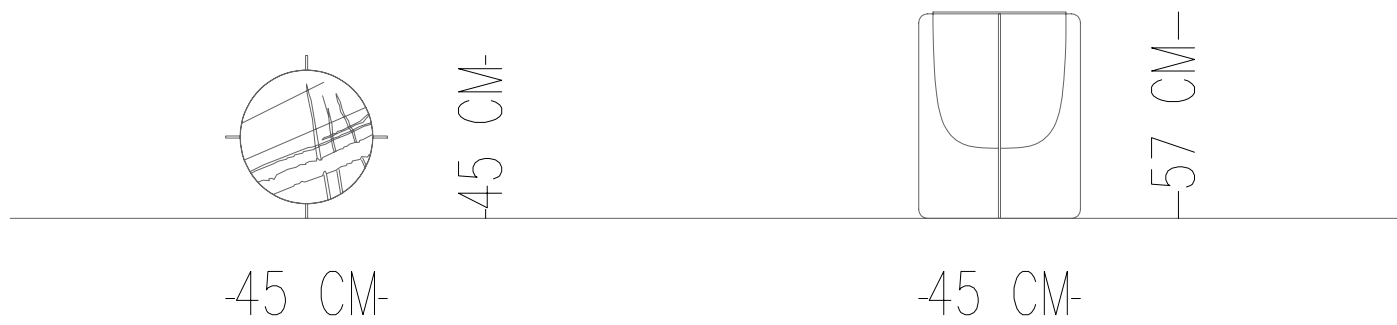
TECHNICAL SPECIFICATIONS

- 1 FABRIC COVERED WOOD
- 2 PORCELAIN CERAMIC TOP OF TABLE
- 3 LEG/ METAL

Norde

Designed by
Gülsah Soyluer





Catalog product

Structure
Nb45-Nubuck



501

Top coffee table



Calacatta Michelangelo
Polish

Leg



Cinnamon
Metal

Material Catalogue



Alternative material
All leather and metal in Norde material Cataloge



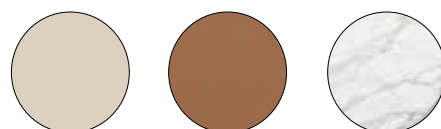
YUI SIDE TABLE-4

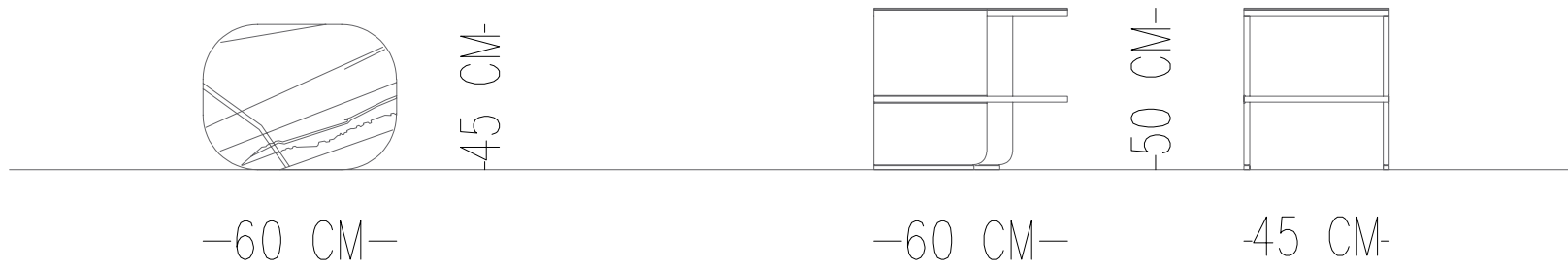
TECHNICAL SPECIFICATIONS

- 1 LAQUER PAINTED WOOD-SILK MAT-COLOR1
- 2 LAQUER PAINTED WOOD-SILK MAT-COLOR2
- 3 PORCELAIN CERAMIC TOP OF TABLE

Norde

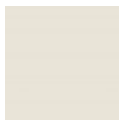
Designed by
Gölsah Soyluer





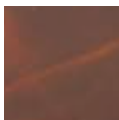
Catalog product

Structure



Lacquer Painted On
Wood Soft touch

Structure



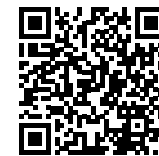
Lacquer Painted On
Wood Silk Mat

Top coffee table



Calacatta
Michelangelo Polish

Material Catalogue



Alternative material

All Lacquer paint and porcelain ceramic in Norde material Catalogue



YUI SIDE TABLE-5

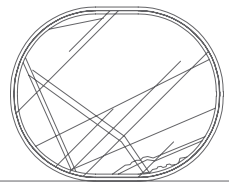
TECHNICAL SPECIFICATIONS

Norde

Designed by
Gülsah Soyluer

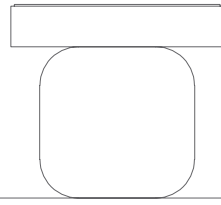
- 1 LAQUER PAINTED WOOD- SILK MAT-COLOR TABLE AND INSIDE PORCELAIN CERAMIC-5 MM
- 2 8 MM BRONZE GLASS
- 3 METAL LEG





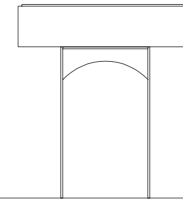
45 CM-

-55 CM-



-50 CM-

-55 CM-



45 CM-

Catalog product

Structure



Lacquer Painted on
Wood Soft touch



Bronze Glass



Calacatta
Michelangelo Polish



Painted Metal

Material Catalogue



Alternative material

All Laquer paint and porcelain ceramic in Norde material Cataloge



AUDREY C SIDE TABLE

Norde

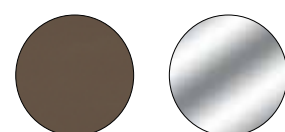
TECHNICAL SPECIFICATIONS

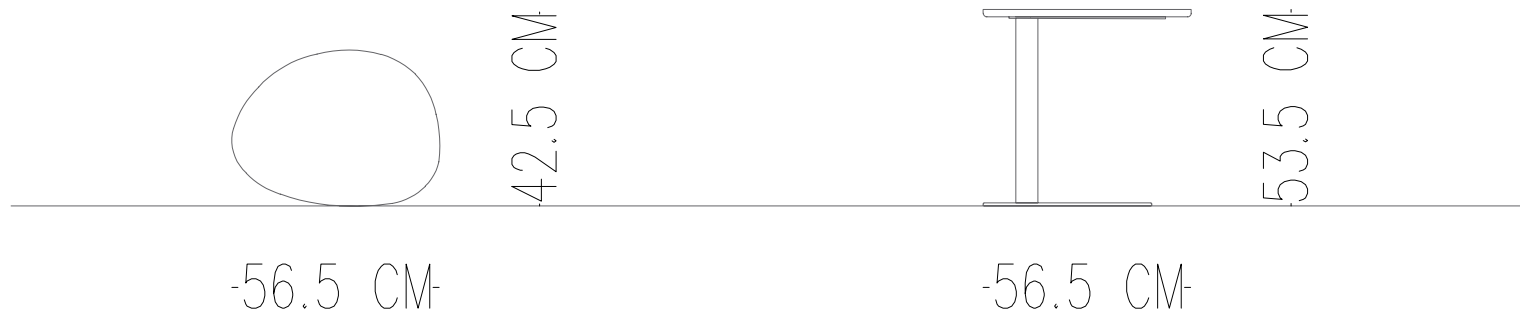
Designed by
Norde Design Studio

STRUCTURE

TOP:LAQUER PAINT ON WOOD-CAPPUCINO

LEG AND BOTTOM TRAY:CHROME





Catalog product

Top



Lacquer Painted
On Wood Cappuccino

Legs



Chrome

Alternative material
All Wood Lacquer paint and metal in Norde Material Catalogue

Material Catalogue





BELLA C SIDE TABLE

Norde

TECHNICAL SPECIFICATIONS

Designed by
Norde Design Studio

STRUCTURE

TOP: OAK VEENEERING WITH BLACK VARNISH

LEG: BLACK METAL





Catalog product

Top
Oak Veneering



Black mat varnish

Legs
Metal



Black

Material Catalogue



Alternative material
All Wood Veneering and metal in Norde Material Cataloge



QUATTRO SIDE TABLE

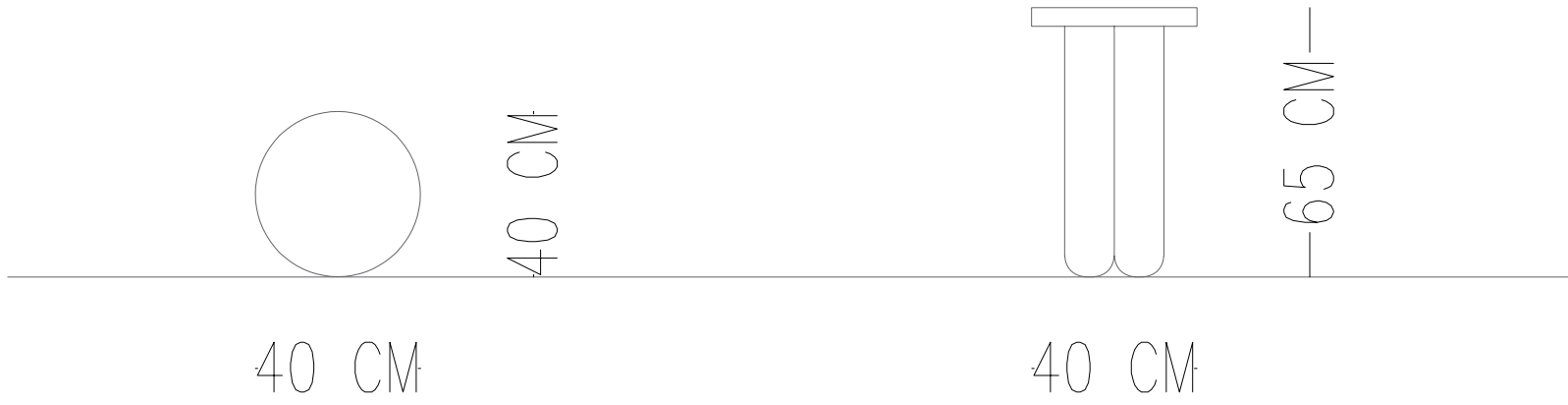
TECHNICAL SPECIFICATIONS

Norde

Designed by
Norde Design Studio

STRUCTURE TOP AND LEGS/OAK WOOD VENEERING WITH
NATURAL SANDBLASTED VARNISH





Catalog product

Top
Oak wood veneering natural
varnish & sandblasted finish



Alternative material
All oak wood veneering and all Laquer paint in Norde Material Cataloge

Material Catalogue





SHERLOCK SIDE TABLE

Norde

TECHNICAL SPECIFICATIONS

Designed by
Norde Design Studio

STRUCTURE

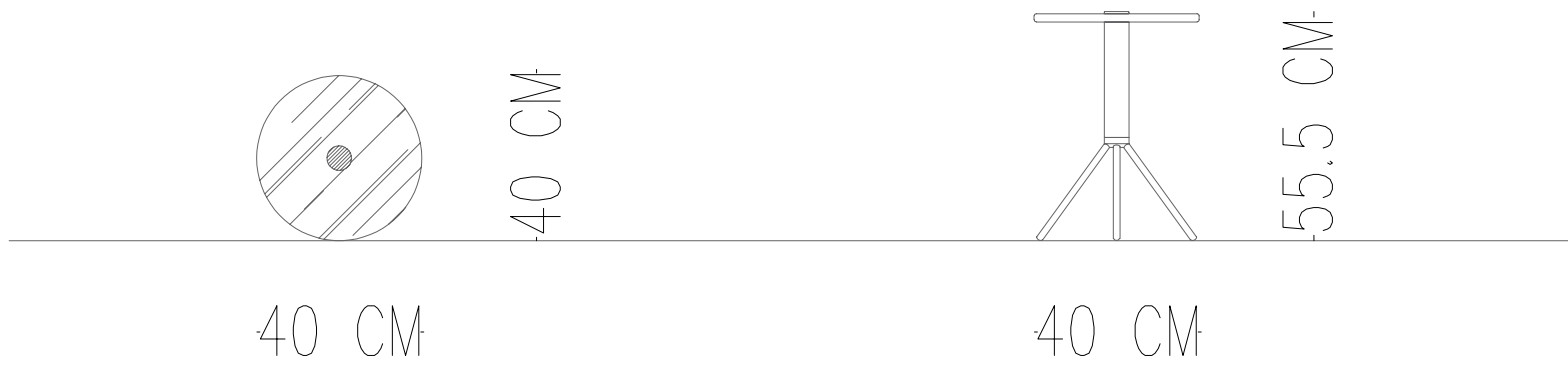
TOP: TEXTURED GLASS

BRASS METAL PIECE IN THE MIDDLE OF THE TOP TABLE

MID FOOT: SMOKED TRANSPARENT MAT BLACK VARNISH

LEG: BRASS METAL DETAIL





Catalog product

Top
Smoked Transparent
Mat black varnish



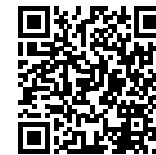
Glass
Textured glass



Metal
Brass



Material Catalogue



Alternative material
All oak wood veneering and all Laquer paint in Norde Material Cataloge



WALKER SIDE TABLE

TECHNICAL SPECIFICATIONS

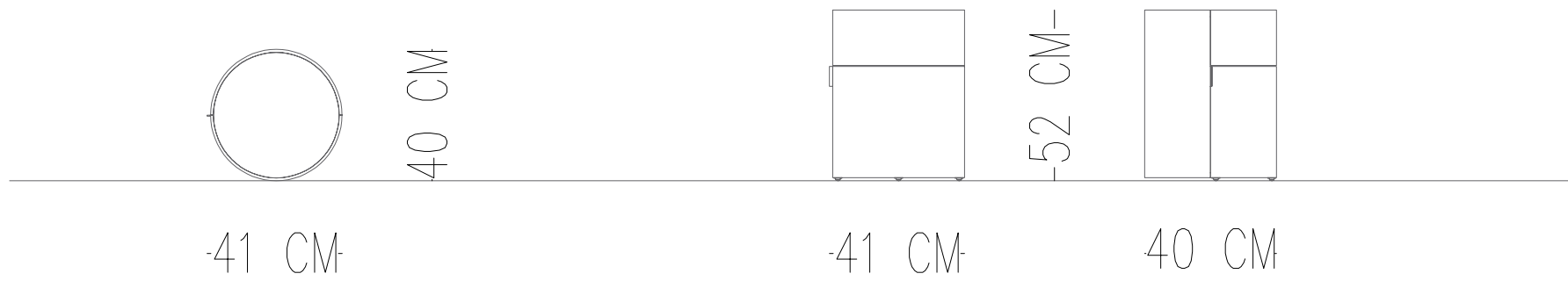
Norde

Designed by
Norde Design Studio

STRUCTURE

SANDBLASTED OAKWOOD VENEERING WITH
BLACK POLISH VARNISH
OPENED DRAWER AND CABINET DOOR





Catalog product

Sandblasted Oakwood
Veneering



Black Polish Varnish

Alternative material
All oak wood veneering and all Laquer paint in Norde Material Cataloge

Material Catalogue





MERGE SIDE TABLE

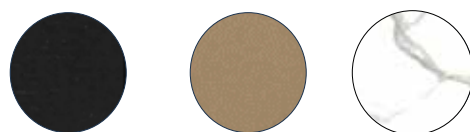
Norde

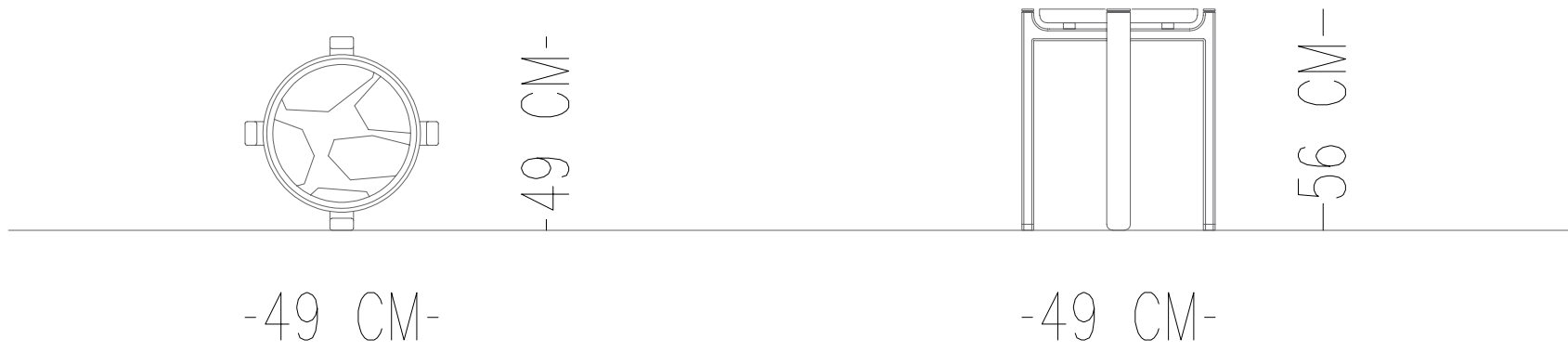
TECHNICAL SPECIFICATIONS

Designed by
Sümevra Erol

STRUCTURE

BASE: RIFT CUT OAK WOOD VENEERING WITH BLACK VARNISH
TOP: PORCELAIN CERAMIC CALACATA
AGED BRASS DETAIL





Catalog product

Sandblasted Oakwood Veneering



Black Polish Varnish

Metal



Brass

Porcelain Ceramic



Calacatta

Material Catalogue



Alternative material

All Wood Veneering, marble and porcelain ceramic in Norde Material Catalogue



AUDREY SIDE TABLE

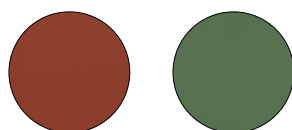
TECHNICAL SPECIFICATIONS

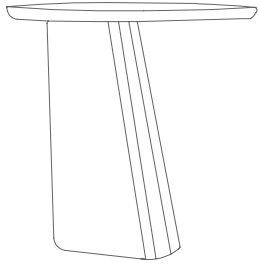
Norde

Designed by
Nur Benay Bakir

TABLE TOP / BASE

LAQUER PAINTED ON WOOD (MATT)





Catalog product

Lacquer Painted on wood (matt) Terracota



Lacquer Painted on wood (matt) Eucalyptus Green



Material Catalogue



Alternative material
All Wood Laquer Paint in Norde Material Catalog
All marble and Porcelain ceramic in Norde Material Catalog



KIENA SIDE TABLE

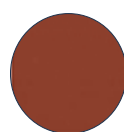
Norde

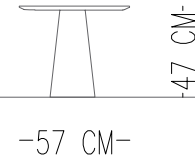
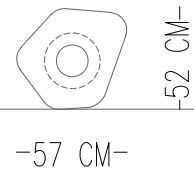
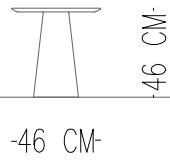
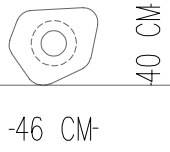
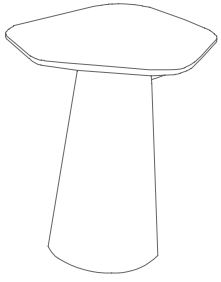
TECHNICAL SPECIFICATIONS

Designed by
Norde Design Studio

STRUCTURE

LAQUER PAINTED ON WOOD (MATT)





Catalog product

Lacquer Painted on wood
(matt) Terracota



Alternative material
All Wood Laquer Paint in Norde Material Catalog
All marble and Porcelain ceramic in Norde Material Catalog

Material Catalogue





BULUT SIDE TABLE

TECHNICAL SPECIFICATIONS

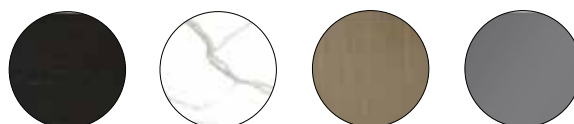
Norde

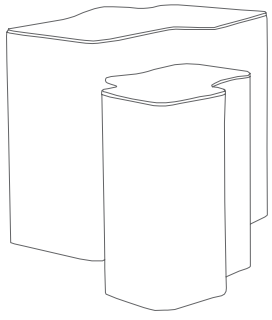
Designed by
Norde Design Studio

STRUCTURE

LARGER ONE: AGED BRASS METAL PAINT ON OAK VENEERING

SMALLER ONE: SANDBLASTED OAK WOOD VENEERING WITH WENGE VARNISH





Catalog product

Structure
Sandblasted Oak Wood Veneering
Wenge Varnish



Top/Porcelain
ceramic-calacatta



Structure
Painted metal O4
Aged brass metal finish on oak veneering



Top
Smoked mirror



Material Catalogue



Alternative material
Structure/All Wood Veneering in Norde material catalog
Structure/All painted metal finish on oak veneering
Top/All marble& porcelain ceramic in Norde Material catalog
Top/All mirror in Norde material catalog



DRANK SIDE TABLE

TECHNICAL SPECIFICATIONS

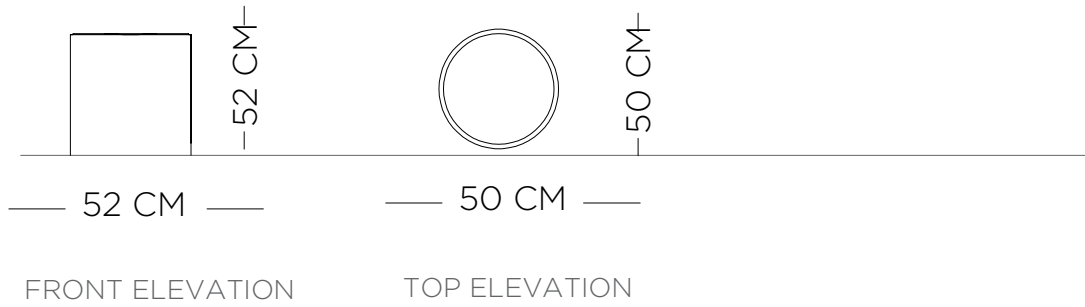
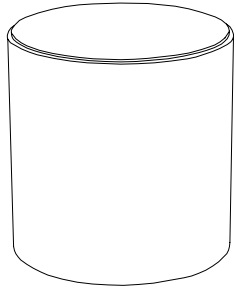
Norde

Designed by
Norde Design Studio

STRUCTURE

FRAME: AGED BRASS PAINT FINISH ON PLYWOOD
TOP: CALACATA MARBLE





Catalog product

Structure
Painted metal 04
Aged brass metal finish on plywood



Top/Porcelain
Calacatta marble



Alternative material
Structure/All painted metal finish on plywood in Norde material catalog
Top//All marble& porcelain ceramic and glass, painted glass material in Norde Material catalog
Top/All glass in Norde Material Catalog

Material Catalogue





FREE SIDE TABLE

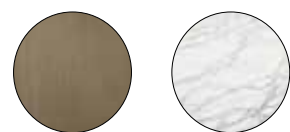
TECHNICAL SPECIFICATIONS

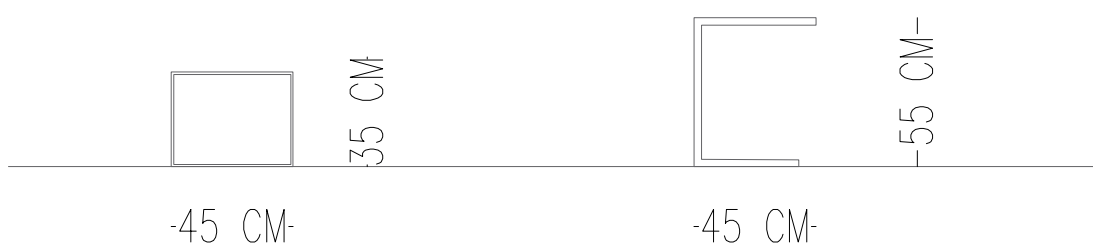
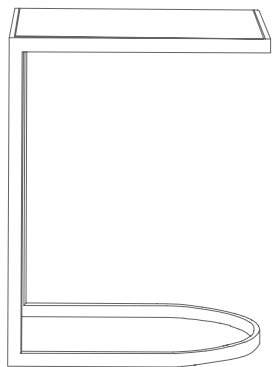
Norde

Designed by
Norde Design Studio

STRUCTURE

TOP: CALACATTA MARBLE POLISHED
BASE: AGED BRASS METAL





Catalog product

Base
Painted metal O4
Aged brass metal finish



Top/Porcelain
Calacatta marble polished



Alternative material
Base /All painted metal finish in Norde material catalog
Top//All marble& porcelain ceramic in Norde Material catalog

Material Catalogue





MARLON SIDE TABLE

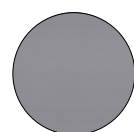
TECHNICAL SPECIFICATIONS

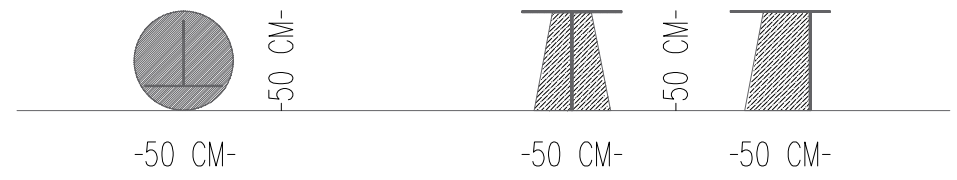
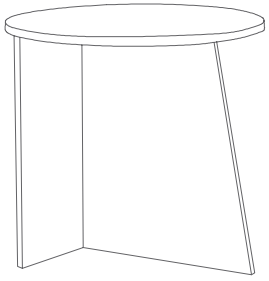
Norde

Designed by
Norde Design Studio

STRUCTURE

GLASS





Catalog product

Smoked glass



Alternative material
Top//All glass finishes in Norde Material catalog

Material Catalogue





SHOT SIDE TABLE

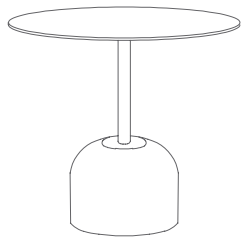
Norde

TECHNICAL SPECIFICATIONS

Designed by
Norde Design Studio

TOP	BLACK PAINTED METAL FINISH
BASE	CONCRETE FINISHED BOTTOM BASE





Catalog product

Top
Painted metal Black

Base
Concrete



Alternative material
All metal finishes in Norde Material Catalog

Material Catalogue





TOWER SIDE TABLE

TECHNICAL SPECIFICATIONS

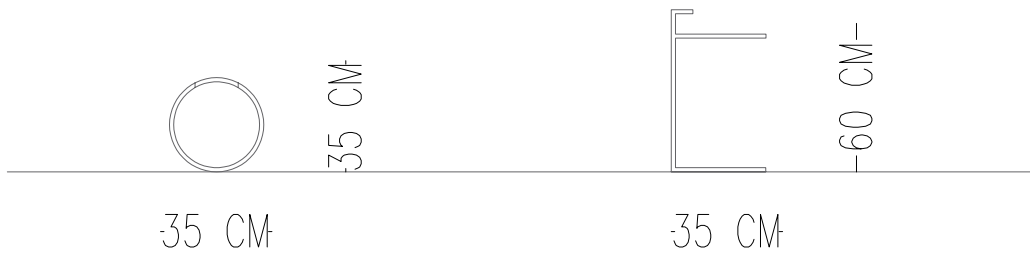
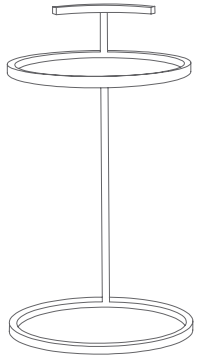
Norde

Designed by
Norde Design Studio

STRUCTURE

AGED BRASS METAL FINISH





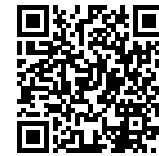
Catalog product

Structure
Painted metal 04
Aged brass metal finish



Alternative material
All metal finishes and in Norde Material Catalog

Material Catalogue





ANATOLIA SIDE TABLE

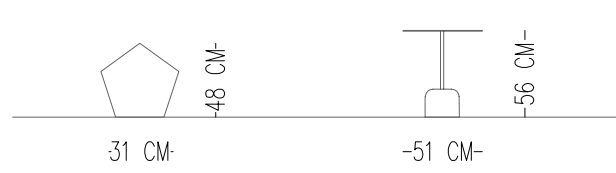
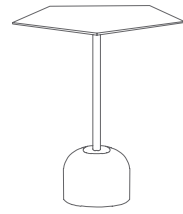
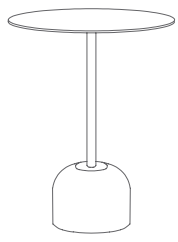
TECHNICAL SPECIFICATIONS

Norde

Designed by
Norde Design Studio

STRUCTURE AGED BRASS METAL FINISH





Catalog product

Structure
Painted metal O4
Aged brass metal finish



Leg
Painted metal Black



Alternative material
All metal finishes and ral color in Norde Material Catalog

Material Catalogue





1 ADJUSTABLE HEIGHT

TUNE SIDE TABLE

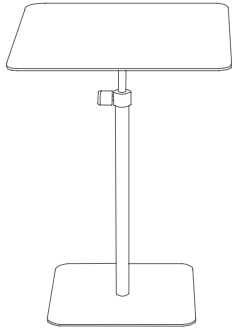
TECHNICAL SPECIFICATIONS

Norde

Designed by
Norde Design Studio

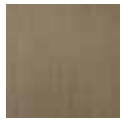
TOP	AGED BRASS METAL FINISH
BASE	AGED BRASS METAL
LEGS	ADJUSTABLE HEIGHT





Catalog product

Top
Painted metal O4
Aged brass metal finish

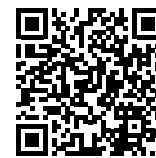


Base
Painted metal O4
Aged brass metal finish



Alternative material
All metal finishes in Norde Material Catalog

Material Catalogue





ZED SIDE TABLE

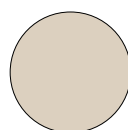
TECHNICAL SPECIFICATIONS

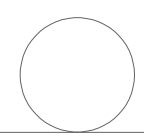
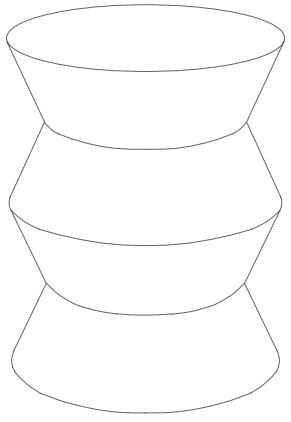
Norde

Designed by
Norde Design Studio

STRUCTURE

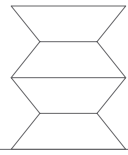
MATERIAL-FIBER





36 CM

36 CM



36 CM

45 CM

Catalog product

Fiber material



Soft touch

Material Catalogue





MUSHROOM STOOL

TECHNICAL SPECIFICATIONS

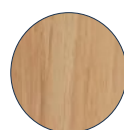
Norde

Designed by
Norde Design Studio

STRUCTURE

TEAK WOOD NATURAL TEAK COLOR

ALTERNATIVE: TEAK WOOD BLACK



Catalog product



Teak color with natural teak color

Alternative material: Teak wood black finishes,
White patinated teak wood



FLAT STOOL

TECHNICAL SPECIFICATIONS

Norde

Designed by
Norde Design Studio

STRUCTURE

TTEAK WOOD LAMINATEDNATURAL FINISHING



Catalog product



Teak color with natural teak color

Alternative material: Teak wood black finishes,
White patinated teak wood



UBE STOOL

TECHNICAL SPECIFICATIONS

Norde

Designed by
Norde Design Studio

STRUCTURE

TEAK WOOD LAMINATED BLACK FINISHING



Catalog product



Teak Wood Laminated Black
Finishing

Alternative material:Teak wood black finishes,
White patinated teak wood



SHERLOCK TROLLEY

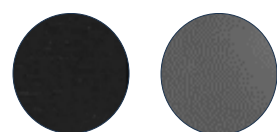
Norde

TECHNICAL SPECIFICATIONS

Designed by
Samet Bakır

STRUCTURE

BASE: FLAT CUT OAK WOOD VENEERING WITH
BLACK VARNISH -SANDBLASTED FINISH
AND SILVER METAL DETAIL





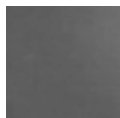
Catalog product

Sandblasted Oakwood Veneering



Black Varnish

Metal



Dark Silver

Material Catalogue



Alternative material

All Wood Veneering and metal in Norde Material Cataloge



VIBE SIDE TABLE

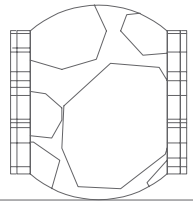
TECHNICAL SPECIFICATIONS

Norde

Designed by
Samet Bakır

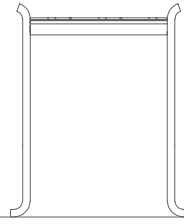
STRUCTURE SIDE EDGE/SANDBLASTED OAKWOOD VENEERING WITH BLACK VARNISH
TOP/PORCELAIN CERAMIC CALACATA





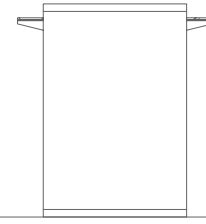
-49 CM-

-44 CM-



53.5 CM

-44 CM-



-49 CM-

Catalog product

Oak Veneering



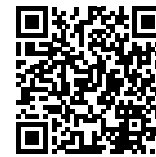
Sandblasted oak wood veneering

Porcelain Ceramic



Calacatta

Material Catalogue



Alternative material

All wood veneering and porcelain ceramic in Norde material Catalog



PERFECT CURVED BACK AND
AMAZING COMFORT, THIS PIECE IS
BOTH STYLISH AND COMFORTABLE!





ASTON CHAIR

Norde

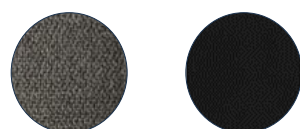
TECHNICAL SPECIFICATIONS

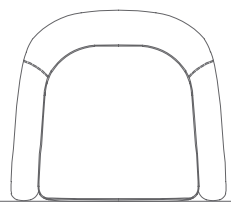
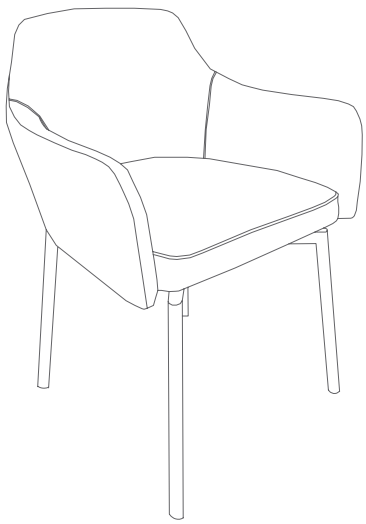
Designed by
Norde Design Studio

INTERIOR STRUCTURE POLYURETHANE FOAM & STEEL STRUCTURE

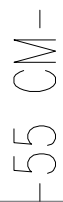
PADDING 35 DNS SOFT FOAM

UPHOLSTERY TIGHT

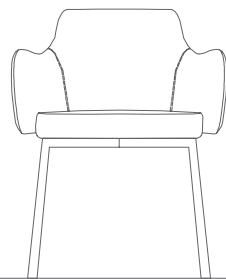




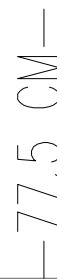
-62 CM-



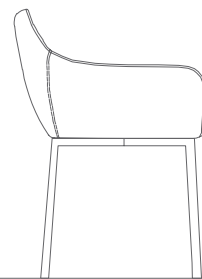
-55 CM-



-62 CM-



-77.5 CM-



-55 CM-

Catalog product-fabric

N-C17/Linen



1-1015

Alternative fabric
Linen&Faux leather,Linen&Leather,Linen&Nubuck
Boucle&Faux leather,Boucle & Leather, Boucle&Nubuck
Linen teddy&Faux leather, Linen teddy&Leather, Linen teddy&Nubuck
Linen,Faux leather,Boucle,Linen teddy, Linen&Nubuck and Leather

Catalog product-Legs

Painted Metal Leg



Fabric Matrix



Material Catalogue





CLEMENTINE CHAIR

TECHNICAL SPECIFICATIONS

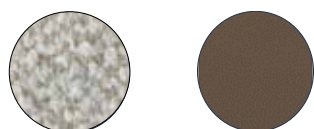
Norde

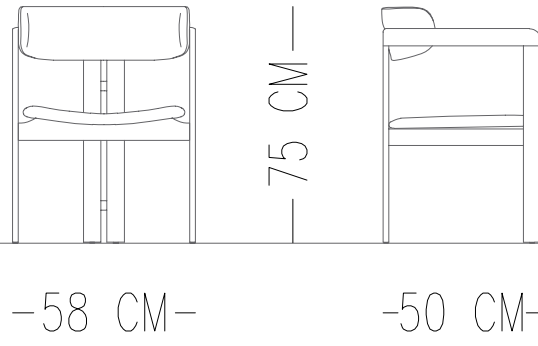
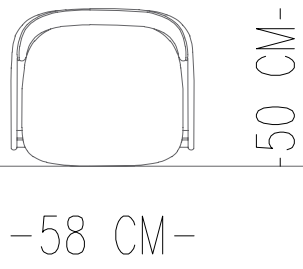
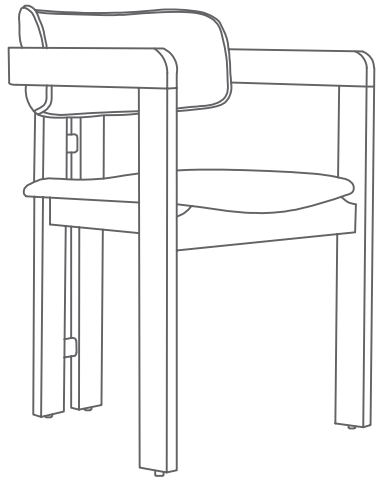
esigned by
Norde Design Studio

INTERIOR STRUCTURE POLYURETHANE FOAM & SPECIAL PAINTED HARDWOOD STRUCTURE

PADDING 35 DNS SOFT FOAM

UPHOLSTERY TIGHT





Catalog product-fabric

N-A11/Boucle



52664

Alternative fabric
Linen, Linen teddy, Boucle and Nubuck

Catalog product-Legs

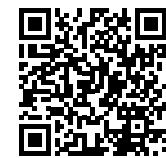
Lacquer Painted on wood cappucino



Fabric Matrix



Material Catalogue





MARLON CHAIR

TECHNICALS PECIFICATIONS

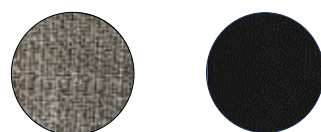
Norde

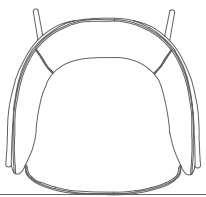
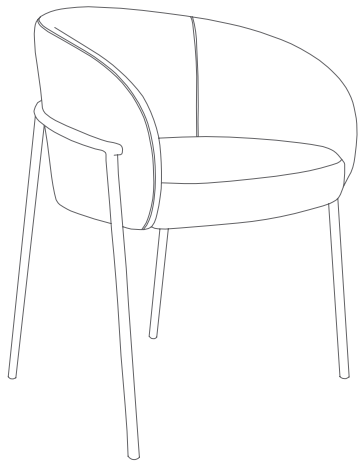
Designed by
Norde Design Studio

INTERIOR STRUCTURE PLYWOOD & FIBER

PADDING 35 DNS SOFT FOAM

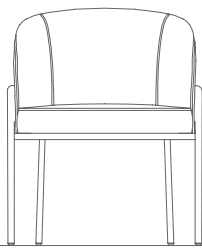
UPHOLSTERY TIGHT





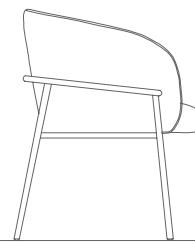
—64 CM—

—61 CM—



—64 CM—

—76 CM—



—61 CM—

Catalog product-fabric

N-B11/Linen



2120

Alternative fabric
Linen, Linen teddy, Boucle, Velvet, Suede
Faux leather, Leather and Nubuck

Catalog product-Legs

Painted Metal



Fabric Matrix



Material Catalogue





AUDREY CHAIR

Norde

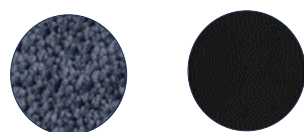
TECHNICAL SPECIFICATIONS

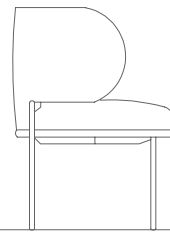
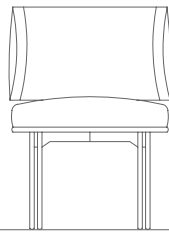
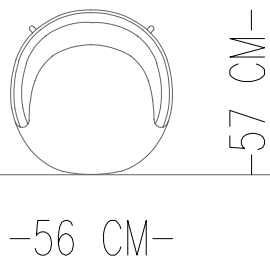
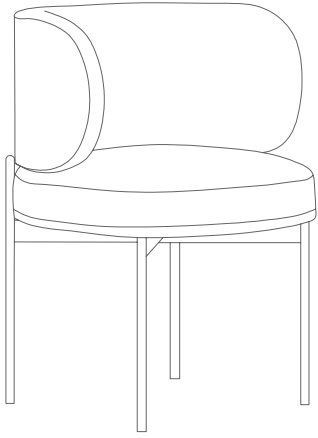
Designed by
Norde Design Studio

INTERIOR STRUCTURE PLYWOOD & FIBER

PADDING 35 DNS SOFT FOAM

UPHOLSTERY TIGHT





Catalog product-fabric

N-B31/Chenille



9904

Alternative fabric
Linen,Linen teddy,Boucle, Velvet,Suede and Nubuck

Catalog product-Legs

Painted Metal Leg



Fabric Matrix



Material Catalogue





CORVUS CHAIR

TECHNICAL SPECIFICATIONS

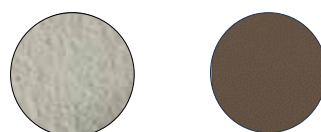
Norde

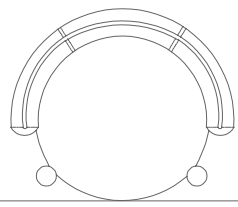
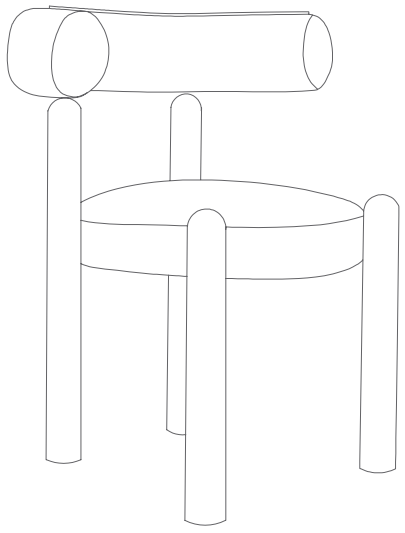
Designed by
Norde Design Studio

INTERIOR STRUCTURE POLYURETHANE FOAM

PADDING 35 DNS SOFT FOAM

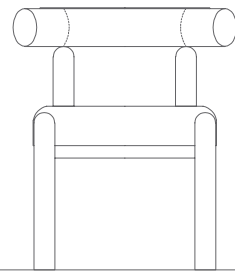
UPHOLSTERY TIGHT





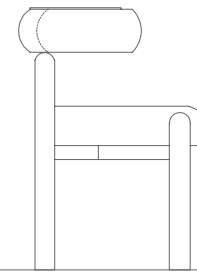
-64 CM-

-55 CM-



-64 CM-

-75 CM-



-55 CM-

Catalog product-fabric

N-A20/Boucle



DLY 02

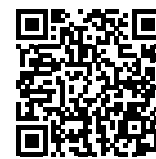
Alternative fabric
Linen,Linen teddy,Boucle and Suede

Catalog product-Legs

Painted metal



Fabric Matrix



Material Catalogue





CECIL CHAIR

TECHNICAL SPECIFICATIONS

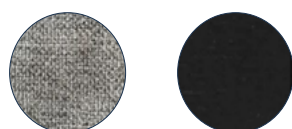
Norde

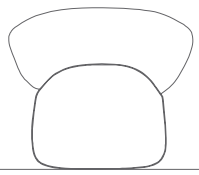
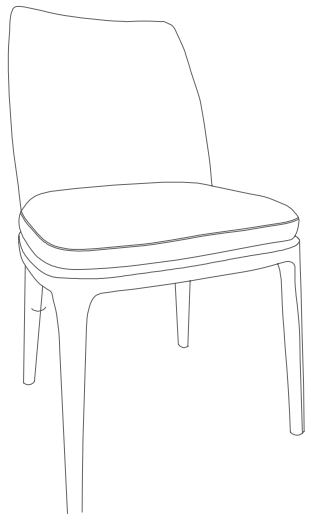
Designed by
Norde Design Studio

INTERIOR STRUCTURE PLYWOOD & FIBER

PADDING 35 DNS SOFT FOAM

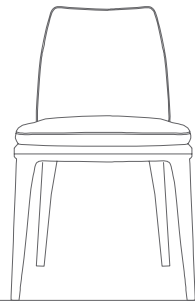
UPHOLSTERY TIGHT





-46.5 CM-

-53 CM-



-84.5 CM-

-53 CM-

Catalog product-fabric

Linen



15

Alternative fabric
Linen,Boucle,Nubuck and Linen teddy

Catalog product-Legs

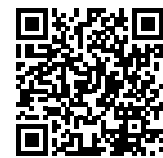
Painted Hardwood



Fabric Matrix



Material Catalogue





MINNY CHAIR

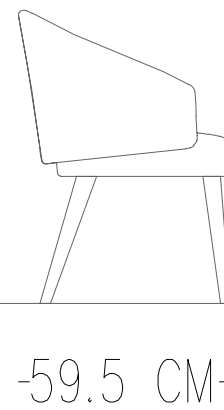
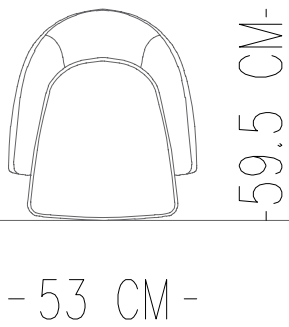
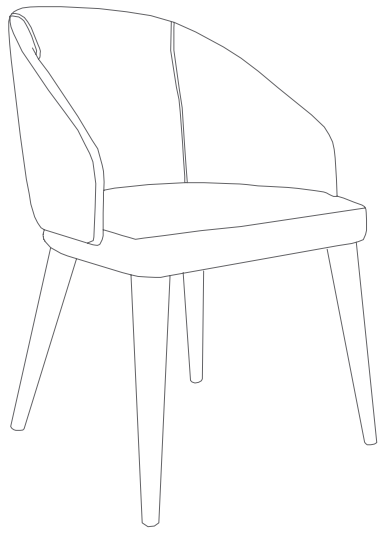
Norde

TECHNICAL SPECIFICATIONS

Designed by
Norde Design Studio

INTERIOR STRUCTURE	PLYWOOD & FIBER
PADDING	35 DNS SOFT FOAM
UPHOLSTERY	TIGHT





Catalog product-fabric

N-D13/Linen Leather



1002

Alternative fabric
Linen&Faux leather,Linen&Leather
Faux leather&Faux leather and Leather&Leather

Catalog product-Legs

Black Painted Hardwood



Fabric Matrix



Material Catalogue





PARC CHAIR

TECHNICAL SPECIFICATIONS

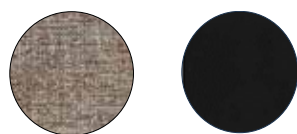
Norde

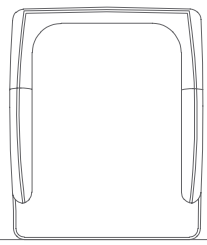
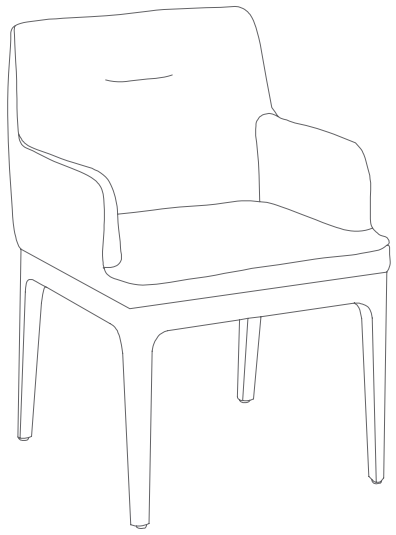
Designed by
Norde Design Studio

INTERIOR STRUCTURE POLYURETHANE FOAM

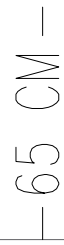
PADDING 35 DNS SOFT FOAM

UPHOLSTERY TIGHT

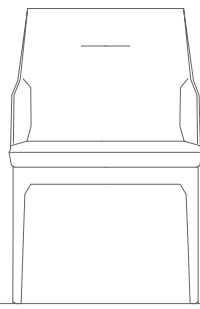




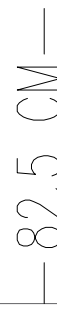
- 54 CM -



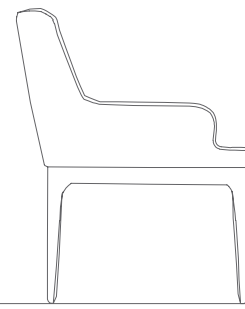
65 CM



- 54 CM -



82.5 CM



- 65 CM -

Catalog product-fabric

Linen



Krem/O6

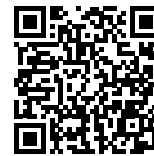
Alternative fabric
Linen, Nubuck, Velvet, Faux leather, Suede, and Leather

Catalog product-Legs

Black Painted Hardwood



Fabric Matrix



Material Catalogue





PARTNER CHAIR

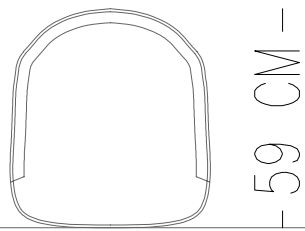
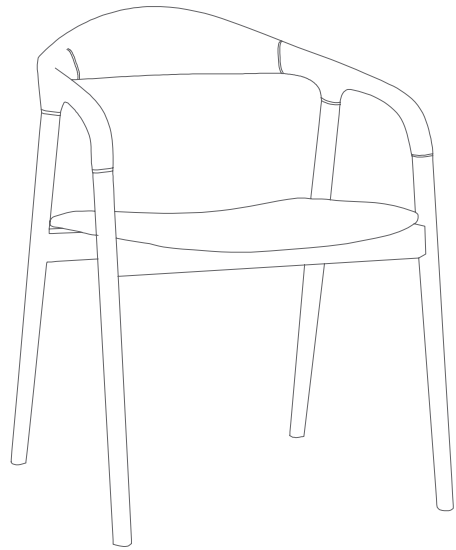
Norde

TECHNICAL SPECIFICATIONS

Designed by
Norde Design Studio

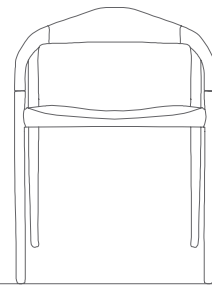
INTERIOR STRUCTURE	SOLID WOOD
PADDING	35 DNS SOFT FOAM
UPHOLSTERY	TIGHT





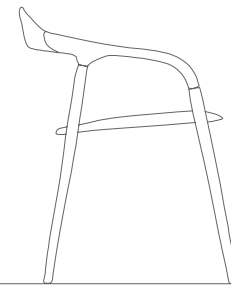
- 54 CM -

- 59 CM -



- 54 CM -

- 74.5 CM -



- 59 CM -

Catalog product-fabric

N-B15/Linen



AK 86-12

Alternative fabric
Linen, Nubuck, Velvet, Faux leather, Suede, and Leather

Catalog product-Legs

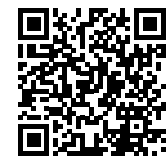
Solidwood



Fabric Matrix



Material Catalogue





DAISY CHAIR

Norde

TECHNICALS PECIFICATIONS

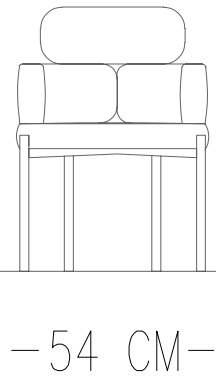
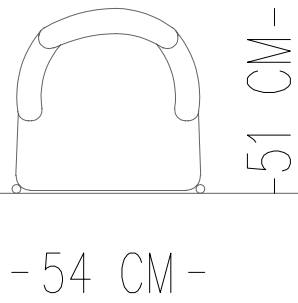
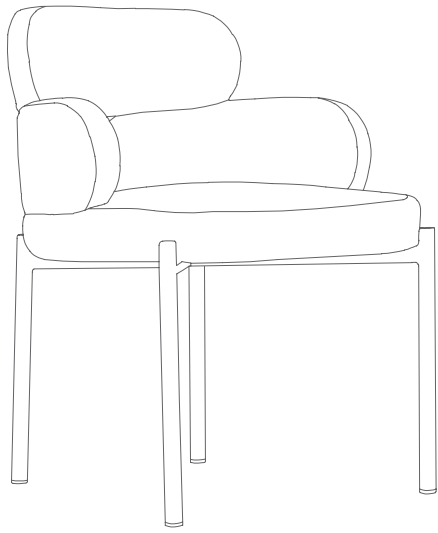
Designed by
Norde Design Studio

INTERIOR STRUCTURE PLYWOOD & FIBER

PADDING 35 DNS SOFT FOAM

UPHOLSTERY TIGHT





Catalog product-fabric

Linen teddy



Catalog product-Legs

Black painted metal leg



Alternative fabric

Linen,Nubuck,Velvet,Faux leather,Suede, and Leather



LOTUS CHAIR

TECHNICALS PECIFICATIONS

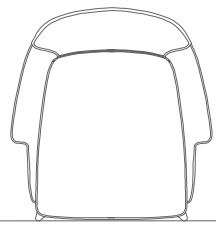
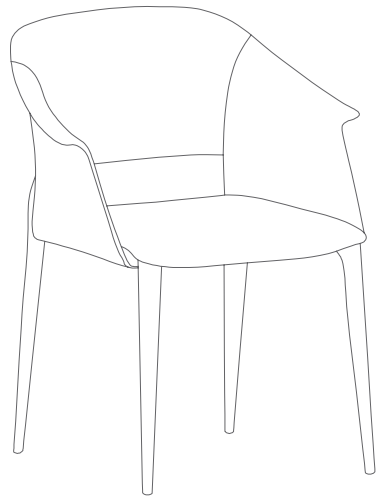
INTERIOR STRUCTURE PLYWOOD & FIBER

PADDING 35 DNS SOFT FOAM

Norde

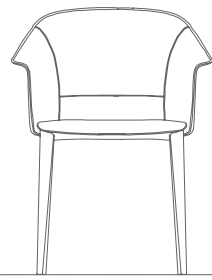
Designed by
Norde Design Studio





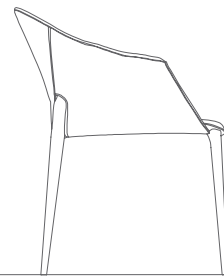
-59.5 CM-

-63 CM-



-59.5 CM-

-79 CM-



-63 CM-

Catalog product-fabric

Leather



Catalog product-Legs

Leather





MONA CHAIR

Norde

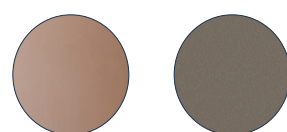
TECHNICALS PECIFICATIONS

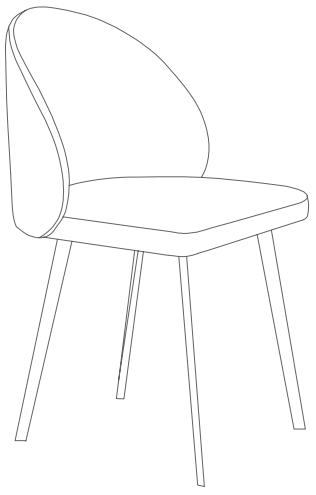
Designed by
Norde Design Studio

INTERIOR STRUCTURE PLYWOOD & FIBER

PADDING 35 DNS SOFT FOAM

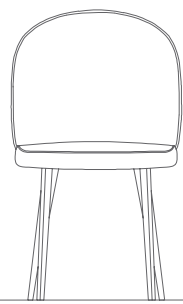
UPHOLSTERY TIGHT





- 51 CM -

- 59 CM -



- 51 CM -

- 87 CM -



- 59 CM -

Catalog product-fabric

Leather



Catalog product-Legs

Painted metal leg





CORVUS BAR CHAIR

TECHNICALS PECIFICATIONS

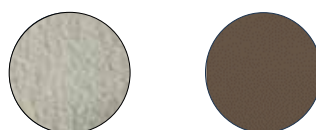
Norde

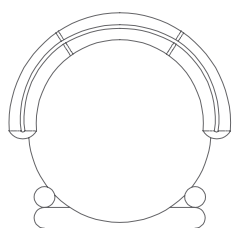
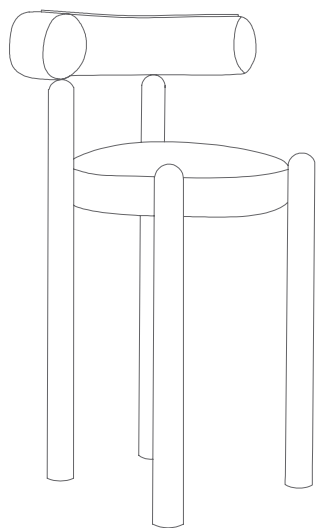
Designed by
Norde Design Studio

INTERIOR STRUCTURE POLYURETHANE FOAM

PADDING 35 DNS SOFT FOAM

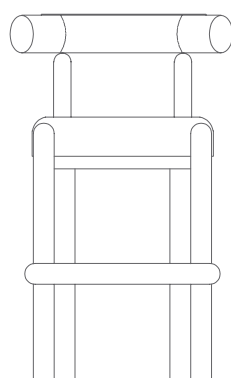
UPHOLSTERY TIGHT





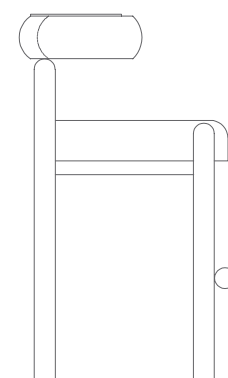
—64 CM—

—62 CM—



—64 CM—

—104.5 CM—



—62 CM—

Catalog product-fabric

N-A20/Boucle



02

Alternative fabric
Linen,Linen teddy,Boucle and Suede

Catalog product-Legs

Cappuccino Painted Metal



Fabric Matrix



Material Catalogue





A NEUTRAL LIVING ROOM WITH
THE COMFORT THAT YOU NEED.





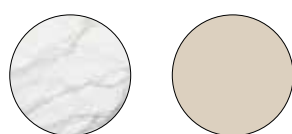
YUI TABLE

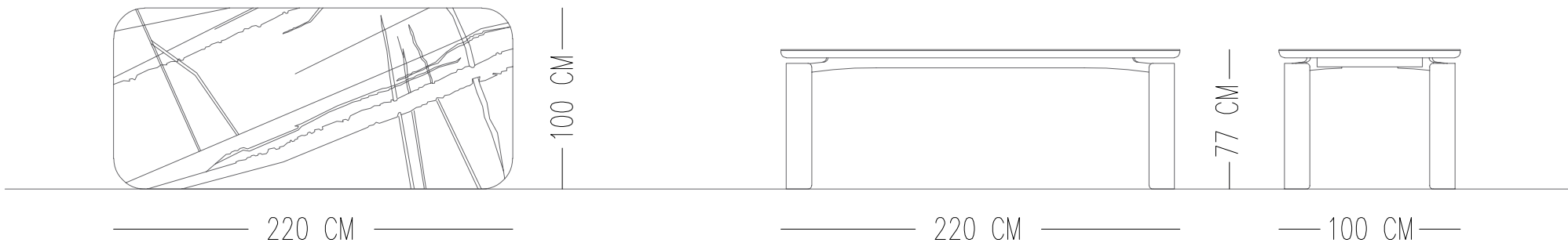
Norde

TECHNICAL SPECIFICATIONS

Designed by
Gülsah Soygüner

TABLE TOP	WOOD LAQUER PAINT-SILK MAT PORCELAIN CERAMIC CALACATTA MICHELANGELO
LEGS	METAL





Catalog product

Top/Under
 Laquer painted wood-Soft touch-silk mat
 under porcelain ceramic



Catalog product

Porcelain Ceramic-Calacatta
 Michelangelo-polish



Legs
 Lacquer Painted on Wood-Soft touch



Material Catalogue



Alternative material
 All porcelain ceramic,marble,laquer paint,oakwood
 veneering in Norde material cataloge



YUI TABLE

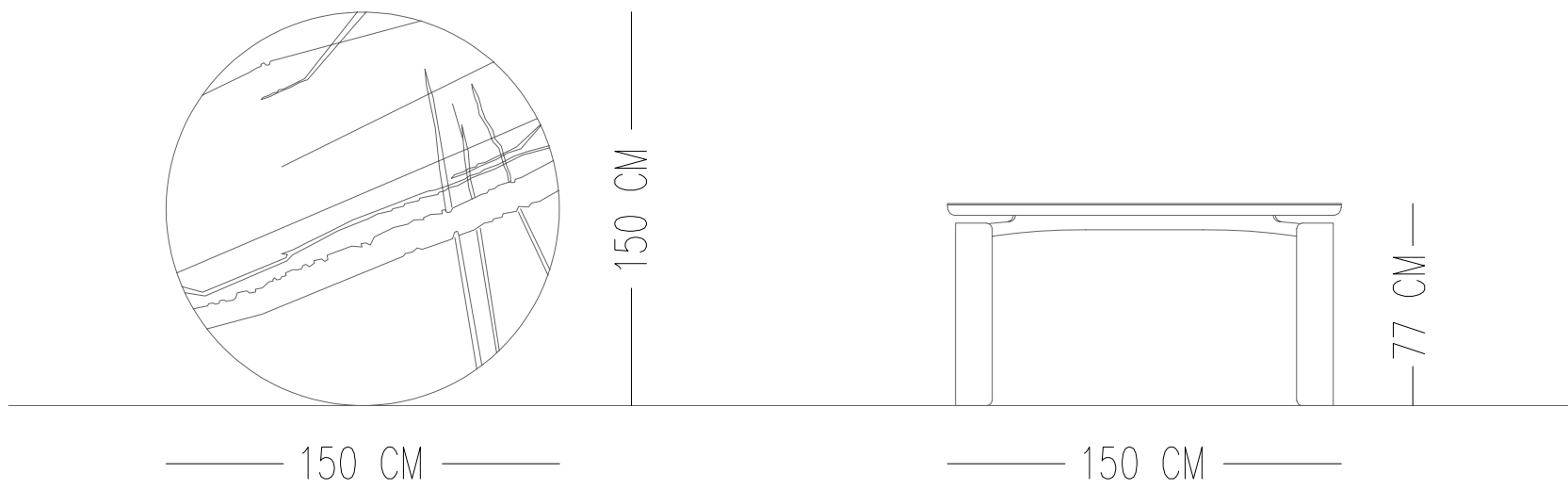
Norde

TECHNICAL SPECIFICATIONS

Designed by
Gülsah Soygüner

TABLE TOP	WOOD LAQUER PAINT-SILK MAT PORCELAIN CERAMIC CALACATTA MICHELANGELO
LEGS	METAL





Catalog product

Top
Laquer Painted on wood (matt)-Cinnamon-silk mat



Catalog product

Porcelain Ceramic-Calacatta
Michelangelo-polish



Legs
Lacquer Painted on Wood-Soft touch



Material Catalogue



Alternative material
All porcelain ceramic,marble,laquer paint,oakwood
veneering in Norde material cataloge



MARLON ROUND TABLE

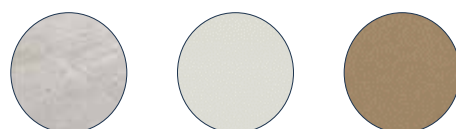
Norde

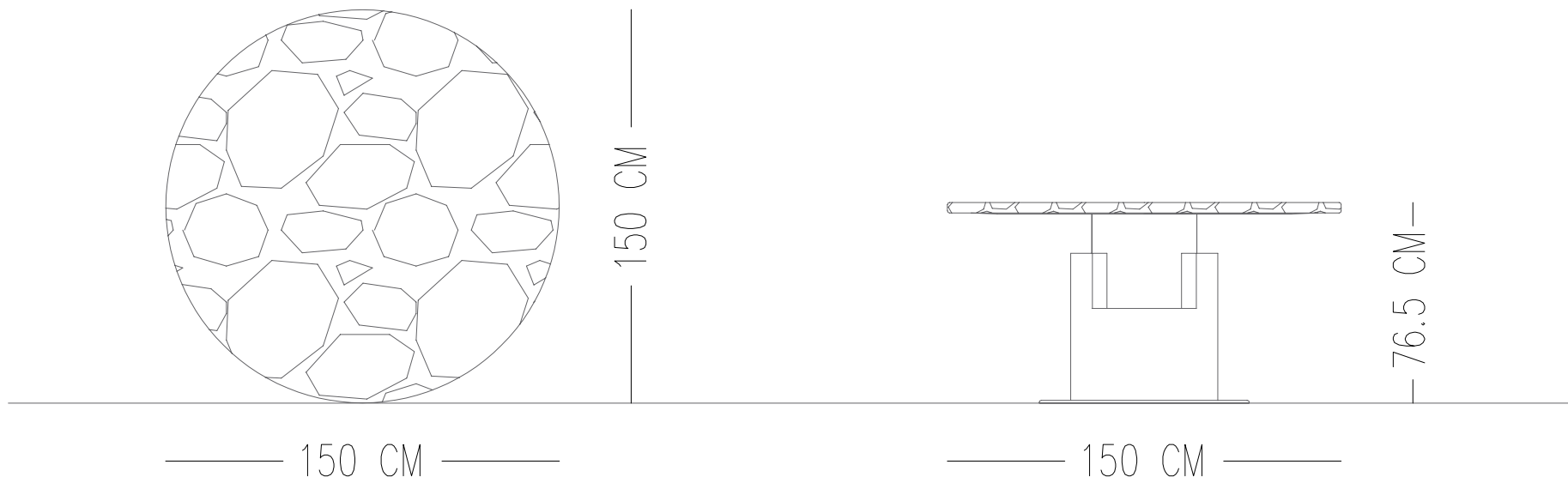
TECHNICAL SPECIFICATIONS

Designed by
Norde Design Studio

TOP/MARBLE

LEG:LAQUER PAINTED ON WOOD MATT SOFT TOUCH AND BRASS METAL FINISH





Catalog product

Top
Elegant Beige 3 Honed marble



Alternative material
All Marble in Norde material catalog
All Lacquer painted on wood (matt)
in Norde material catalog

Catalog product

Legs
Lacquer painted on wood (matt) soft touch



Painted metal 04 Brass metal
finish on wood

Alternative material
All Lacquer painted on wood (matt) in Norde material catalog
Laquer painted on wood (matt) all ral color
All metal finishes on wood in Norde material catalog

Material Catalogue





ATHENA TABLE

TECHNICAL SPECIFICATIONS

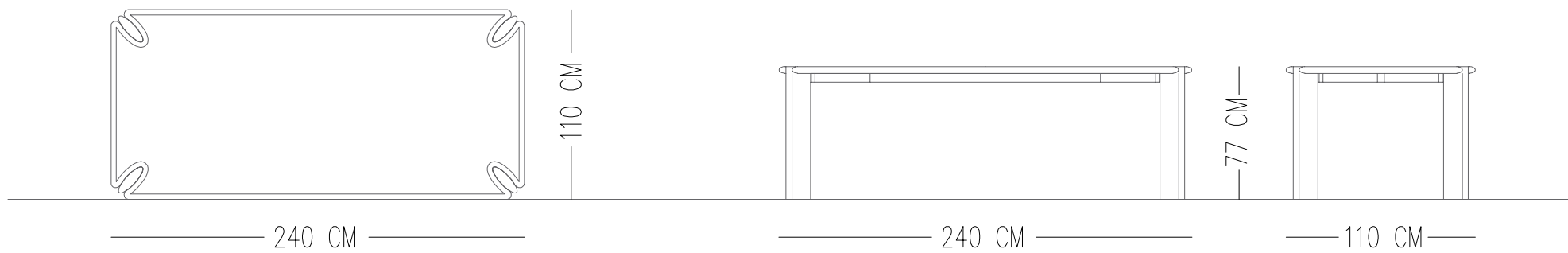
STRUCTURE

OAK VENEERING, WITH BLACK MATT VARNISH

Norde

Designed by
Norde Design Studio





Catalog product

Top
Oak veneering with black matt varnish
With rose shine



Alternative material
All Wood Veneering in Norde
Material Cataloge

Catalog product

Legs
Oak veneering with black matt varnish
With rose shine



Alternative material
All Wood Veneering in Norde
Material Cataloge

Material Catalogue





ASTRA ROUND TABLE

TECHNICAL SPECIFICATIONS

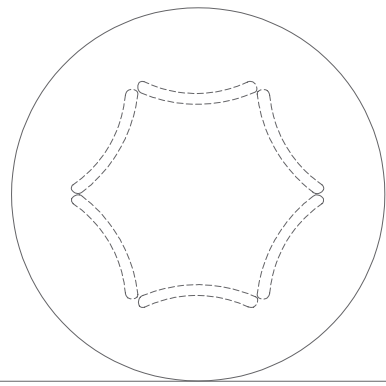
STRUCTURE

TOP: NATURAL STONE
BASE: NATURAL WOOD

Norde

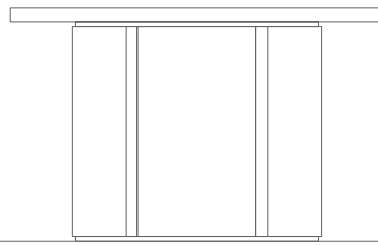
Designed by
Norde Design Studio





120 CM

120 CM

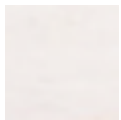


75 CM

120 CM

Catalog product

Top
Natural stone

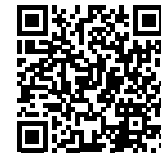


Catalog product

Legs
Natural wood



Material Catalogue



Alternative material
Legs are natural wood painted black



LOTUS ROTATING TABLE

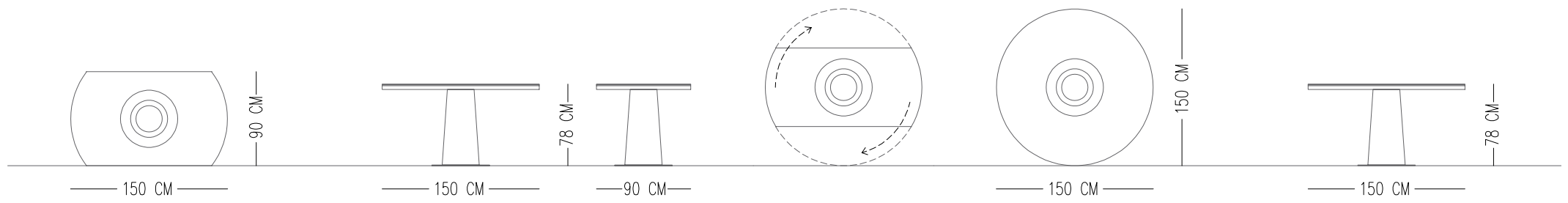
Norde

TECHNICAL SPECIFICATIONS

Designed by
Norde Design Studio

TABLE TOP PORCELAIN CERAMIC
LEGS WOOD PAINTED BRONZE BROWN AND BRASS METAL DETAIL





Catalog product

Top



Porcelain Ceramic

Alternative material

All marble, porcelain ceramic in Norde material catalogue.

Legs: All painted metal in Norde material catalogue

Catalog product

Legs

Painted metal-black, Painted metal 04 Brass metal



Material Catalogue





MARLON TABLE

TECHNICALS PECIFICATIONS

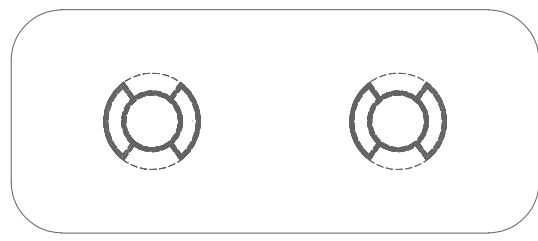
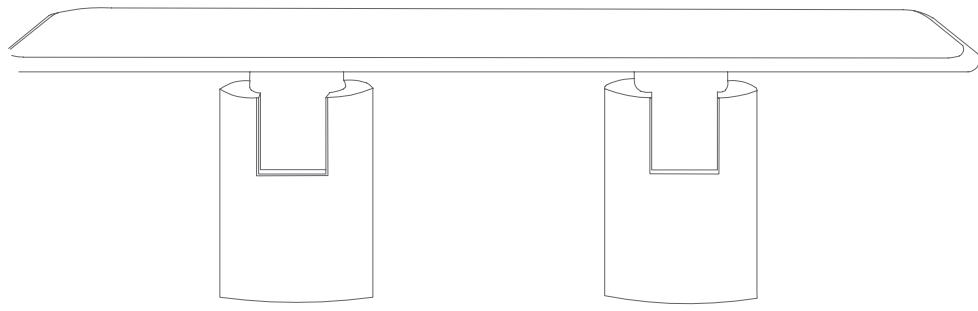
Norde

Designed by
Norde Design Studio

TOP ELEGANT BEIGE MARBLE

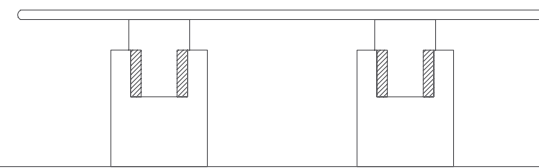
LEGS SPECIAL PAINT FINISH ON MDF





260 CM

110 CM



260 CM

77 CM

Catalog product

Top
Elegant Beige 3 Honed marble



Alternative material
All Marble in Norde material catalog
All Laquer painted on wood (matt)
in Norde material catalog

Catalog product

Legs



Lacquer painted on wood (matt) special
Painted metal 04 Aged Brass metal finish on wood

Alternative material
All Lacquer painted on wood (matt) in Norde material catalog
Lacquer painted on wood (matt) all ral color
All metal finishes on wood in Norde material catalog

Material Catalogue





CLEMENTINE TABLE

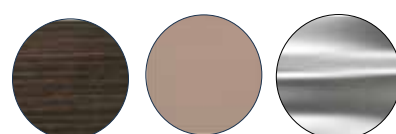
TECHNICAL SPECIFICATIONS

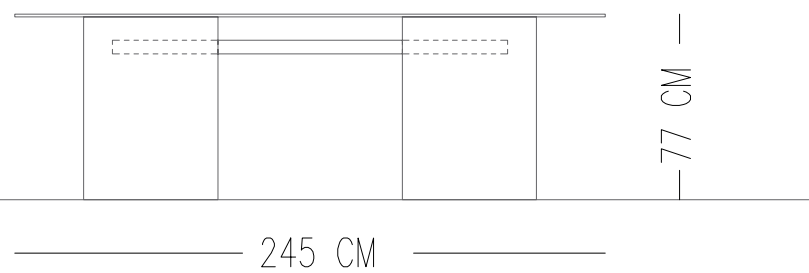
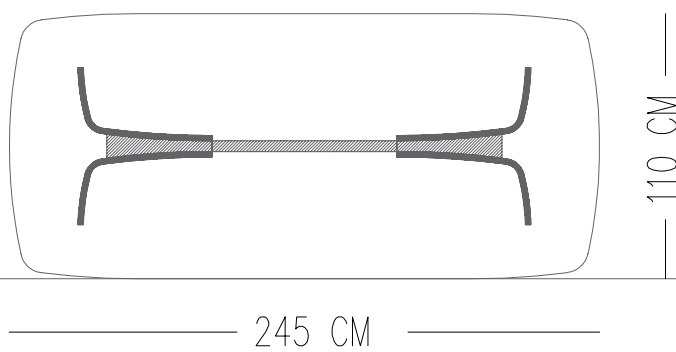
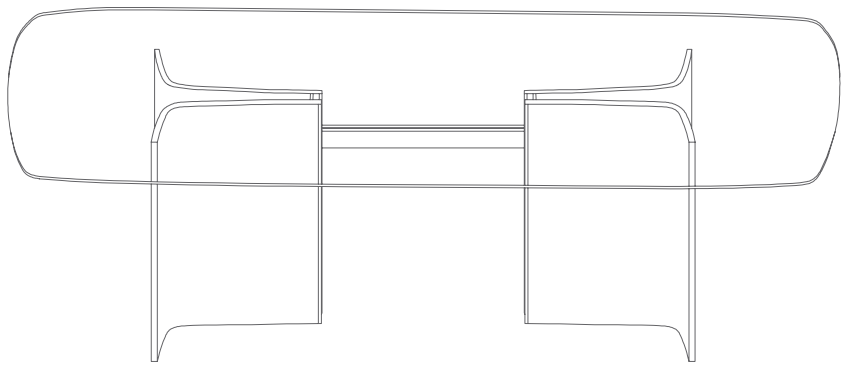
Norde

Designed by
Tugce Kartbogun

TOP	BRONZE GLASS
LEGS	NATURAL OAK VENEERING WITH PAINT FINISH

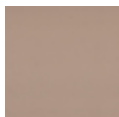
TABLE TOP MATERIAL VARIATION : BRONZE, SMOKED, CLEAR GLASS ALTERNATIVES
LEGS MATERIAL VARIATION : NATURAL WOOD FINISH / REQUESTED LAQUER PAINT FINISH





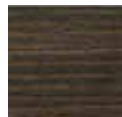
Catalog product

Top
Bronze glass 6mm+6mm tempered glass



Catalog product

Legs
Oak Veneering with Natural Varnish&chromium



Material Catalogue



Alternative material
All glass and painted glass in Norde material catalog
All Oak Veneering in Norde material catalog
All wood Lacquer painted in Norde material catalog

Alternative material
All Oak Veneering in Norde material catalog
All wood Lacquer painted in Norde material catalog
Lacquer painted on wood (matt)



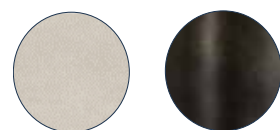
AUDREY TABLE

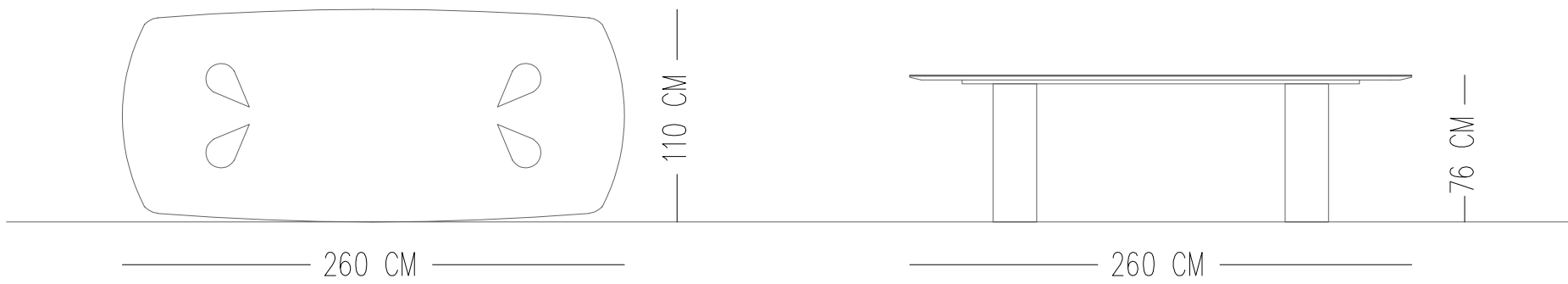
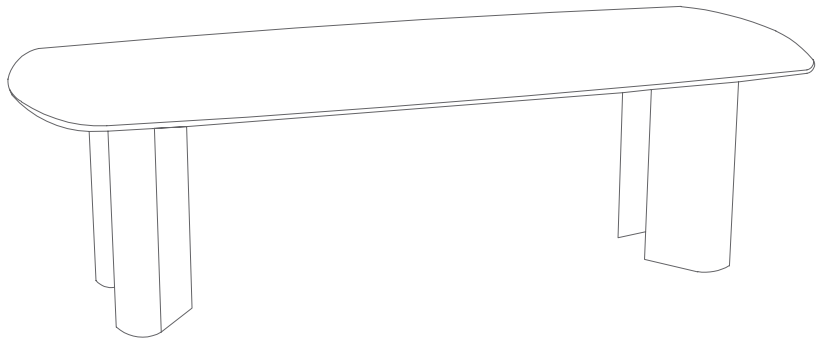
TECHNICAL SPECIFICATIONS

Norde

Designed by
Norde Design Studio

TOP PAINTED GLASS WITH MDF BACKING





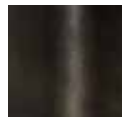
Catalog product

Top
Porcelain Ceramic Fokos Sale



Catalog product

Legs
Painted metal finish



Material Catalogue



Alternative material
All Porcelain Ceramic in Norde material catalog
All oak wood Veneering in Norde material catalog
All wood Laquer painted in Norde material catalogue

Alternative material
All metal finishes on wood in Norde material catalog



PIETRA TABLE

Norde

TECHNICALS PECIFICATIONS

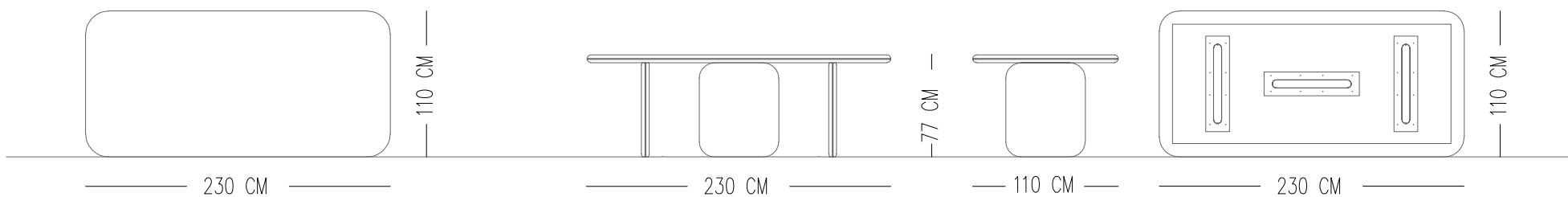
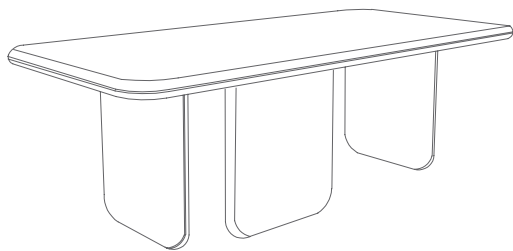
Designed by
Norde Design Studio

TABLE TOP FINISH

SANDBLASTED OAK WOOD VENEERING WITH BLACK VARNISH

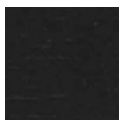
TABLE TOP MATERIAL VARIATION : OAK WOOD VENEERING FINISHES IN NORDE MATERIAL CATALOGUE





Catalog product

Table top material
 Sandblasted oak wood veneering with black Varnish



Alternative material
 All Oak wood Veneering in Norde Material catalog

**If Natural oak is chosen, the color may be different from the edge wood

Catalog product

Legs
 Laquer painted on wood (matt) black



Alternative material
 All Oak wood Veneering in Norde Material catalog
 All Wood Laquer paint in Norde Material catalog compatible with Table top finish

Material Catalogue





OLIVER TABLE

TECHNICAL SPECIFICATIONS

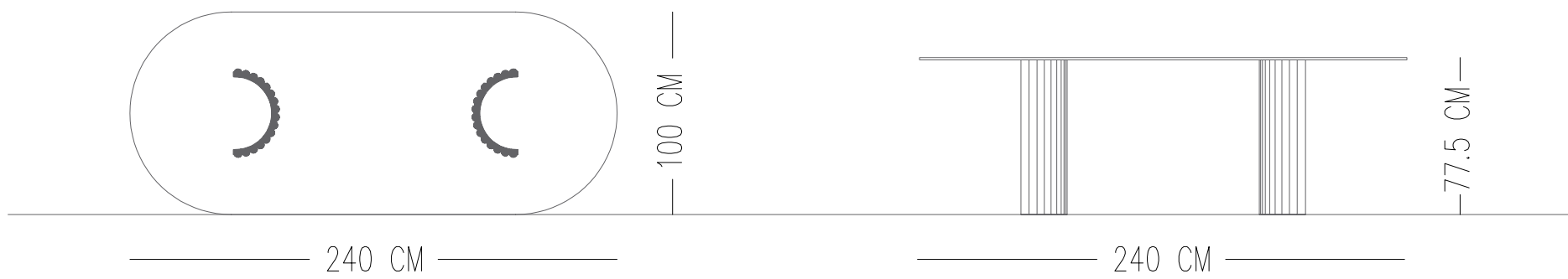
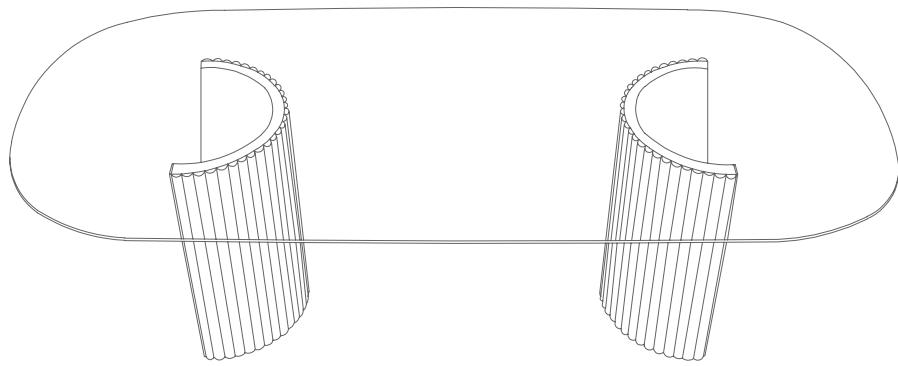
Norde

Designed by
Tugce Kurtbogan

TOP CLEAR GLASS

TABLE TOP MATERIAL VARIATION : ALL GLASS AND WOOD FINISHES IN NORDE MATERIAL CATALOGUE





Catalog product

Table top material
Clear glass



Catalog product

Legs
Laquer painted on oak veneering(matt) Terracota



Alternative material
All glass and painted glass colors in Norde
Material Catalog
All Oak wood Veneering in Norde Material catalog

Alternative material
All Oak wood Veneering in Norde Material catalog
All Laquer painted on oak veneering (mat) in Norde material catalog
**Legs may have different colors inside and outside

Material Catalogue





COSTA TABLE

TECHNICAL SPECIFICATIONS

Norde

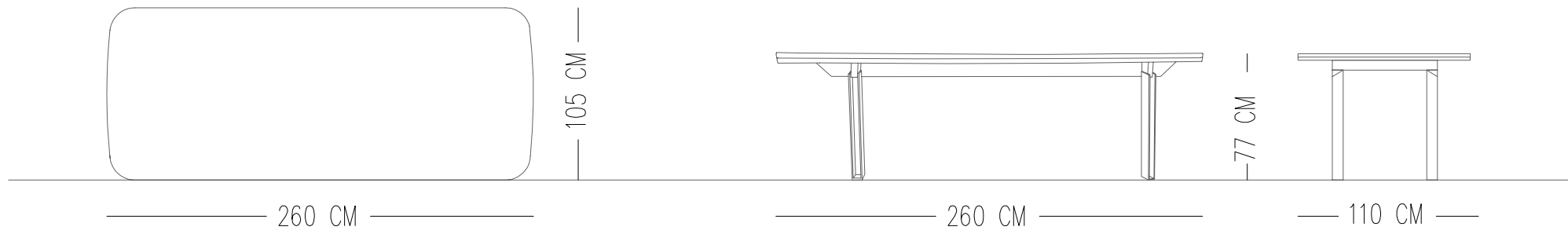
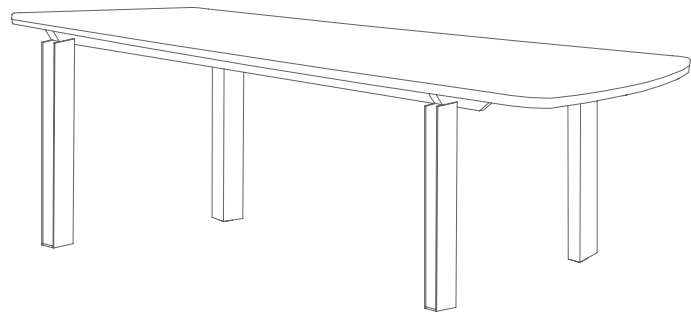
Designed by
Norde Design Studio

TABLE TOP FINISH

ICEBERG MARBLE

TABLE TOP MATERIAL VARIATION : ALL CERAMIC, MARBLE AND WOOD FINISHES IN NORDE MATERIAL CATALOGUE





Catalog product

Table top material
Iceberg Marble Honed with MDF



Alternative material
All marble in Norde Material Catalog
All Porcelain ceramic in Norde Material catalog

Catalog product

Legs
Painted metal 04 Aged Brass metal finish



Painted metal 4 Black with aged brass details

Alternative material
All metal finishes in Norde Material catalog

Material Catalogue





PATMOS TABLE

TECHNICAL SPECIFICATIONS

Norde

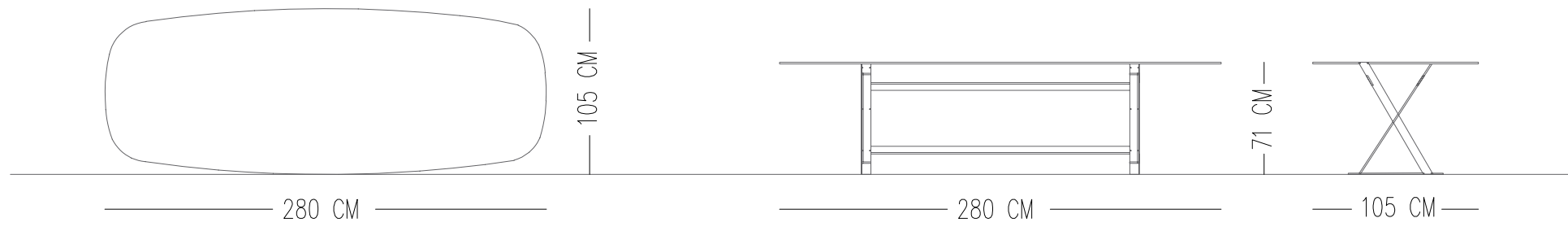
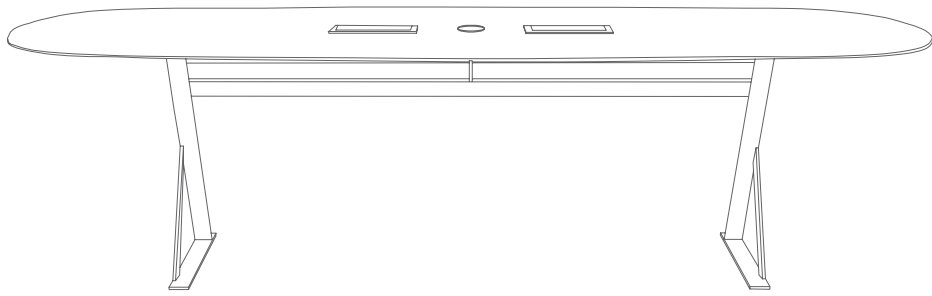
Designed by
Norde Design Studio

TABLE TOP FINISH

MARBLE OR PORCELAIN CERAMIC

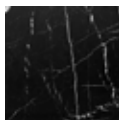
TABLE TOP MATERIAL VARIATION : ALL MARBLE & PORCELAIN CERAMIC FINISHES IN NORDE MATERIAL CATALOGUE





Catalog product

Table top material
Alexander Black marble polished



Catalog product

Legs
Painted metal 4 Black



Material Catalogue



Alternative material
All marble in Norde Material Catalog
All Porcelain ceramic in Norde Material catalog

Alternative material
All metal finishes in Norde Material catalog



GENEROUS PROPORTIONS, MADE OF THE
FINEST MATERIALS AND RICH IN DETAILS.





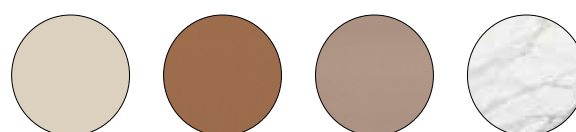
YUI SIDEBOARD

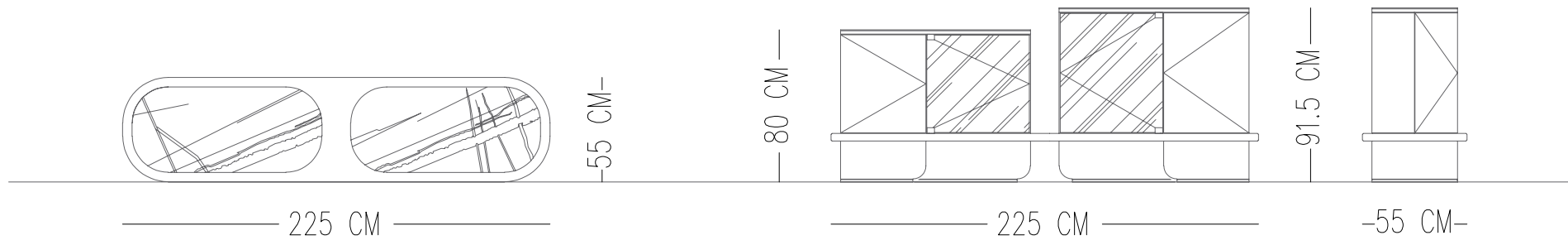
TECHNICAL SPECIFICATIONS

- 1 STRUCTURE/OAK WOOD LAQUER PAINTED-SILK MAT
- 2 STRUCTURE/OAK WOOD LAQUER PAINTED-SILK MAT
- 3 GLASS-PUSH OPEN CABINET DOOR AND SHELF
- 4 PORCELAIN CERAMIC

Norde

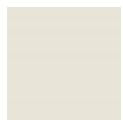
Designed by
Gülsah Soyluer





Catalog product

Structure
Lacquer Painted on Wood
Soft touch



Structure Line
Lacquer Painted On Wood (Matt)
Cinnamon



Cover/Shelf
Bronze Glass



Top Material
Porcelain Ceramic-Calacatta
Michelangelo-polish



Material Catalogue



Alternative material
All porcelain ceramic, Lacquer paint in Norde
material catalogue



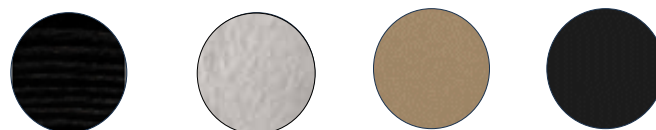
ORBIT SIDEBOARD

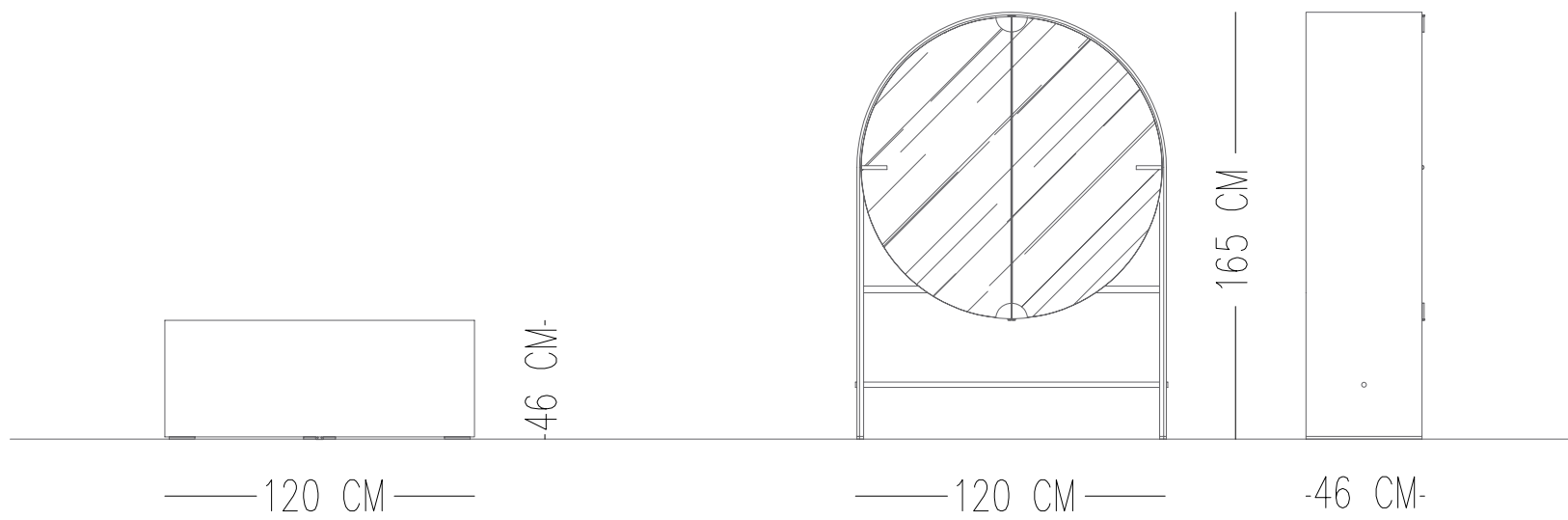
Norde

TECHNICAL SPECIFICATIONS

Designed by
Norde Design Studio

STRUCTURE SANDBLASTED OAKWOOD VENEERING WITH BLACK POLISH VARNISH
SMOKED GLASS-6 MM CABINET DOOR
SATIN BRASS PAINTED METAL HANDLE
AND SYLINDER ROD BLACK GLASS HINGE PROFILE





Catalog product

Structure
Sandblasted Oakwood
Veneering



Black Polish Varnish

Textured
Glass



Metal
Satine brass
painted



Glass
Black



Material Catalogue



Alternative material
All oak wood Veneering, glass and metal in Norde
material catalogue



CIRCLE SIDEBOARD

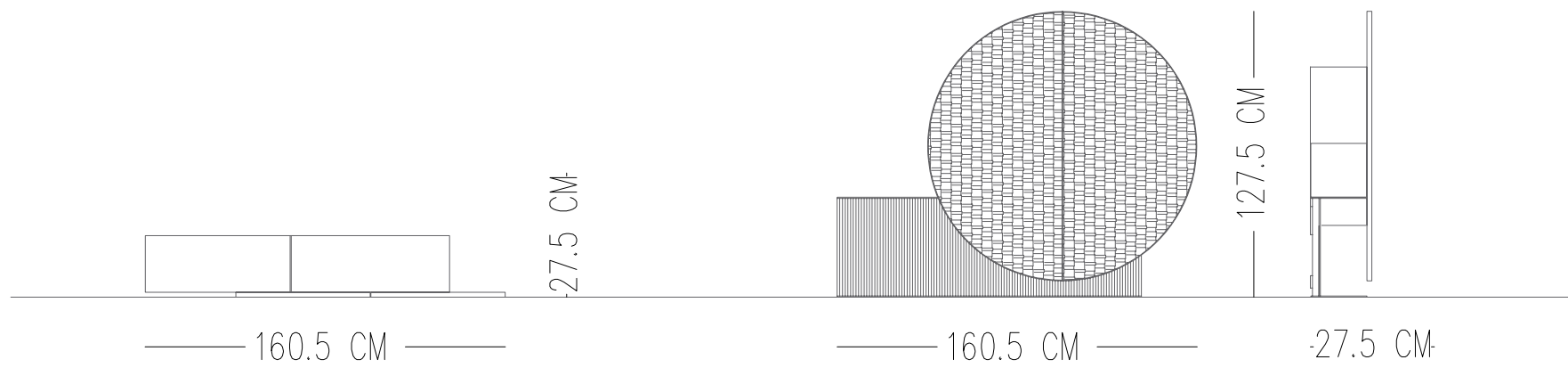
TECHNICAL SPECIFICATIONS

CIRCLE COVER: FRONT OF MATERIAL CORK INNER SHELVES 6 MM GLASS
SHELVES: INNER SHELVES 6 MM GLASS
BASE: WOOD LAQUER PAINTED-SILK MAT

Norde

Designed by
Norde Design Studio





Catalog product

Cork material



Oak wood veneering



Metal
Black



Material Catalogue



Alternative material
All Wood veneering and metal in Norde Material
Catalogue



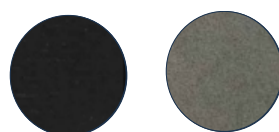
ATHENA SIDEBOARD

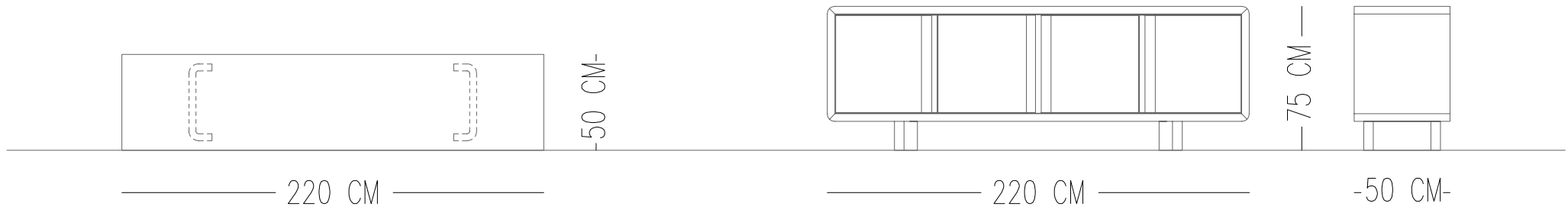
Norde

TECHNICAL SPECIFICATIONS

Designed by
Norde Design Studio

BASE: SANDBLASTED OAKWOOD VENEERING WITH BLACK VARNISH
CABINET DOORS: FABRIC COVERED CABINET DOORS
METAL DETAIL WOOD LEGS





Catalog product

Wood 04
Oak Veneering with
Black matt varnish-sandblasted
detail



N-A15 /Nubuk



015

Catalog product legs

Wood 04
Oak Veneering with
Black matt varnish-sandblasted detail



Material Catalogue



Alternative material
Alternative material/Base-All wood veneering, Cabinet doors-All fabric in
Norde material catalogue



CLEMENTINE SIDE BOARD

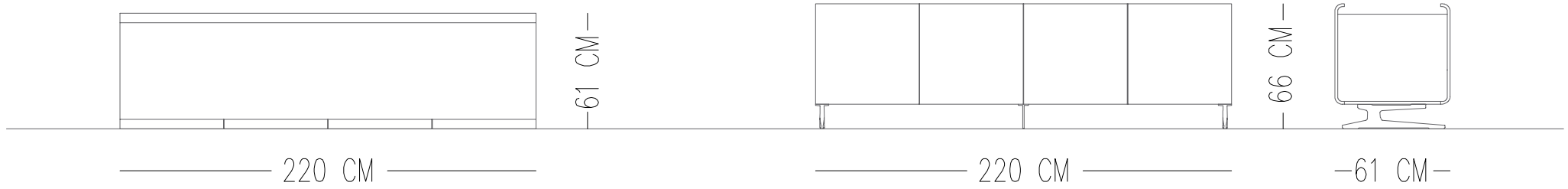
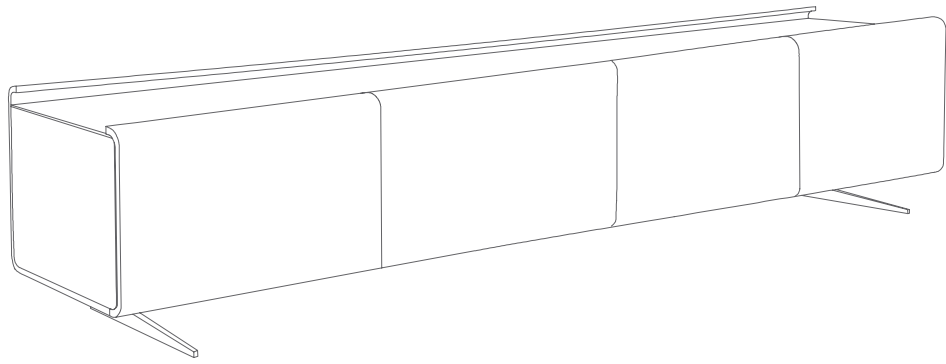
TECHNICAL SPECIFICATIONS

Norde

Designed by
Norde Design Studio

STRUCTURE NATURAL OAK VENEERING WITH PAINT FINISH





Catalog product

Structure
Oak Wood Veneering with Laquer Painted on wood (matt) cappuccino



Top/Porcelain Ceramic Calacatta



Catalog product

Legs
Painted metal 4 Black

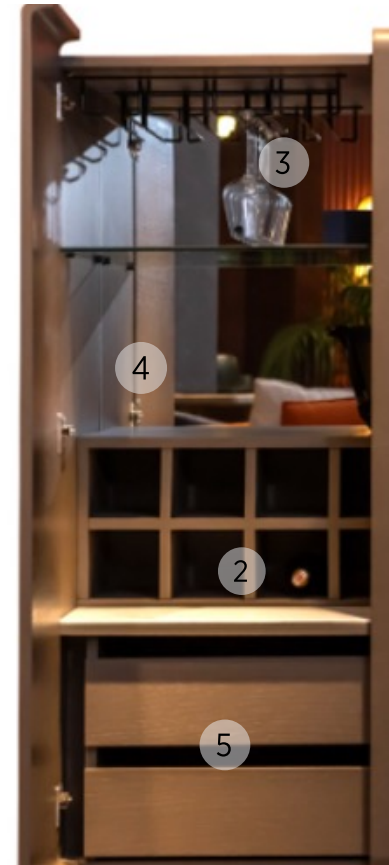


Alternative material
Structure
All wood Laquer Paint in Norde Material Catalog
All Oak Wood Veneering in Norde Material Catalog

Top
All porcelain Ceramic in Norde Material Catalog
All glass in Norde Material Catalog

Material Catalogue





- 1 BACK OF CABINET INTERIOR - MIRROR
- 2 CERAMIC SHELF
- 3 METAL GOBLET UNIT
- 4 GLASS SHELF
- 5 STRUCTURE & DRAWER & BOTTLE HOLDER

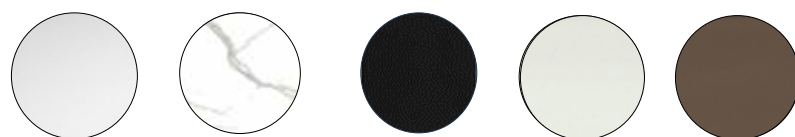
CLEMENTINE SIDEBOARD

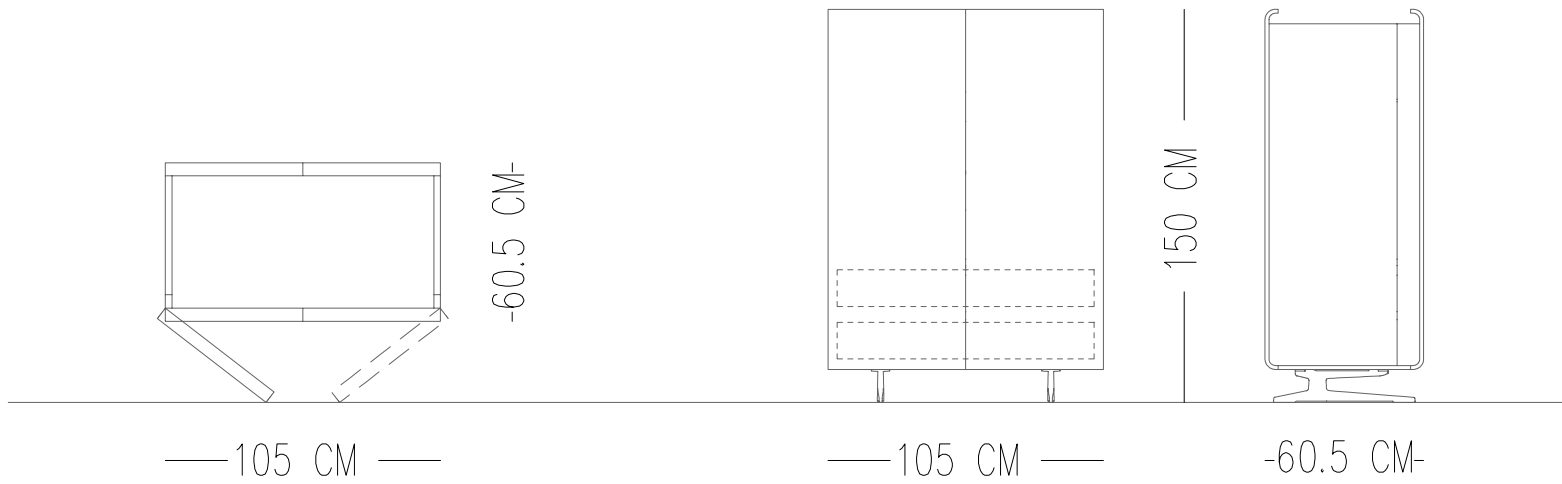
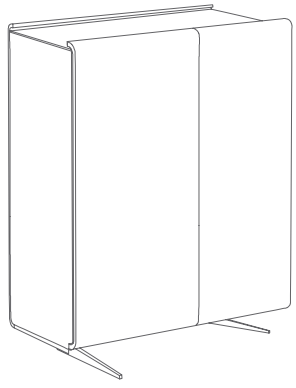
TECHNICAL SPECIFICATIONS

STRUCTURE OAK WOOD VENEERING WITH LAQUER PAINTED ON WOOD

Norde


Designed by
Norde Design Studio



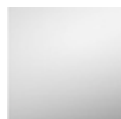


Catalog product


Structure
Oak Wood Veneering with Lacquer Painted on wood (matt) cappuccino

 Alternative material
All wood Lacquer Paint in Norde Material Catalog
All Oak Wood Veneering in Norde Material Catalog


Cabinet interior back
Clear mirror

 Alternative material
All mirror in Norde material catalog


Glass shelf
Clear glass

 Alternative material
All glass and painted glass colors in Norde Material Catalog

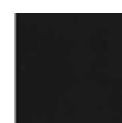
Shelft
Porcelain Ceramic-Calacatta

 Alternative material
All porcelain ceramic in Norde material catalog

Goblet unit
Painted metal 4 Black

 Alternative material
All metal finishes in Norde Material catalog

Legs
Painted metal 4 Black

 Alternative material
All metal finishes in Norde Material catalog

Material Catalogue





AUDREY SIDE BOARD

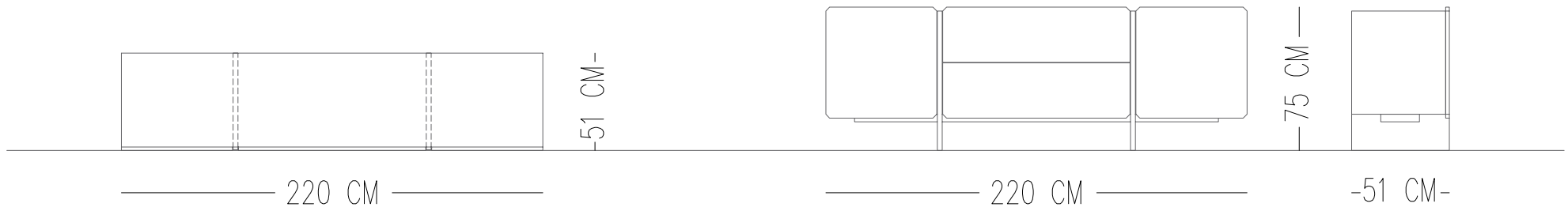
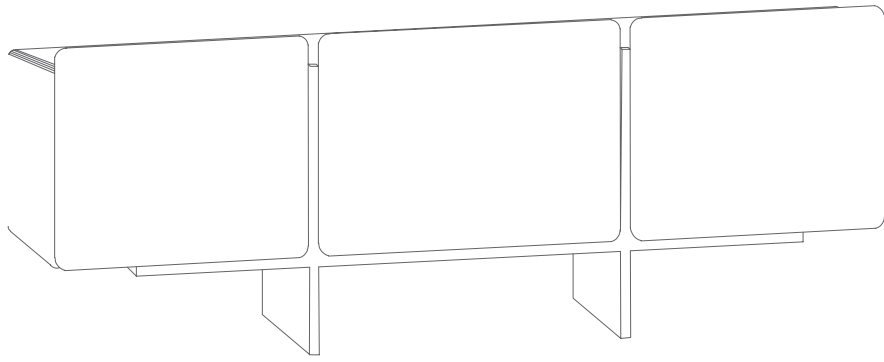
TECHNICAL SPECIFICATIONS

Norde

Designed by
Nur Benay Bakir

STRUCTURE NATURAL OAK VENEERING WITH PAINT FINISH





Catalog product

Structure
Oak Wood Veneering with Lacquer Painted on wood
(matt) terracotta



Alternative material
All wood Laquer Paint in Norde Material Catalog
All Oak Wood Veneering in Norde Material Catalog

Catalog product

Legs
Oak Wood Veneering with Lacquer painted on wood
(matt) black



Alternative material
All metal finishes in Norde Material catalog

Material Catalogue





OLIVER SIDE BOARD

TECHNICAL SPECIFICATIONS

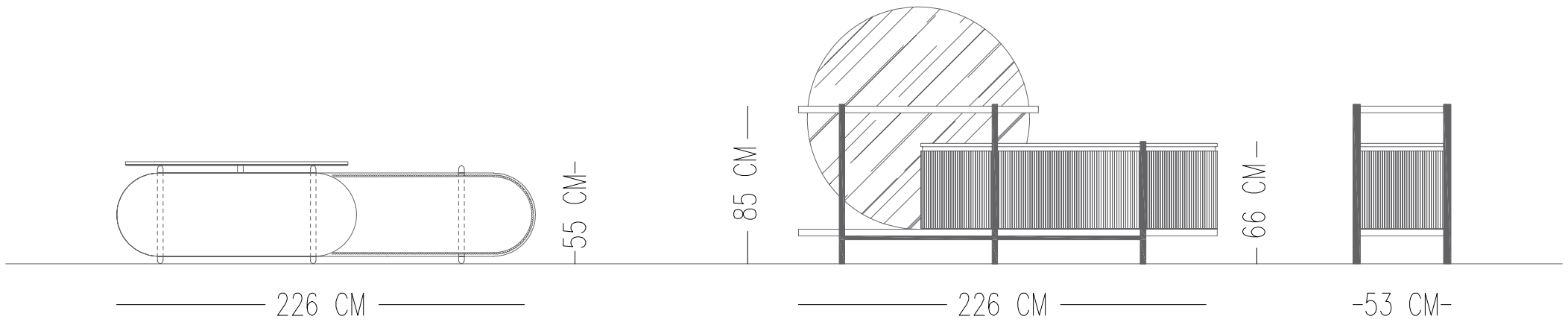
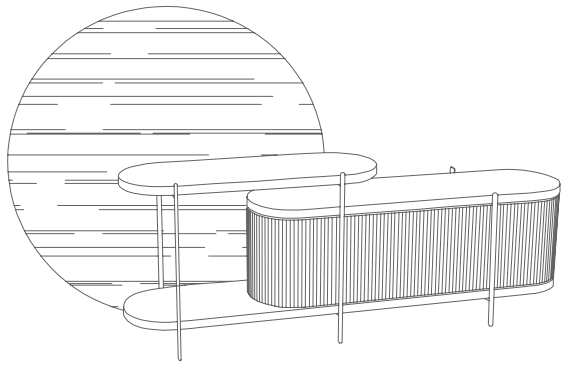
Norde

Designed by
Tugce Kurtbogan

STRUCTURE LAQUER PAINT ON WOOD (TERRACOTA)
NATURAL OAK VENEERING WITH NATURAL FINISH

MIRROR SMOKED MIRROR





Catalog product

Structure
Oak Wood Veneering with Lacquer Painted on wood (matt) terracotta

Oak Wood Veneering with natural varnish



Alternative material
All wood Laquer Paint in Norde Material Catalog
All Oak Wood Veneering in Norde Material Catalog

Catalog product

Legs
Painted metal 04 aged brass metal finish



Mirror
Smoked mirror



Material Catalogue





COSTA SIDE BOARD

TECHNICAL SPECIFICATIONS

STRUCTURE

SANDBLASTED OAK WOOD VENEERING WITH BLACK VARNISH
LAQUER PAINTED ON WOOD (WHITE)

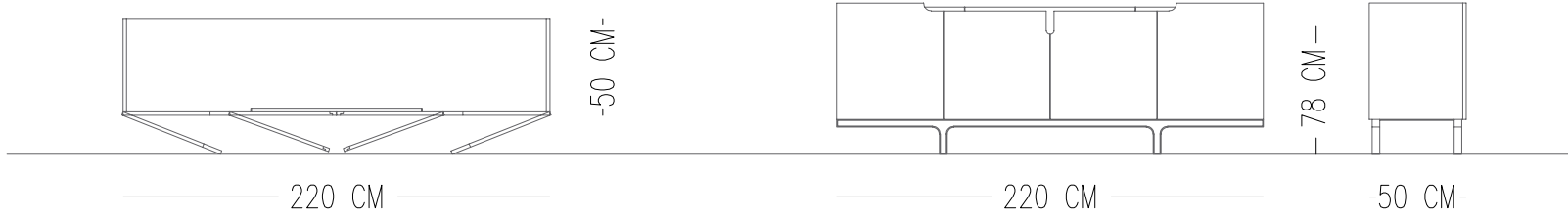
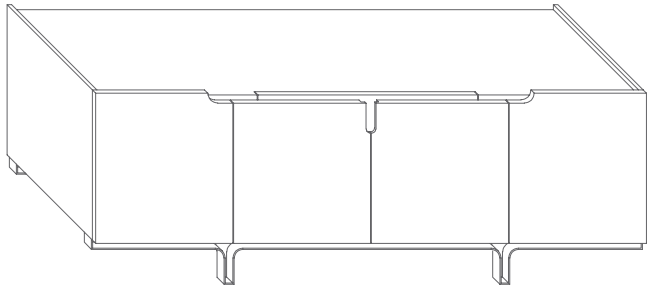
TOP

PORCELAIN CERAMIC

Norde

Designed by
Norde Design Studio





Catalog product

Structure
Oak Wood Veneering with black varnish



Alternative material
Structure
All wood Laquer Paint in Norde Material Catalog
All Oak Wood Veneering in Norde Material Catalog

Top
All porcelain Ceramic in Norde Material Catalog
All glass and mirror in Norde Material Catalog

Top/Porcelain Ceramic Calacatta



Alternative material
All metal finishes in Norde Material Catalog

Catalog product

Legs
Painted metal 04 Aged Brass metal finish



Material Catalogue





PIETRA SIDE BOARD

Norde

TECHNICAL SPECIFICATIONS

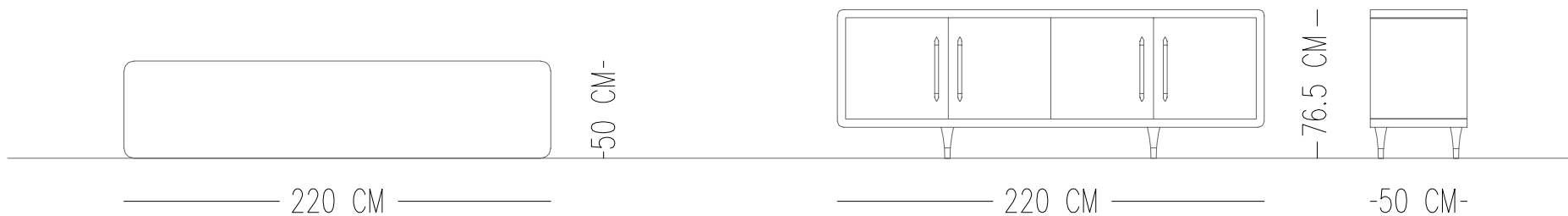
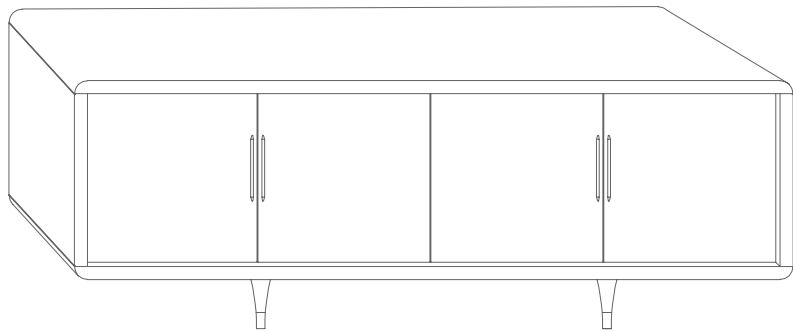
Designed by
Norde Design Studio

STRUCTURE SANDBLASTED OAK WOOD VENEERING WITH BLACK VARNISH

HANDLES BLACK METAL WITH BRASS AGING DETAIL. CABINET DOORS: HAZERAN FINISH

MATERIAL VARIATION : OAK WOOD VENEERING FINISHES IN NORDE MATERIAL CATALOGUE





Catalog product

Structure
Sandblasted Oak Wood Veneering with black varnish



Cabinet doors&Handle/Cabinet Doors
Black Rattan finish and black metal with brass aging detail

Alternative material
Structure
All Oak Wood Veneering in Norde Material Catalog

Catalog product

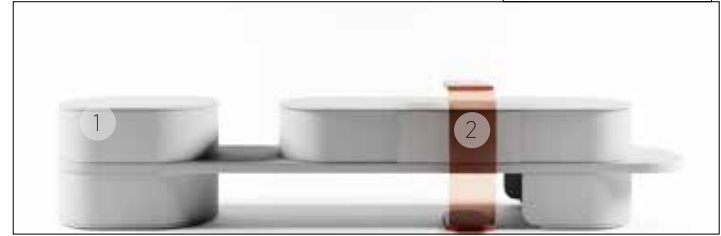
Legs
Oak wood black varnish with with painted metal 04 aged brass metal finish



Alternative material
All metal finishes in Norde Material Catalog

Material Catalogue





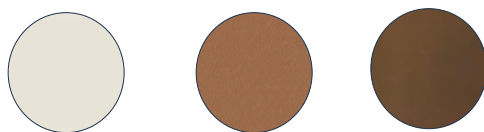
YUI TV UNIT

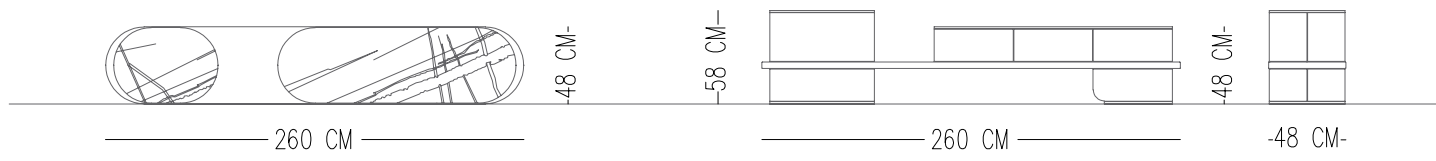
TECHNICAL SPECIFICATIONS

- 1 STRUCTURE/OAK WOOD LAQUER PAINTED-SILK MAT
- 2 PLEXY
- 3 METAL SHELF UNIT

Norde

Designed by
Gülsah Soyluer



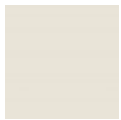


MODULES



Catalog product

Structure
Lacquer Painted on Wood
Soft touch



Catalog product

Metal Shelf Unit
Cinnamon



Plexy
Cinnamon



Material Catalogue



Alternative material
All oak wood laquer painted and metal in Norde
material catalog



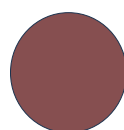
VOGUE TV UNIT

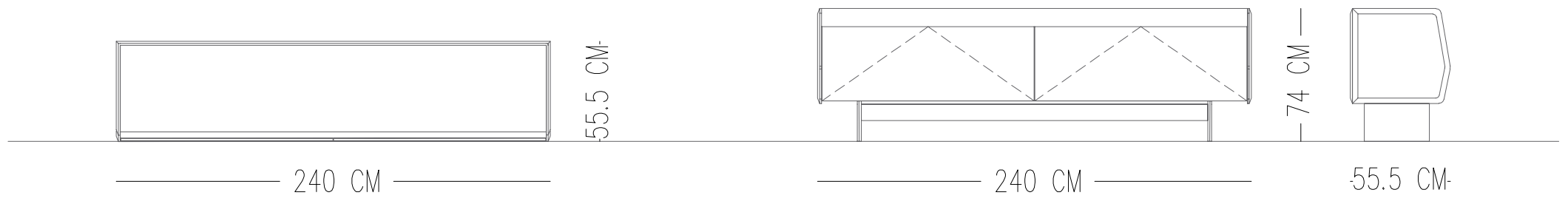
TECHNICAL SPECIFICATIONS

- 1 STRUCTURE/OAK WOOD LAQUER PAINTED-POLISH
- 2 STRUCTURE/OAK WOOD LAQUER PAINTED-POLISH FALLS COVER
- 3 LEGS /OAK WOOD LAQUER PAINTED-POLISH

Norde

Designed by
Norde Design Studio





Catalog product

Structure
Lacquer Painted on wood (gloss) RUBY



Catalog product

Legs
Lacquer Painted on wood (gloss) RUBY



Material Catalogue



Alternative material
All oak wood laquer painted and metal in Norde
material catalog



AUDREY TV UNIT

TECHNICAL SPECIFICATIONS

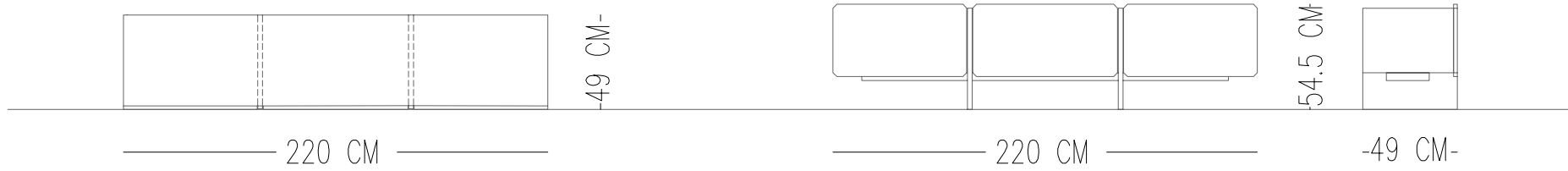
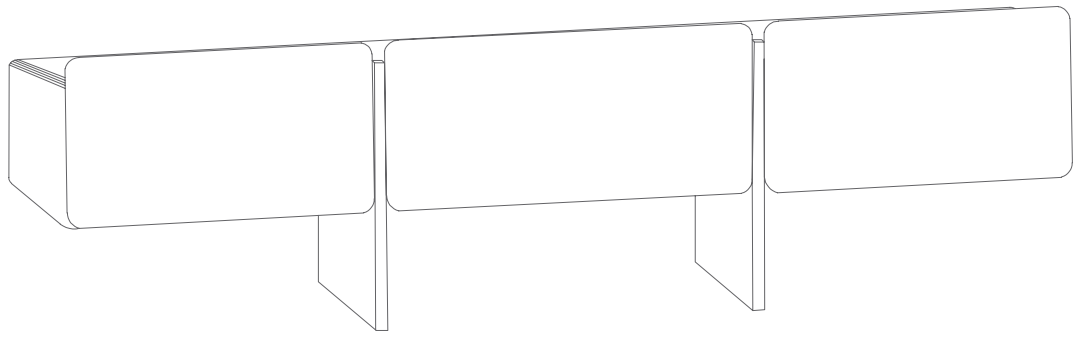
Norde

Designed by
Nur Benay Bakir

TOP & STRUCTURE

OAK VENEERING ON MDF WITH SANDBLASTED FINISH





Catalog product

Structure
Oak Wood Veneering with Lacquer Painted on wood
(matt) terracotta



Alternative material
All wood Lacquer Paint in Norde Material Catalog
All Oak Wood Veneering in Norde Material Catalog

Catalog product

Legs
Oak Wood Veneering with Lacquer painted on wood
(matt) black



Alternative material
All metal finishes in Norde Material catalog

Material Catalogue





- 1 CABINET DOOR/ GLASS
- 2 CABINET DOOR/ LAQUER PAINTED WOOD
- 3 CABINET DOOR/ GLASS

RITA TV UNIT

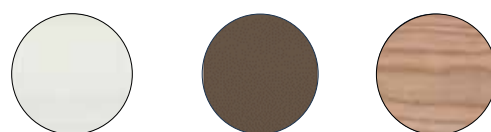
Norde

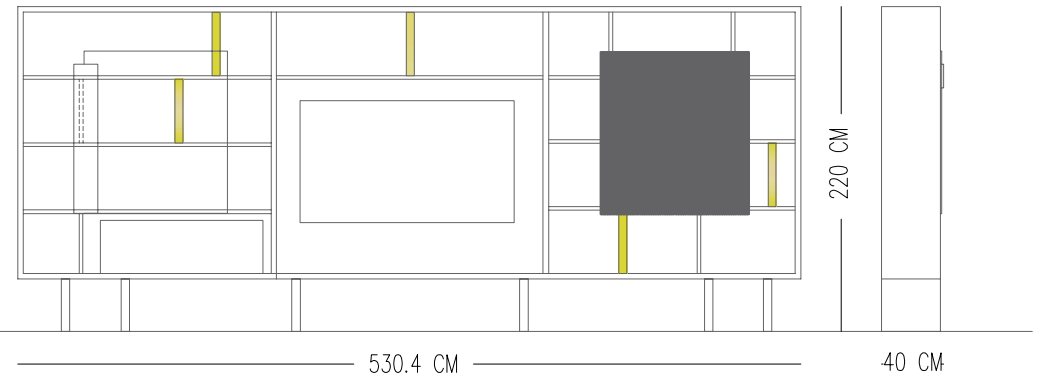
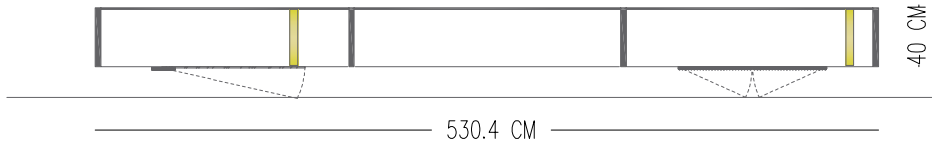
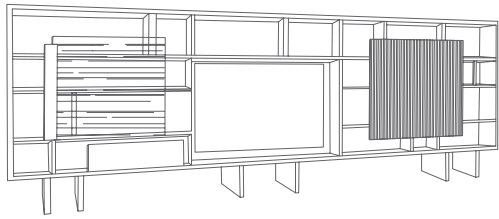
TECHNICAL SPECIFICATIONS

Designed by
Norde Design Studio

STRUCTURE

NATURAL OAK VENEERING ON WOOD WITH NATURAL VARNISH
 LACQUER PAINTED WOOD
 PLEXYGLASS LIGHTBOX VERTICAL ELEMENTS
 CLEAR GLASS CABINET DOOR





Catalog product

Structure
Oak Wood Veneering with natural varnish



Alternative material
All wood Lacquer Paint in Norde Material Catalog
All Oak Wood Veneering in Norde Material Catalog

Cabinet door
Lacquer painted wood (matt) cappucino



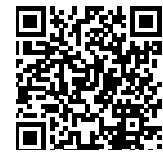
Alternative material
All Lacquer painted wood in Norde Material Catalog

Cabinet door
Clear Glass



Alternative material
All glass and painted glass color in Norde catalog

Material Catalogue





OLIVER TV UNIT

TECHNICAL SPECIFICATIONS

Norde

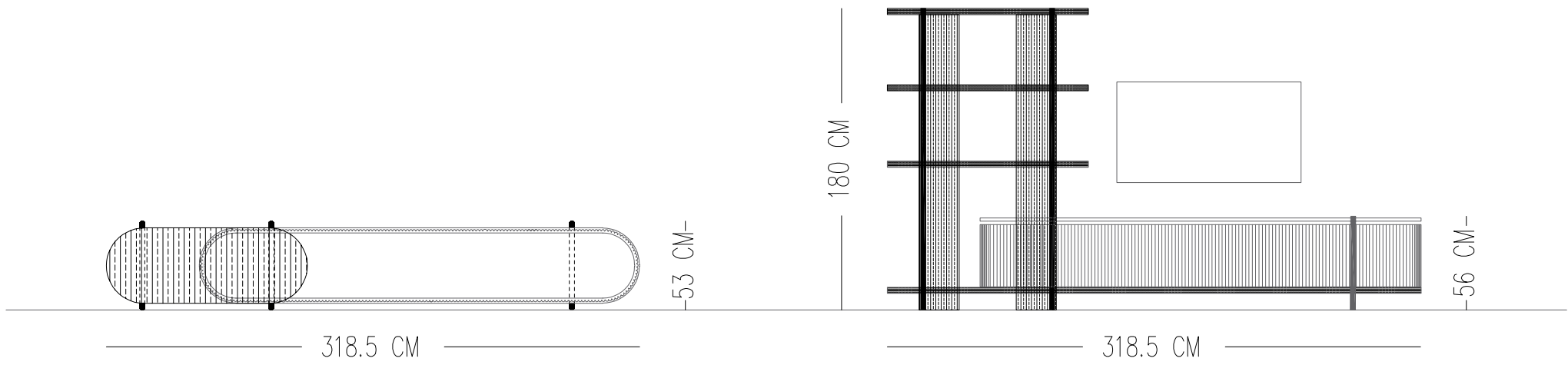
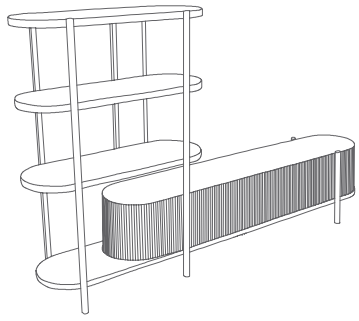
Designed by
Tugce Kurtbogan

STRUCTURE

LAQUER PAINT ON WOOD (TERRACOTA)
NATURAL OAK VENEERING WITH NATURAL FINISH

MATERIAL VARIATION : OAK WOOD VENEERING FINISHES IN NORDE MATERIAL CATALOGUE
ALL LACQUER FINISHES IN NORDE MATERIAL CATALOGUE





Catalog product

Structure
Oak Wood Veneering with Lacquer Painted on wood
(matt) terracotta

Oak Wood Veneering with natural varnish



Alternative material
All wood Lacquer Paint in Norde Material Catalog
All Oak Wood Veneering in Norde Material Catalog

Catalog product

Legs
Painted metal 04 aged brass
metal finish



Material Catalogue





- 1 LARGE SHELF UNIT
- 2 NARROW SHELF UNIT
- 3 TV&SHELF UNIT
- 4 WORKING TABLE &SHELF

MARLON TV UNIT&BOOKSHELF

Norde

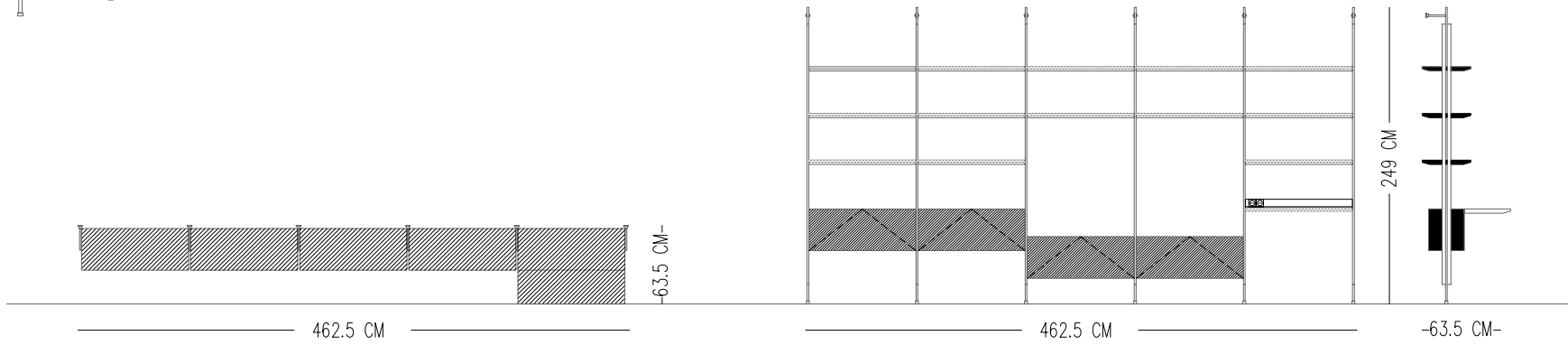
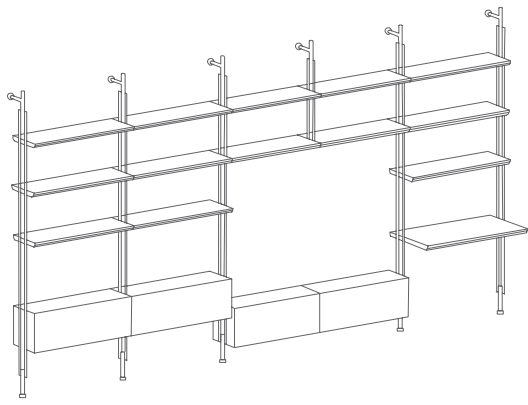
TECHNICAL SPECIFICATIONS

Designed by
Tugce Kurtbogan

STRUCTURE

OAK VENEERING ON MDF WITH SANDBLASTED BLACK PAINT
BLACK PAINTED METAL PROFILES





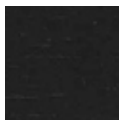
MATERIAL VARIATION : ALL WOOD VENEERING FINISHES IN NORDE MATERIAL CATALOGUE

MODUALTION CONSIST OF 3 DIFFERENT FUNCTIONS ALL MODULES CAN BE CONNECTED WITH EACH OTHER

- 1- BUFFET
- 2- TV
- 3- STUDY DESK

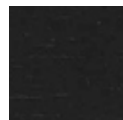
Catalog product

Structure
Sandblasted oak wood veneering with black



Catalog product

Legs
Painted metal 04



Material Catalogue



Alternative material
All metal finishes in Norde material catalog
All Oak wood Veneering in Norde Material catalog
Metal-satine blush and all ral color



CLEMENTINE TV UNIT

TECHNICAL SPECIFICATIONS

Norde

Designed by
Norde Design Studio

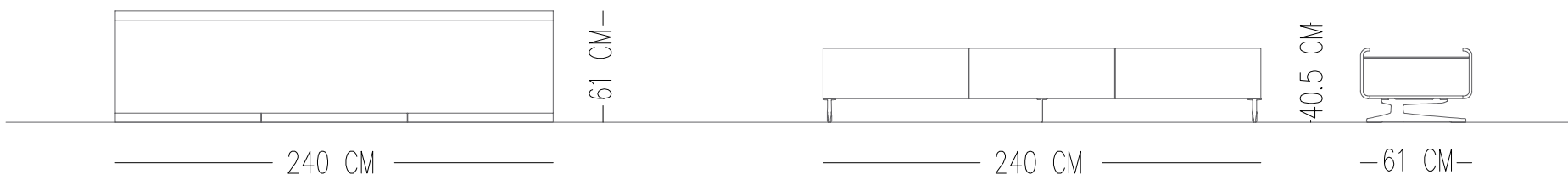
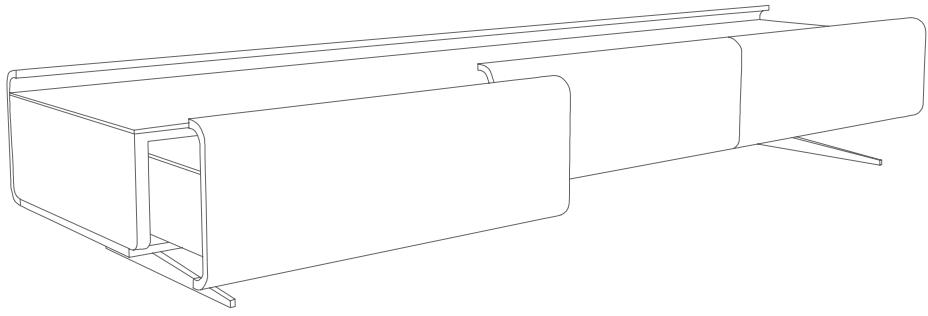
TOP

CERAMIC FINISH (OPTIONAL)

STRUCTURE

NATURAL OAK VENEERING (MATT POLISHED)





Catalog product

Structure
Oak Wood Veneering with Lacquer Painted on wood
(matt) cappuccino



Top/Porcelain Ceramic
Calacatta



Catalog product

Legs
Painted metal 4 Black



Material Catalogue



Alternative material

Structure
All wood Lacquer Paint in Norde Material Catalog
All Oak Wood Veneering in Norde Material Catalog

Top
All porcelain Ceramic in Norde Material Catalog
All glass in Norde Material Catalog



MOJO TV UNIT

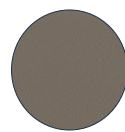
TECHNICAL SPECIFICATIONS

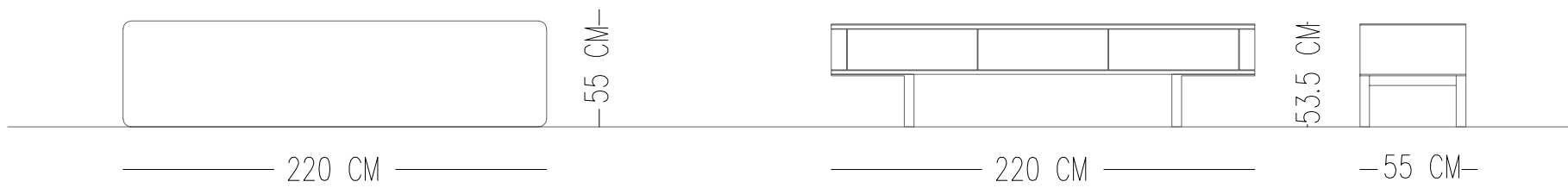
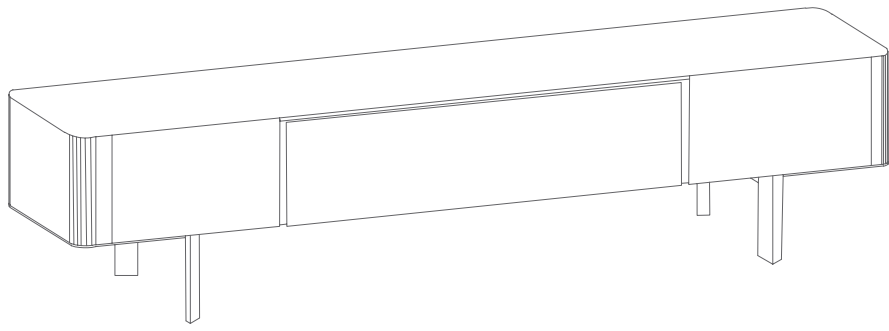
Norde

Designed by
Norde Design Studio

TOP & STRUCTURE

NATURAL OAK VENEERING (MATT POLISHED)





Catalog product

Structure
Structure/Oak Wood Veneering with natural varnish



Top/Porcelain Ceramic
Calacatta



Alternative material
Structure
All wood Lacquer Paint in Norde Material Catalog
All Oak Wood Veneering in Norde Material Catalog

Top
All porcelain Ceramic in Norde Material Catalog
All glass in Norde Material Catalog

Catalog product

Legs
Painted metal 2 Cappuccino RAL 7006



All metal finishes and painted metal colors in Norde material catalog

Material Catalogue





YUI CONSOLE TABLE

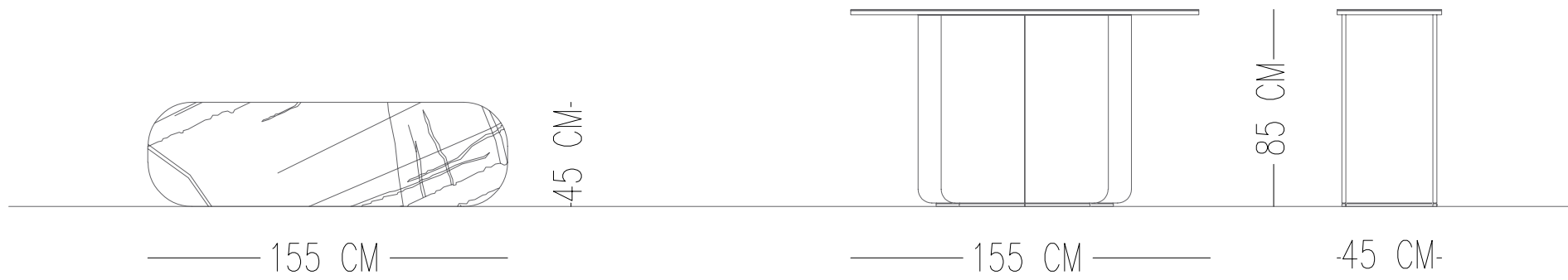
TECHNICAL SPECIFICATIONS

TOP: PORCELAIN CERAMIC-5 MM
OAK WOOD LAQUER PAINTED (INSIDE DIFFERENT COLOR) SILK MAT

Norde

esigned by
Gülsah Soyluver





Catalog product

Leg
Lacquer Painted on Wood
Soft touch



Catalog product

Leg Inside
Lacquer Painted On Wood
(Matt) Cinnamon



Top Material
Porcelain Ceramic Calacatta
Michelangelo Polish



Material Catalogue



Alternative material
All Porcelain ceramic and wood laquer paint in Norde
Material catalog



OLIVER CONSOLE TABLE

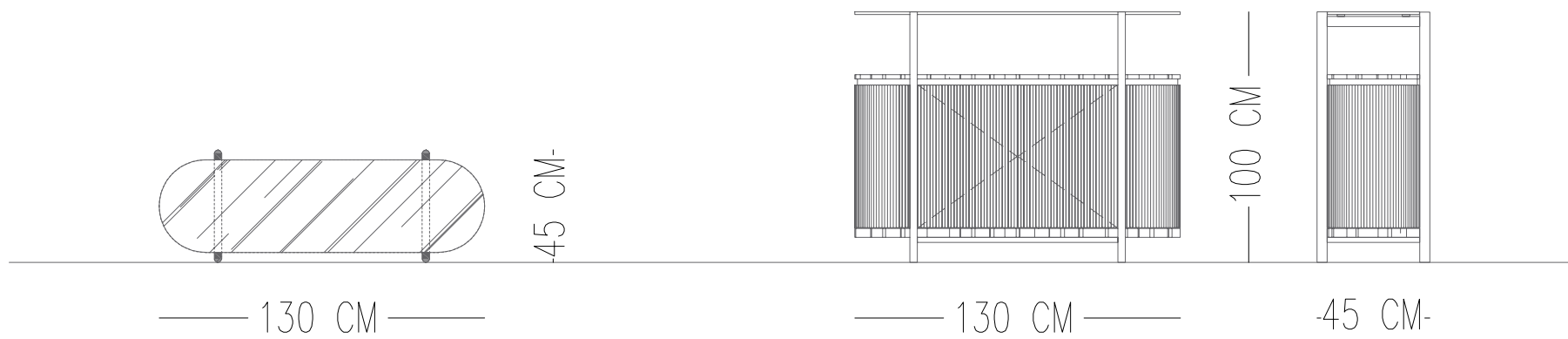
TECHNICAL SPECIFICATIONS

Norde

Designed by
Tugce Kurtbogan

TOP:TEXTURED BRONZE GLASS
BASE, OAK WOOD VENEERING NATURAL
OPENINGS ARE OAK WOOD VENEERING LAQUER PAINT CINNAMON
LEGS: SILVER METAL





Catalog product

Glass
Textured glass



Catalog product

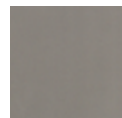
Base
Oak wood veneering
natural



Openings
material
Laquer paint
Cinnamon



Legs
Silver metal



Material Catalogue



Alternative material

All glass,oak wood veneering lacquer painted and metal finishes in Norde Material catalog



MONA CONSOLE TABLE

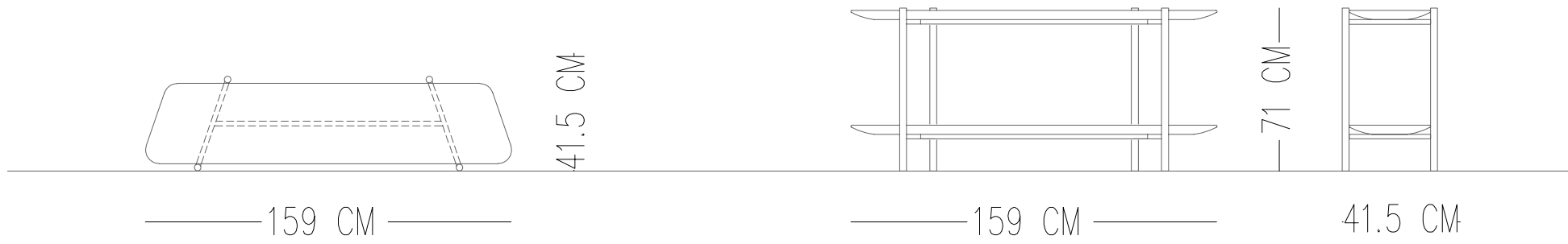
TECHNICAL SPECIFICATIONS

SHELVES: OAK WOOD VENEERING WITH NATURAL VARNISH
LEGS: BLACK METAL

Norde

Designed by
Tugce Kurtbogan





Catalog product

Shelves
Oak wood veneering
natural



Alternative material
All wood Veneering and metal in Norde material
Cataloge

Catalog product

Legs
Black metal



Material Catalogue





DOMINO CONSOLE TABLE

Norde

TECHNICAL SPECIFICATIONS

Designed by
Norde Design Studio

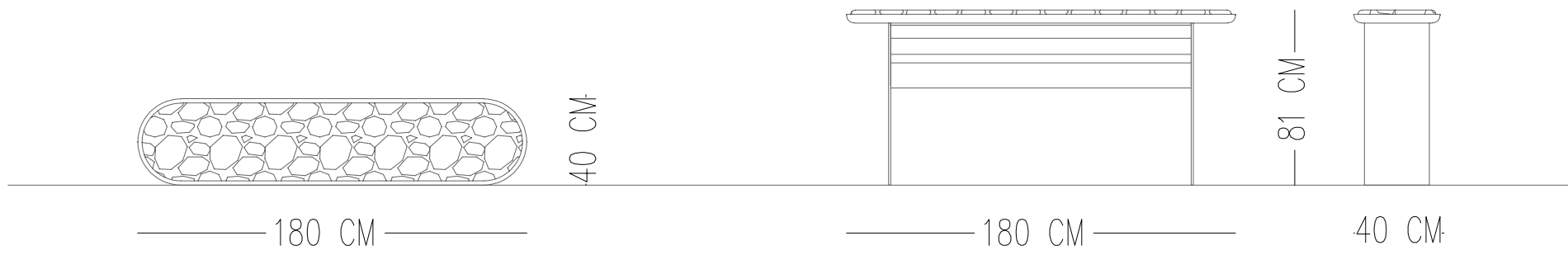
STRUCTURE

TOP: CALACATA MICHELANGELO

BASE: SANDBLASTED OAKWOOD VENEERING WITH BLACK POLISH VARNISH

SIDE- EDGE-METAL





Catalog product
 Top
 Porcelain ceramic
 Calacatta



Sandblasted Oakwood Veneering
 Black Polish Varnish



Metal
 Painted metal black



Material Catalogue



Alternative material
 All marble, oakwood veneering and metal painted in
 Norde material Catalog



ASTRA CONSOLE TABLE

TECHNICAL SPECIFICATIONS

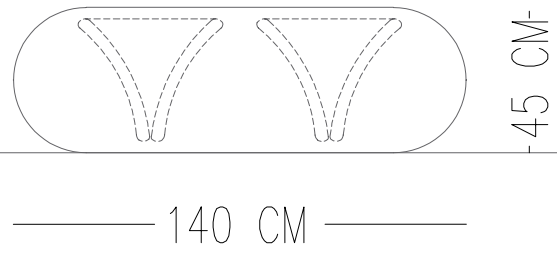
Norde

Designed by
Norde Design Studio

INTERIOR STRUCTURE

TOP IS NATURE STONE
LEGS ARE NATURAL WOOD



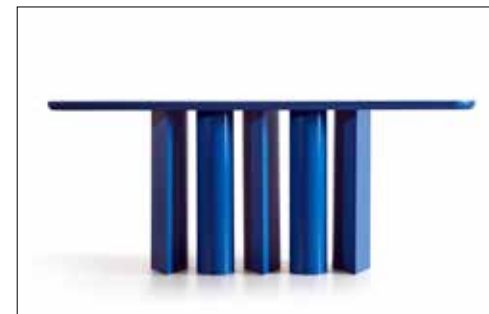


Catalog product
Natural stone

Leg
Natural wood



Alternative material
Legs are natural wood painted black



AUDREY CONSOLE TABLE

TECHNICAL SPECIFICATIONS

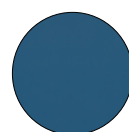
Norde

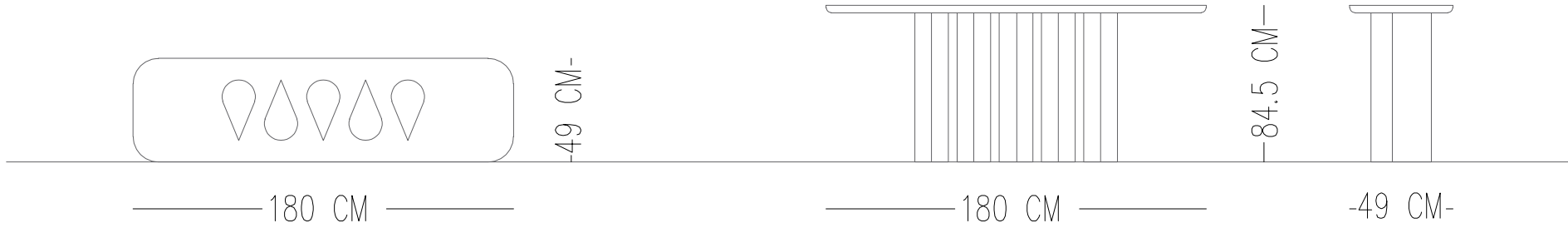
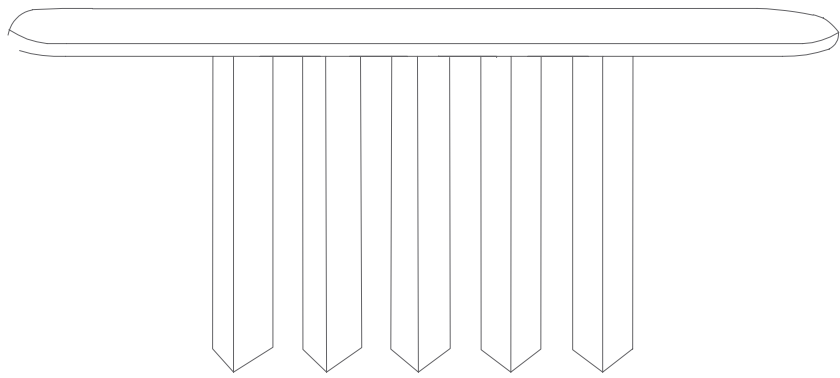
Designed by
Norde Design Studio

TOP

LAQUER PAINT ON WOOD (VIOLET BLUE)

MATERIAL VARIATION: ALL LAQUER FINISHES IN NORDE MATERIAL CATALOGUE





Catalog product

Top
Lacquer Painted on wood (matt) violet blue



Alternative material
All wood Lacquer Paint in Norde Material Catalog
All ral color
All porcelain ceramic in Norde Material catalog

Catalog product

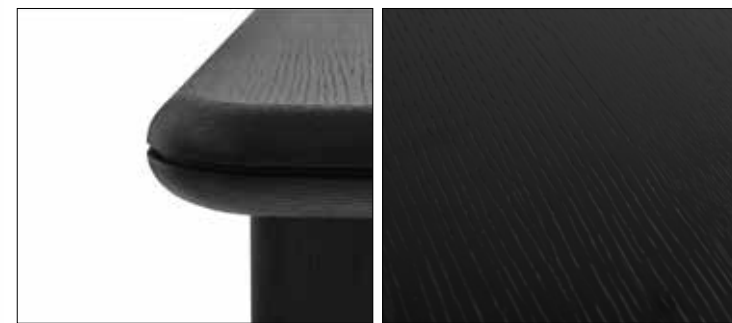
Legs
Painted metal (matt) violet blue



Alternative material
All painted metal colors in Norde Material Catalog
All ral color

Material Catalogue





PIETRA CONSOLE TABLE

TECHNICAL SPECIFICATIONS

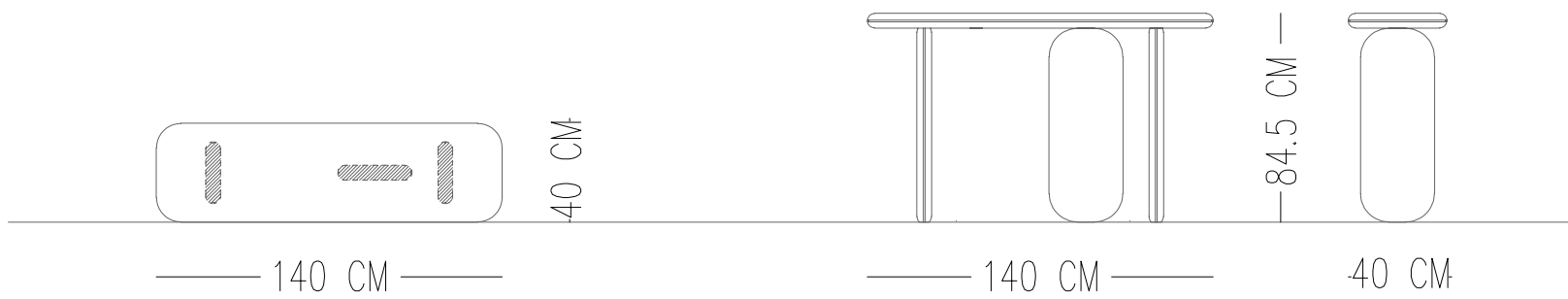
Norde

Designed by
Norde Design Studio

TABLE TOP FINISH

SANDBLASTED OAK WOOD VENEERING WITH BLACK VARNISH





Catalog product

Top
Sandblasted Oak Wood Veneering with black Varnish



Alternative material
All Oak wood veneering in Norde Material Catalog
**If Natural oak is chosen, the color may be different from the edge wood

Catalog product

Legs
Sandblasted Oak Wood Veneering with black Varnish



Alternative material
All Oak wood veneering in Norde Material Catalog

Material Catalogue





ETERNA BOOKCASE

Norde

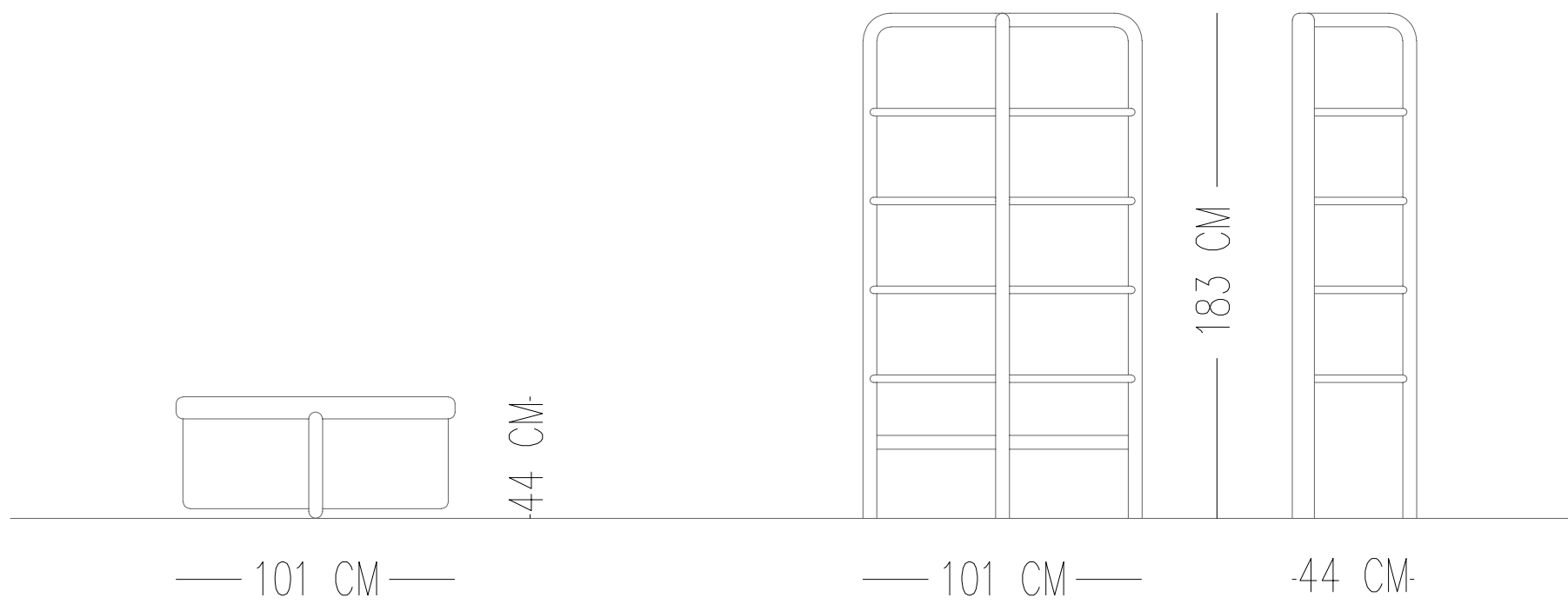
TECHNICAL SPECIFICATIONS

Designed by
Norde Design Studio

- 1 BASE/FABRIC COVERED OAK WOOD
- 2 OAK WOOD LAQUER PAINTED SHELVES WITH METAL INSIDE
- 3 METAL PROFILE

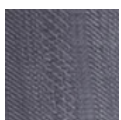
SANDBLASTED OAK WOOD VENEERING WITH VARNISH COLOR
METAL IN SANDBLASTED OAK WOOD





Catalog product

Fabric
N-C54/Linen
08



Catalog product

Wood
Lacquer Painted on Wood



Material Catalogue



Alternative material
All fabric, Lacquer paint and metal in Norde material
catalog



VIBE POUF

Norde

TECHNICAL SPECIFICATIONS

Designed by
Samet Baker

INTERIOR STRUCTURE

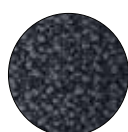
SOLID WOOD and ELASTIC COLUMN

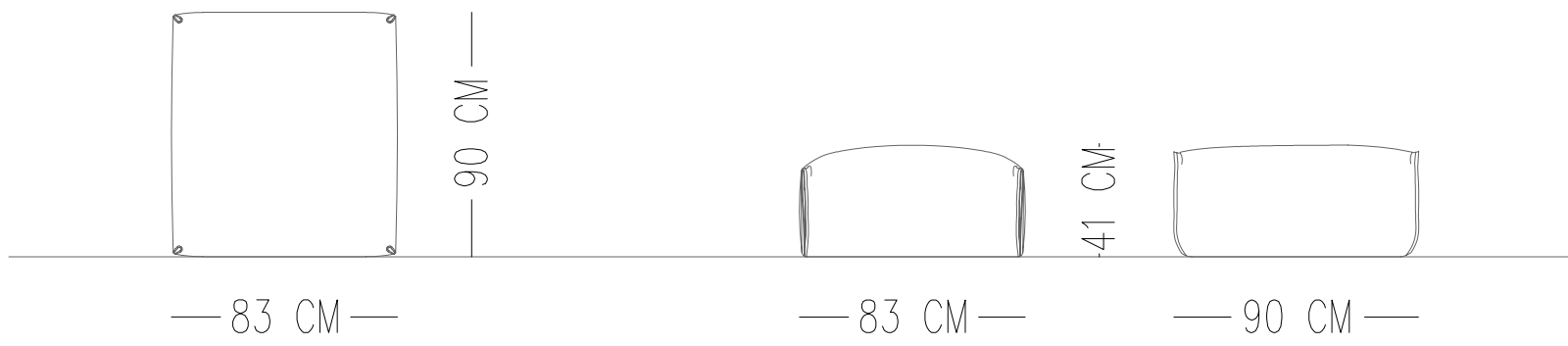
SEAT CUSHION

HIGH RESILIENT FOAM

UPHOLSTERY

TIGHT





Catalog product-fabric

N-B28/Boucle



11

Alternative fabric
Linen, Boucle and Linen teddy

Catalog product-Legs

Hidden Leg

Fabric Matrix



Material Catalogue





TRIO POUF

Norde

TECHNICAL SPECIFICATIONS

Designed by
Samet Baker

INTERIOR STRUCTURE

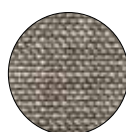
SOLID WOOD and ELASTIC COLUMN

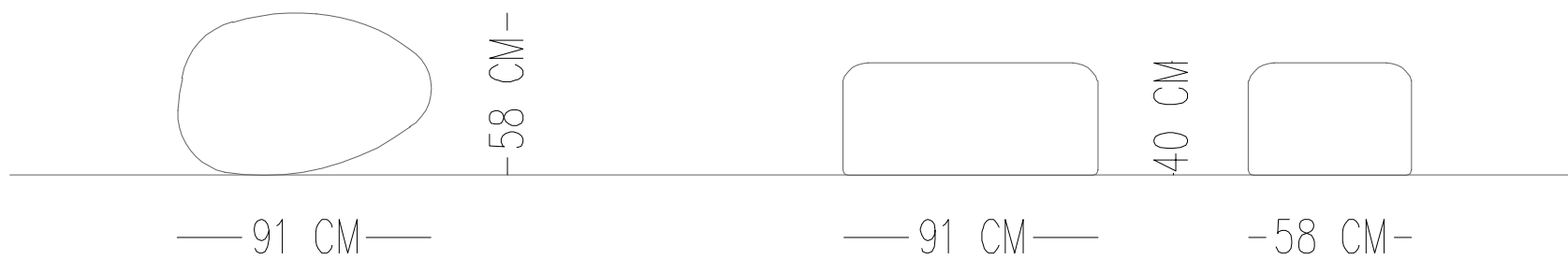
SEAT CUSHION

HIGH RESILIENT FOAM

UPHOLSTERY

TIGHT





Catalog product-fabric

NB -33



11

Alternative fabric
Linen, Boucle and Linen teddy

Catalog product-Legs

Hidden Leg

Fabric Matrix



Material Catalogue





DOMINO POUF

Norde

TECHNICALS PECIFICATIONS

Designed by
Norde Design Studio

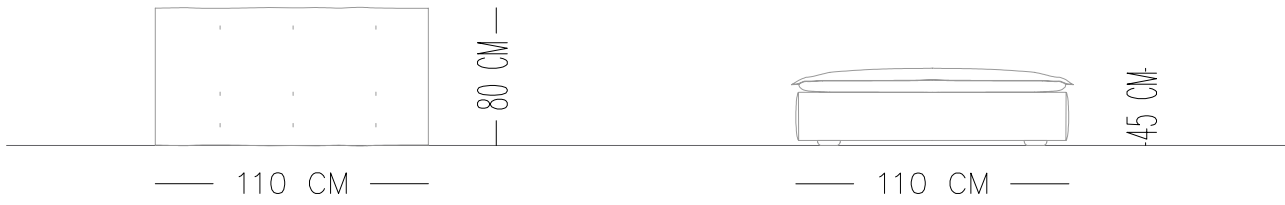
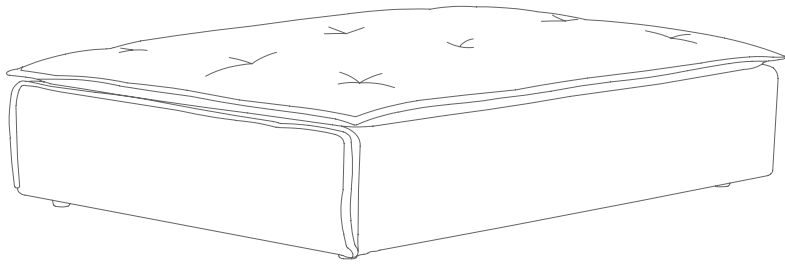
INTERIOR STRUCTURE SOLID WOOD, STEEL AND MDF WITH ZIGZAG BOW

SEAT CUSHION HIGH RESILIENT FOAM & DOWNTOP

BACK BACK CUSHION 100% DOWN/FEATHERS

UPHOLSTERY TIGHT





Catalog product-fabric

N-A10/Linen



43851

Alternative fabric
Linen,Soft velvet and Nubuck

Catalog product-Legs

Hidden Leg

Fabric Matrix



Material Catalogue





NORDEN POUF

Norde

TECHNICAL SPECIFICATIONS

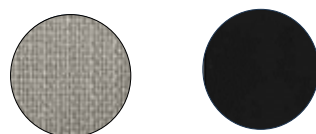
Designed by
Norde Design Studio

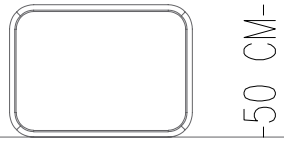
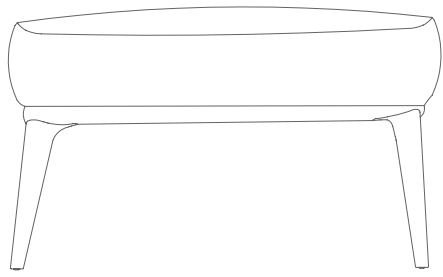
INTERIOR STRUCTURE SOLID WOOD, STEEL AND MDF WITH ZIGZAG BOW

SEAT CUSHION HIGH RESILIENT FOAM & DOWNTOP

BACK BACK CUSHION 100% DOWN/FEATHERS

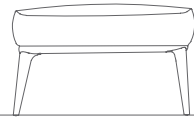
UPHOLSTERY TIGHT





-70 CM-

-50 CM-



-70 CM-

42 CM



-50 CM-

Catalog product-fabric

N-D13/Linen



1002

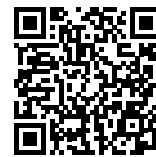
Alternative fabric
Linen, Boucle, Linen teddy, Faux leather, Leather, Suede and Nubuck

Catalog product-Legs

Black Wood



Fabric Matrix



Material Catalogue





NORA POUF

Norde

Designed by
Norde Design Studio

TECHNICALS PECIFICATIONS

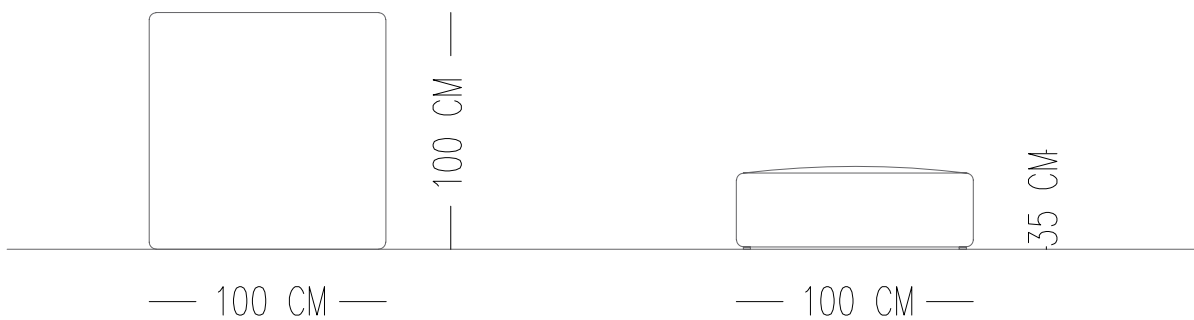
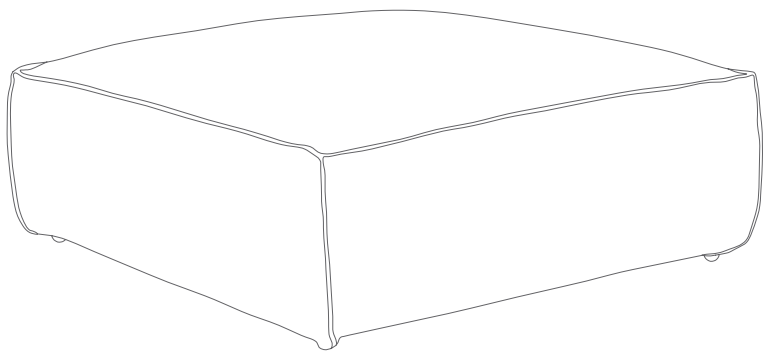
INTERIOR STRUCTURE SOLID WOOD, STEEL AND MDF WITH ZIGZAG BOW

SEAT CUSHION HIGH RESILIENT FOAM & DOWNTOP

BACK BACK CUSHION 100% DOWN/FEATHERS

UPHOLSTERY TIGHT





Catalog product-fabric

NB32



213-01

Alternative fabric
Linen,Boucle,Linen teddy, Chenille,Faux leather
Leather,Suede and Nubuck

Catalog product-Legs

Hidden Leg

Fabric Matrix



Material Catalogue





BEAR POUF

TECHNICAL SPECIFICATIONS

Norde

Designed by
Norde Design Studio

INTERIOR STRUCTURE

SOLID WOOD and ELASTIC COLUMN

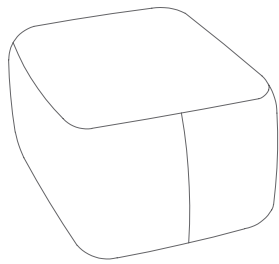
SEAT CUSHION

HIGH RESILIENT FOAM

UPHOLSTERY

TIGHT





Catalog product-fabric

N-A16/Plush linen



44423

Alternative fabric
Curl,Linen and Plush linen

Catalog product-Legs

Hidden Leg

Fabric Matrix



Material Catalogue





MARLON BENCH

TECHNICAL SPECIFICATIONS

Norde

Designed by
Tugce Kurtbogaz

INTERIOR STRUCTURE

SOLID WOOD & PAPEL AND ELASTIC COLUMN

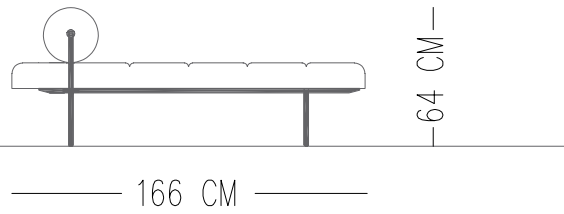
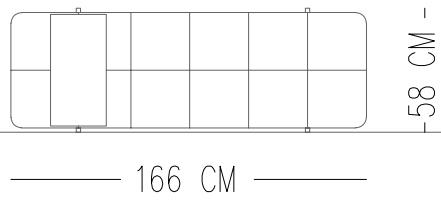
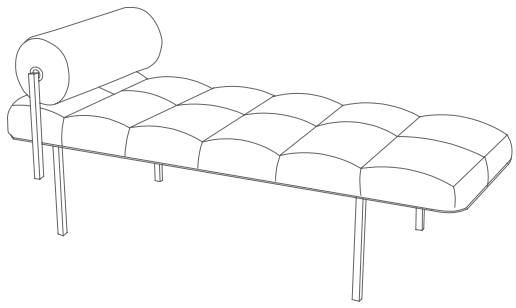
SEAT CUSHION

HIGH RESILIENT FOAM

UPHOLSTERY

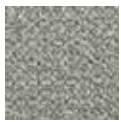
TIGHT





Catalog product-fabric

N-B28/Boucle



03

N-D11/Faux Leather



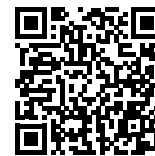
60501

Catalog product-Legs

Black painted metal leg



Fabric Matrix



Material Catalogue





MASTERFUL LUXURY AND COMFORT





YUI BED

TECHNICAL SPECIFICATIONS

Norde

Designed by
Gülsah Soygür

INTERIOR STRUCTURE

FRAME BEECH CONTRA

BACK CUSHION

35 DNS SOFT FOAM AND FIBER

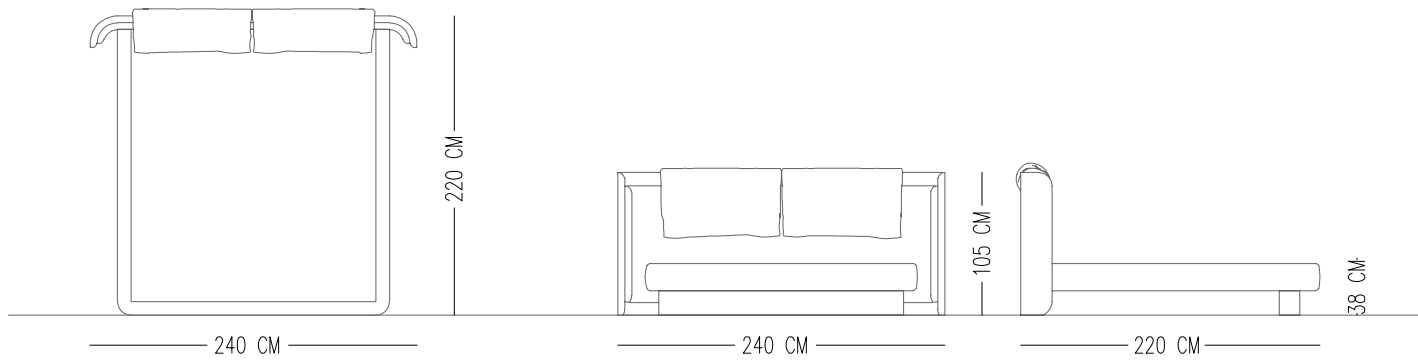
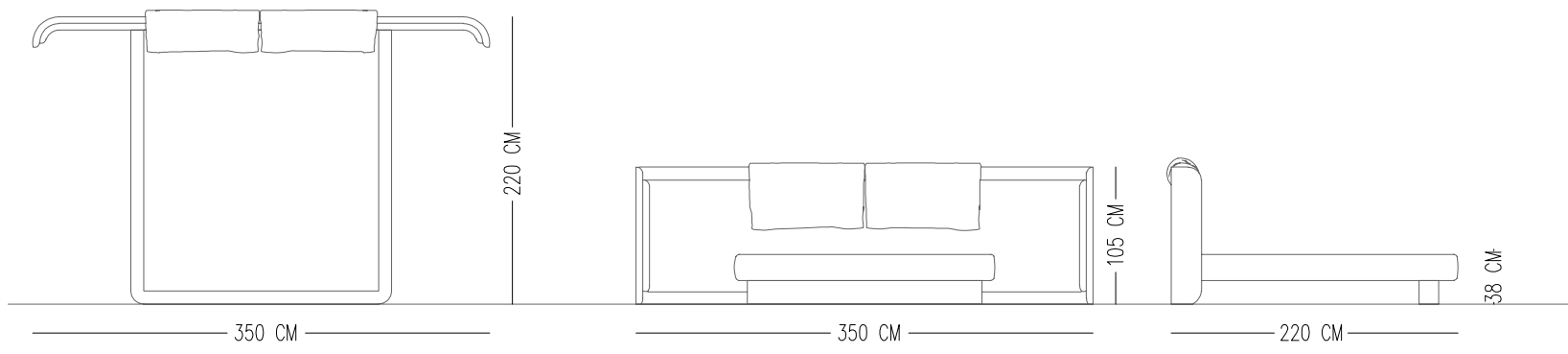
UPHOLSTERY

TIGHT

MAINTENANCE

We recommend shaking and fluffing-up the cushions regularly to maintain the shape. This should be done after removing the cushions from the structure for improved air circulation. For maintenance of fabric and leather, please contact your retailer.





Catalog product

Catalog product-Fabric
N-A42



Pearl

Alternative fabric
Linen,Curl, Faux leather and Plush Linen,



DOMINO BED

Norde

TECHNICAL SPECIFICATIONS

Designed by
Norde Design Studio

INTERIOR STRUCTURE

FRAME BEECH CONTRA

BACK CUSHION

35 DNS SOFT FOAM AND FIBER

UPHOLSTERY

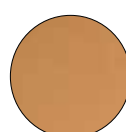
TIGHT

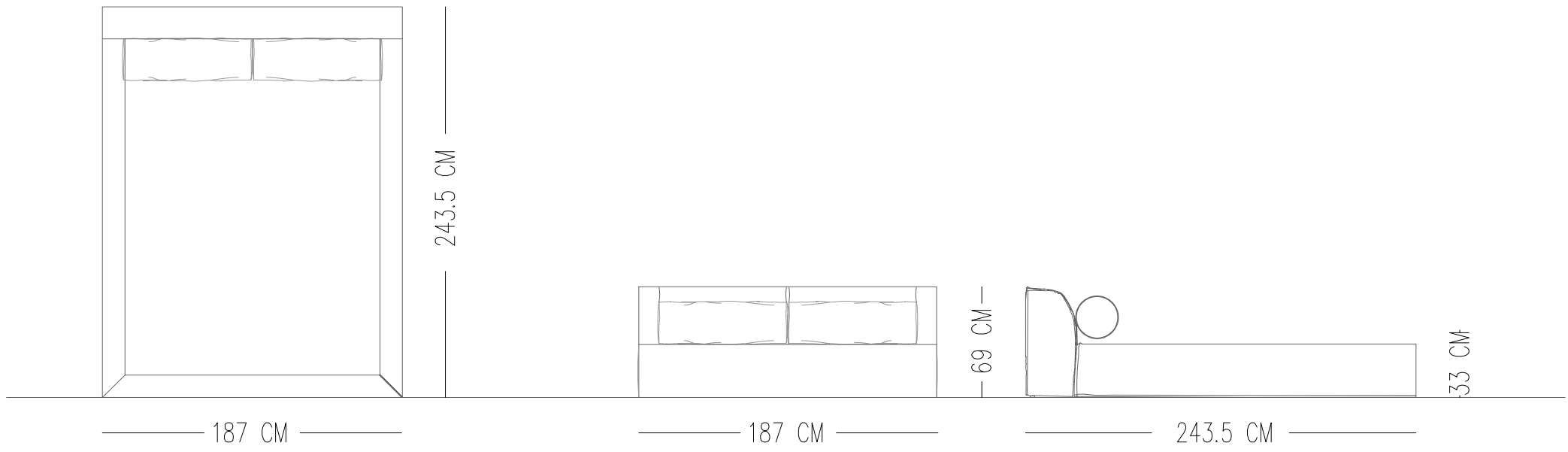
LEGS

BLACK METAL

MAINTENANCE

We recommend shaking and fluffing-up the cushions regularly to maintain the shape. This should be done after removing the cushions from the structure for improved air circulation. For maintenance of fabric and leather, please contact your retailer.





Catalog product

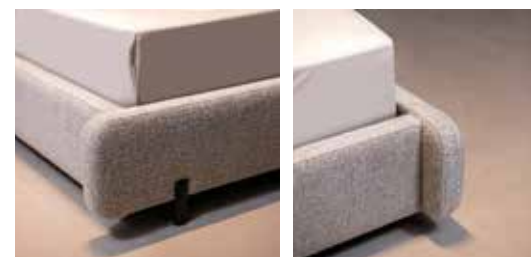
Catalog product-Fabric
N-A15/Nubuck

Catalog product-Legs
Hidden leg



016

Alternative fabric
Linen,Soft velvet and Nubuck



ANGE BED

TECHNICAL SPECIFICATIONS

Norde

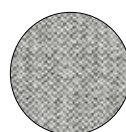
Designed by
Norde Design Studio

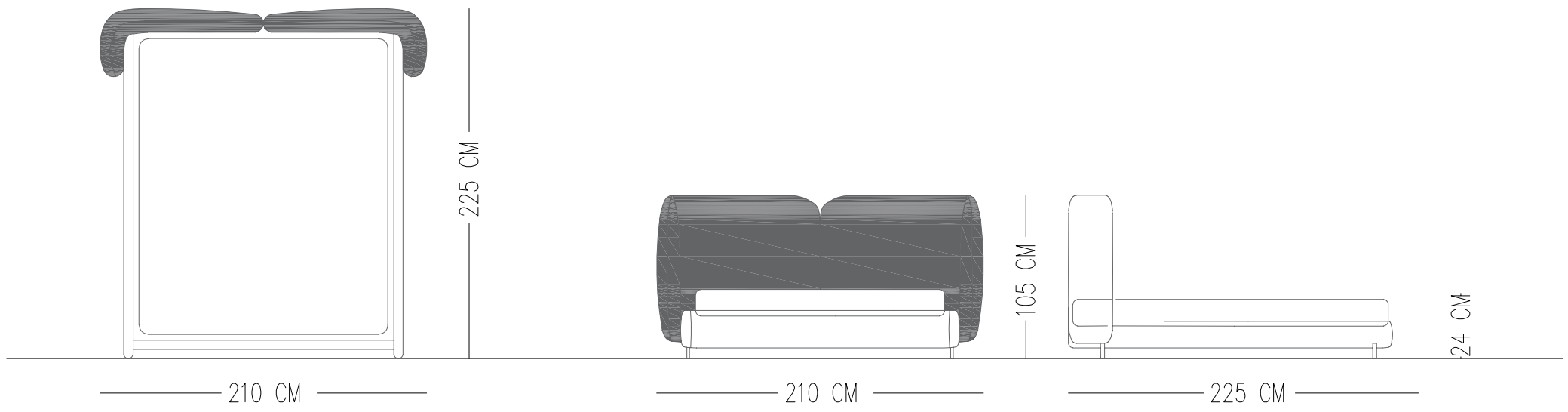
INTERIOR STRUCTURE FRAME BEECH CONTRA

BACK CUSHION 35 DNS SOFT FOAM AND FIBER

UPHOLSTERY TIGHT

MAINTENANCE We recommend shaking and fluffing-up the cushions regularly to maintain the shape. This should be done after removing the cushions from the structure for improved air circulation. For maintenance of fabric and leather, please contact your retailer.





Catalog product

Catalog product-Fabric
N-B12/Boucle
V-12



Black painted metal





NORA BED

TECHNICAL SPECIFICATIONS

Norde

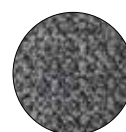
Designed by
Norde Design Studio

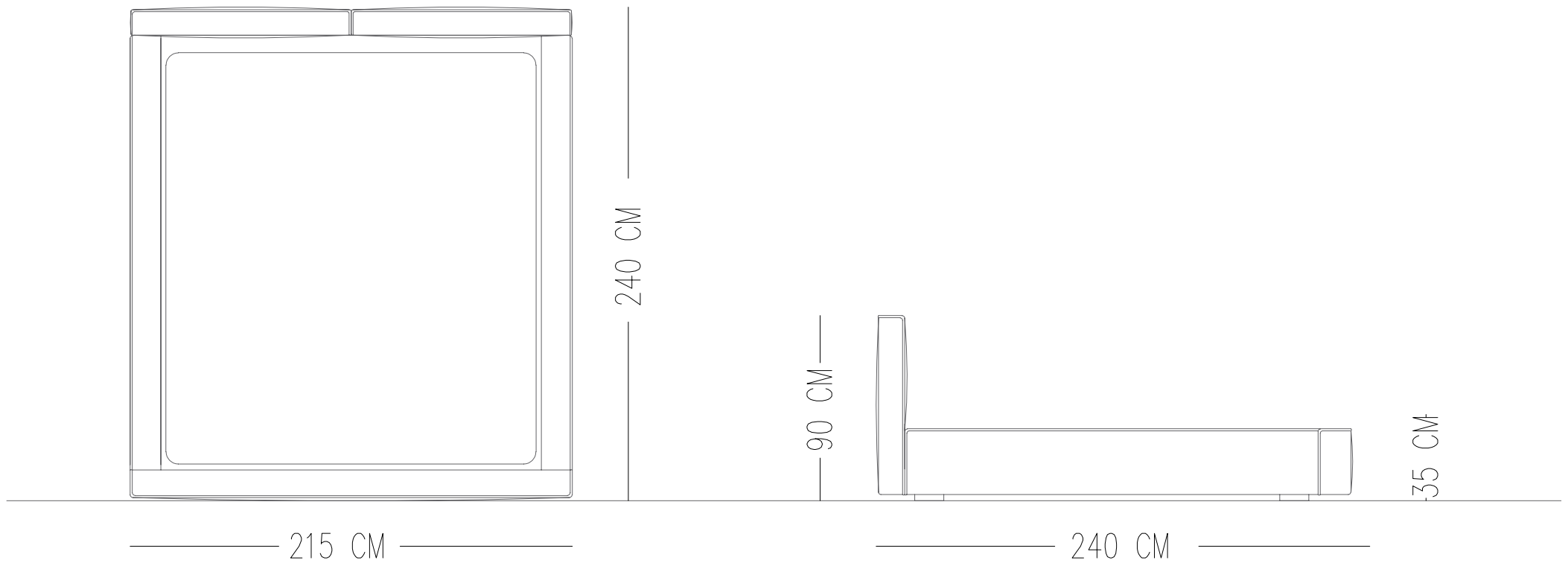
INTERIOR STRUCTURE FRAME BEECH CONTRA

BACK CUSHION 35 DNS SOFT FOAM AND FIBER

UPHOLSTERY TIGHT

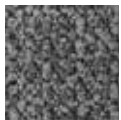
MAINTENANCE We recommend shaking and fluffing-up the cushions regularly to maintain the shape. This should be done after removing the cushions from the structure for improved air circulation. For maintenance of fabric and leather, please contact your retailer.





Catalog product

Catalog product-Fabric
N-B28/Boucle
09



Leg
Hidden metal leg



BULUT BED

Norde

TECHNICAL SPECIFICATIONS

Designed by
Norde Design Studio

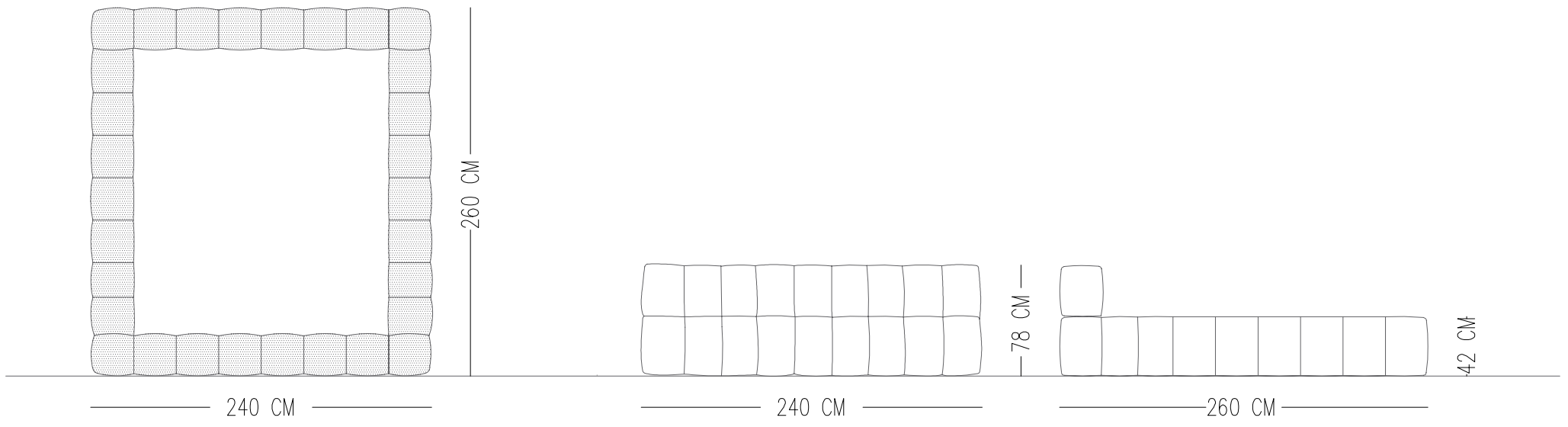
INTERIOR STRUCTURE FRAME BEECH CONTRA

BACK CUSHION 35 DNS SOFT FOAM AND FIBER

UPHOLSTERY TIGHT

MAINTENANCE We recommend shaking and fluffing-up the cushions regularly to maintain the shape. This should be done after removing the cushions from the structure for improved air circulation. For maintenance of fabric and leather, please contact your retailer.





Catalog product

Catalog product-Fabric
N-B31/Chenille
1819

Leg
Hidden metal leg





FER BED

Norde

TECHNICAL SPECIFICATIONS

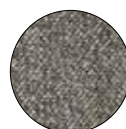
Designed by
Norde Design Studio

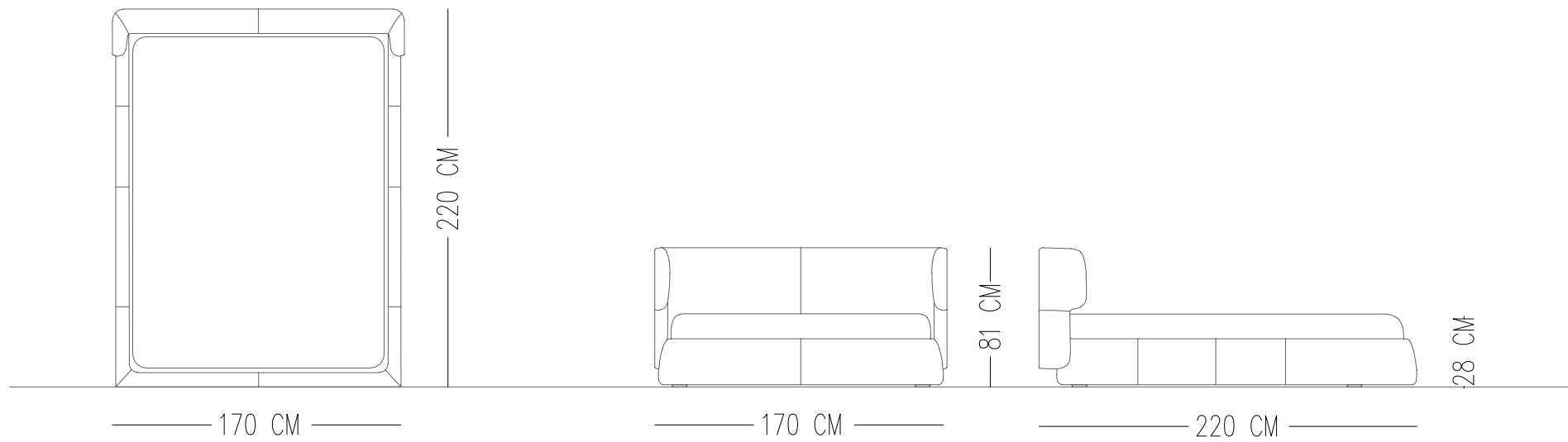
INTERIOR STRUCTURE FRAME BEECH CONTRA

BACK CUSHION 35 DNS SOFT FOAM AND FIBER

UPHOLSTERY TIGHT

MAINTENANCE We recommend shaking and fluffing-up the cushions regularly to maintain the shape. This should be done after removing the cushions from the structure for improved air circulation. For maintenance of fabric and leather, please contact your retailer.





Catalog product

Catalog product-Fabric
N-A10/Linen
40540



Leg
Hidden metal leg



VERA POUF

TECHNICALS PECIFICATIONS

Norde

Designed by
Norde Design Studio

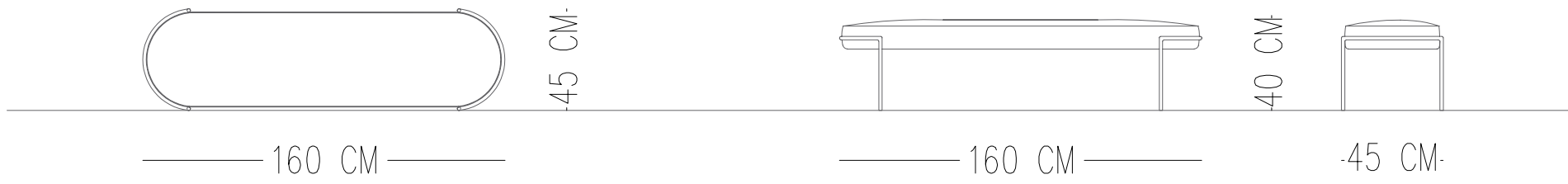
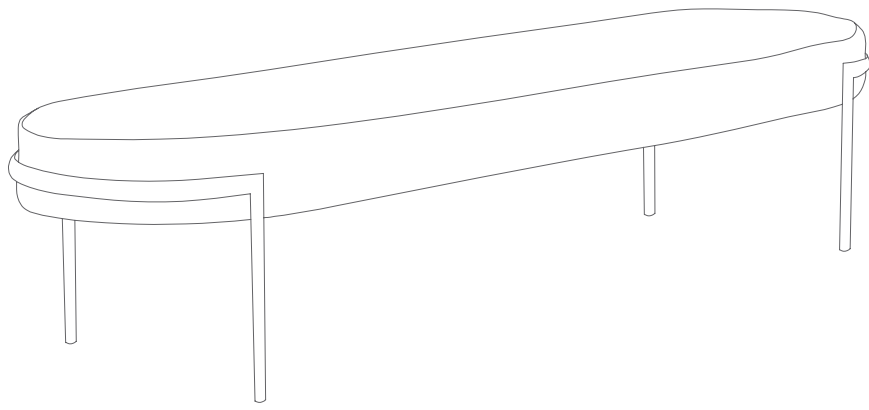
INTERIOR STRUCTURE

PLYWOOD & FIBER

PADDING

35 DNS SOFT FOAM





Catalog product-fabric

Linen-NA15



086

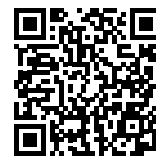
Alternative fabric
Linen,Boucle,Linen teddy, Faux leather Leather,Suede and Nubuck

Catalog product-Legs

Painted Metal Leg



Fabric Matrix



Material Catalogue





VERDE POUF

TECHNICALS PECIFICATIONS

Norde

Designed by
Norde Design Studio

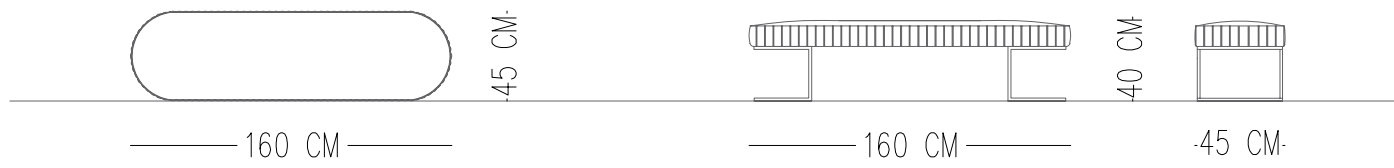
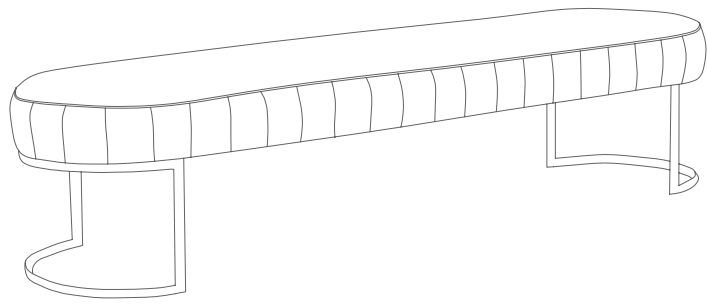
INTERIOR STRUCTURE

PLYWOOD & FIBER

PADDING

35 DNS SOFT FOAM





Catalog product-fabric

Linen-NA15



086

Alternative fabric
Linen,Boucle,Linen teddy, Faux leather Leather,Suede and Nubuck

Catalog product-Legs

Painted Metal Leg



Fabric Matrix



Material Catalogue





YUI NIGHT STAND-1

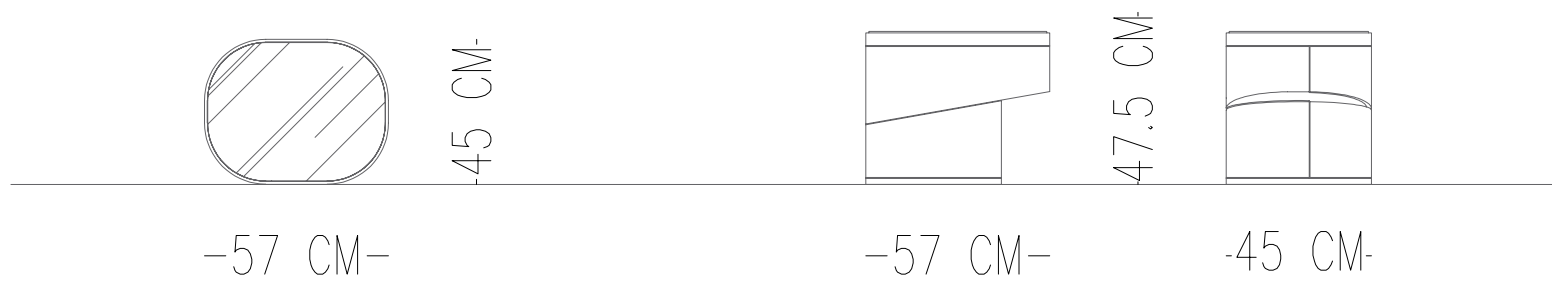
Norde

TECHNICAL SPECIFICATIONS

Designed by
Gölsah Soyluer

- 1 PRESS OPEN DRAWER/ LAQUER PAINTED WOOD- SILK MAT-COLOR
- 2 PORCELAIN CERAMIC INSIDE TABLE-5 MM
- 3 TOP OF TABLE-GLASS-8 MM





Catalog product

Catalog product
Structure&drawer
Lacquer Painted On Wood
Soft touch



Catalog product
Top of table

Bronze Glass



Catalog product
Inside table

Calacatta Michelangelo Polish



Alternative material: All Laquer painted wood and glass and porcelain ceramic in Norde material catalogue



YUI NIGHT STAND-2

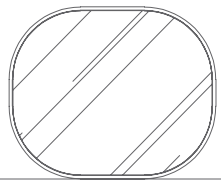
Norde

TECHNICAL SPECIFICATIONS

Designed by
Gülsah Soyluer

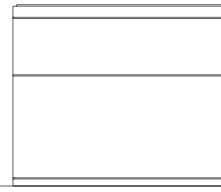
- 1 PRESS OPEN DRAWER/ LAQUER PAINTED WOOD- SILK MAT-COLOR
- 2 PORCELAIN CERAMIC INSIDE TABLE-5 MM
- 3 TOP OF TABLE-GLASS-8 MM





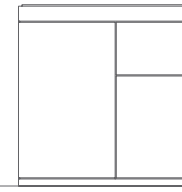
-55 CM-

-45 CM-



-55 CM-

47.5 CM

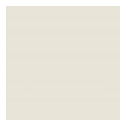


-45 CM-

Catalog product

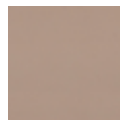
Catalog product
Structure&drawer

Lacquer Painted On Wood
Soft touch



Catalog product
Top of table

Bronze Glass



Catalog product
Inside table

Calacatta Michelangelo Polish



Alternative material: All Laquer painted wood and glass and porcelain ceramic in Norde material catalogue



ROUND NIGHT STAND

Norde

TECHNICAL SPECIFICATIONS

Designed by
Norde Design Studio

BASE AND DRAWER/SMOKED OAKWOOD VENEERING TRANSPARENT MAT SANDBLASTED FINISH

TOP: MARBLE: CALACATTA MICHELANGELO





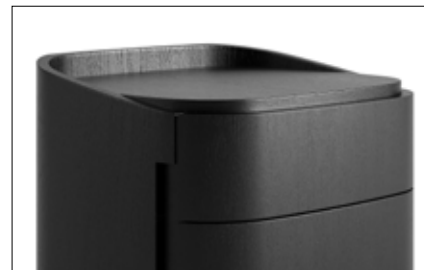
Catalog product

Sandblasted Oakwood Veneering
Black Polish Varnish

Porcelain Ceramic-
Calacatta
Michelangelo-polish



Alternative material: All Wood veneering and marble and porcelain ceramic in Norde material catalogue



LILY NIGHT STAND

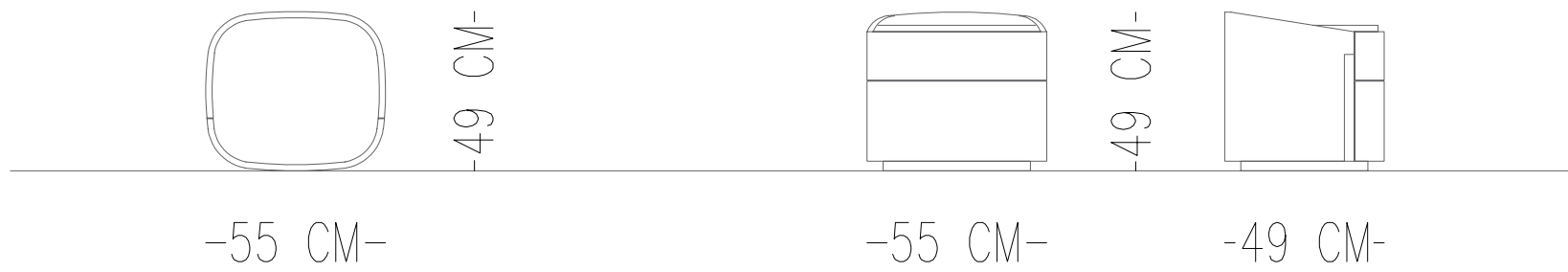
TECHNICAL SPECIFICATIONS

Norde

Designed by
Norde Design Studio

STRUCTURE SANDBLASTED OAK WOOD VENEERING WITH BLACK VARNISHTWO DRAWER





Catalog product

Sandblasted Oakwood Veneering
Poliform Black Varnish



Alternative material: All Wood veneering and marble and porcelain
ceramic in Norde material catalog



YUI CHEST OF DRAWERS

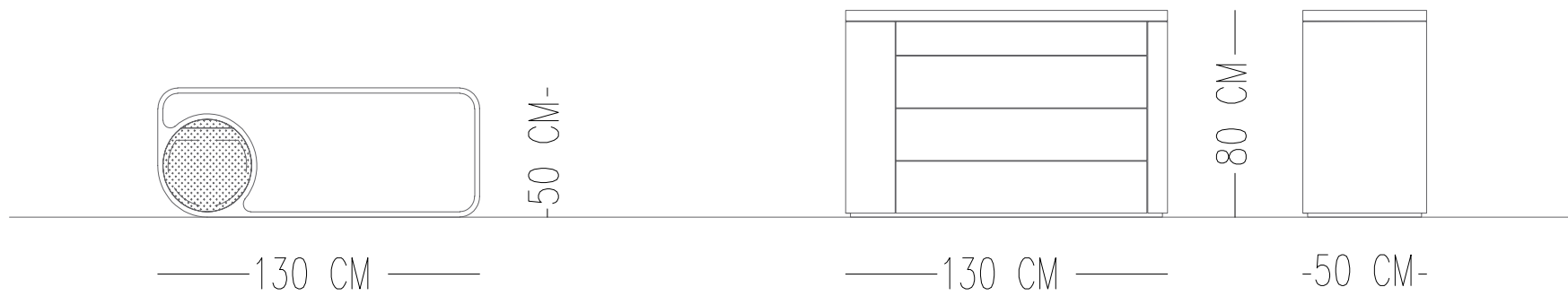
Norde

TECHNICAL SPECIFICATIONS

Designed by
Gülsah Soygluer

- 1 OPENING CABINET / LAQUER PAINTED WOOD- SILK MAT-COLOR
- 2 LEATHER COVER BACK MIRROR
- 3 LAQUER PAINTED WOOD-SILK MAT COLOR-PUSH OPEN COVER





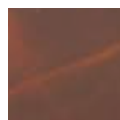
Catalog product

Catalog product

Lacquer Painted On Wood
Soft touch



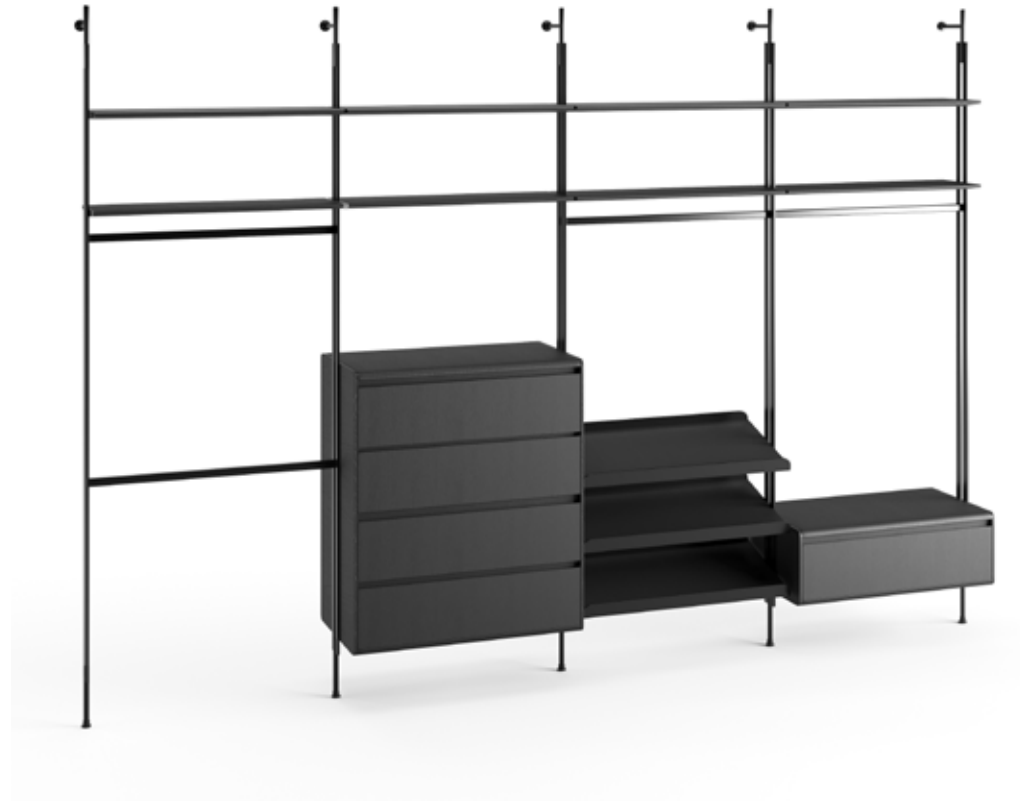
Leather Cinnamon



Clear Mirror



Alternative material: All Laquer painted wood and leather fabric in
Norde material cataloge



MARLON WALK-IN WARDROBE

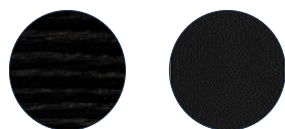
TECHNICAL SPECIFICATIONS

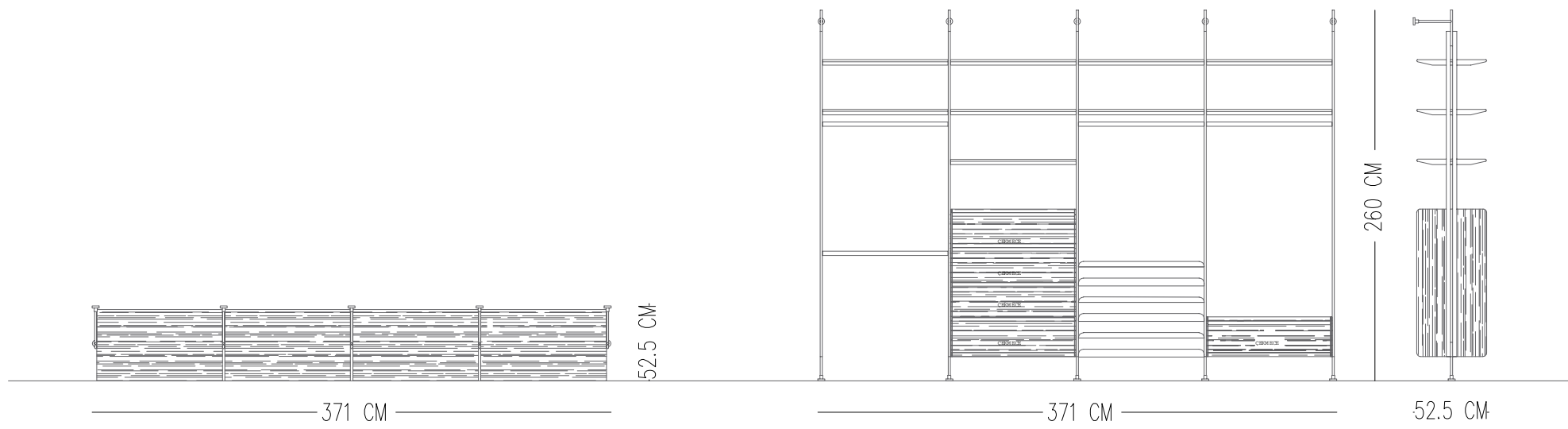
Norde

Designed by
Tugce Kurtbogan

STRUCTURE PROFILE MAT SILVER METALLIC FINISH

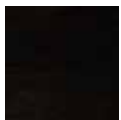
SHELVES AND DRAWERS OAK WOOD VENEERING WITH NATURAL VARNISH -SANDBLASTED FINISH





Catalog product

Structure
Shelves/Drawers



Oak wood Veneering
Black Varnish-sandblasted finish

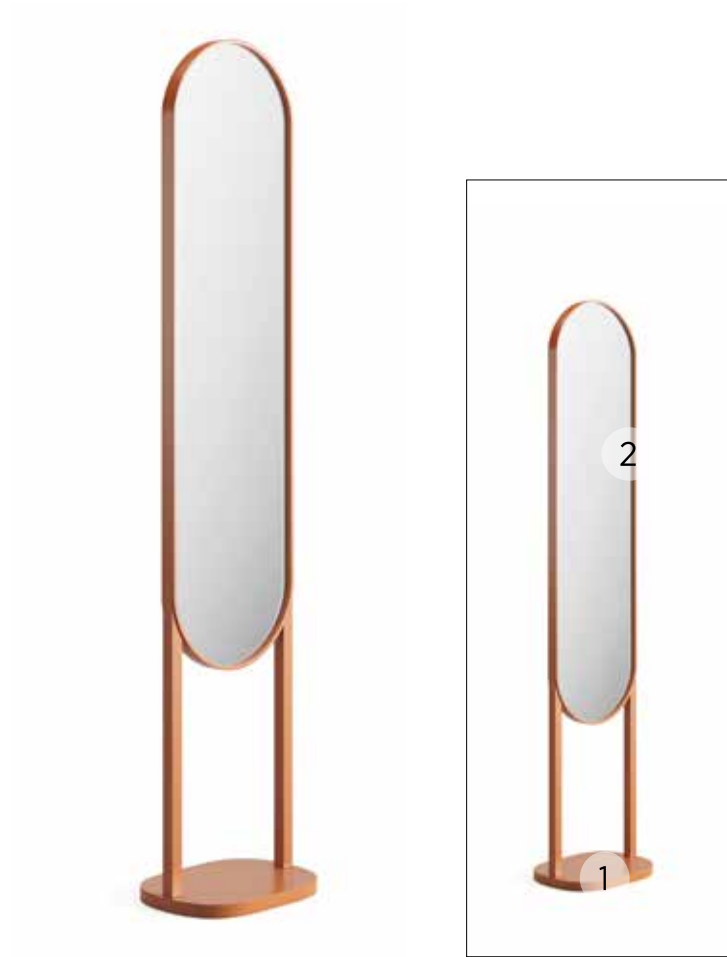
Legs
Black metal finish



Material Catalogue



Alternative material: All metal finishes and oak wood veneering
in Norde material catalog



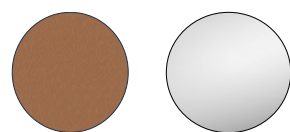
YUI FREESTANDING MIRROR

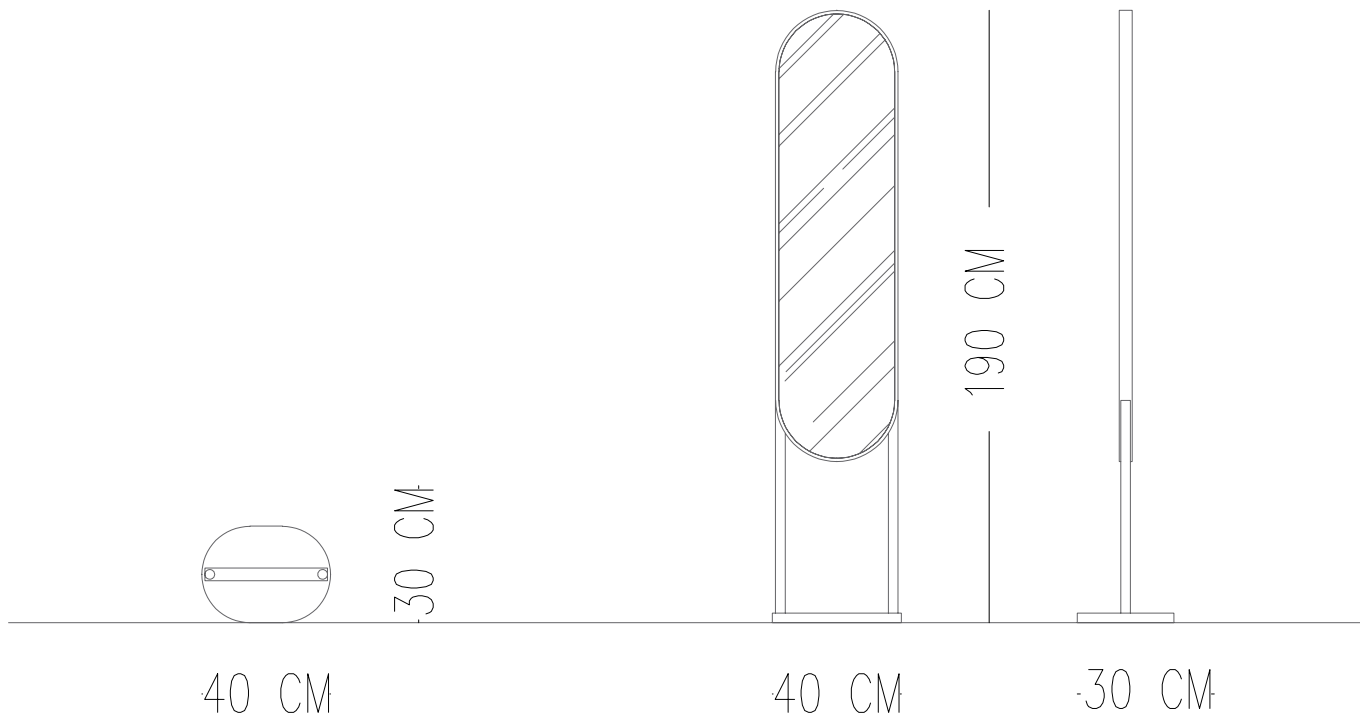
TECHNICAL SPECIFICATIONS

- 1 METAL CONSTRUCTION
- 2 MIRROR

Norde

Designed by
Gülsah Soylover





Catalog product

Metal Mirror Unit
Metal-Cinnamon



Clear Mirror



Material Catalogue



Alternative material: All metal and mirror in Norde material catalog



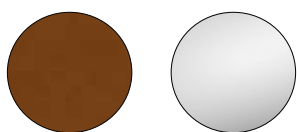
BEAN MIRROR

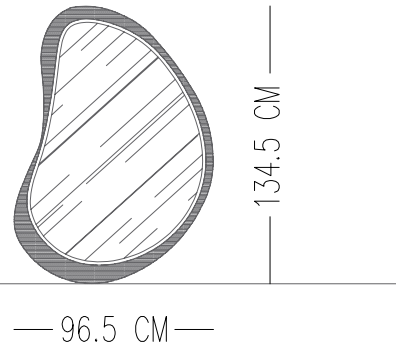
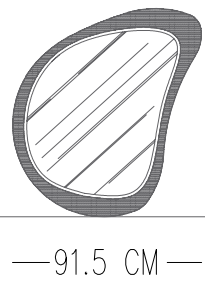
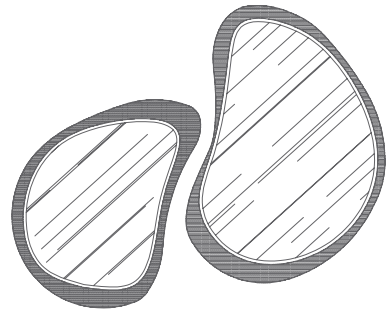
TECHNICAL SPECIFICATIONS

Norde

Designed by
Tugce Kurtbogan

FABRIC COVERED FRAME
CLEAR MIRROR





Catalog product

Catalog product-fabric
N-B45/Nubuck



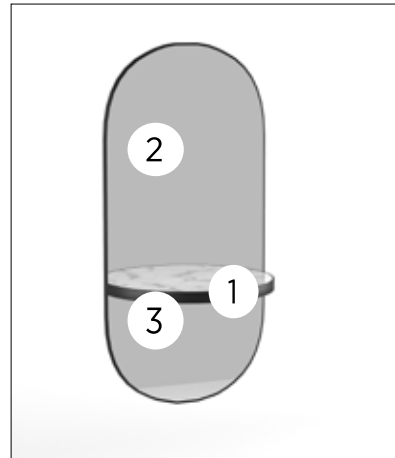
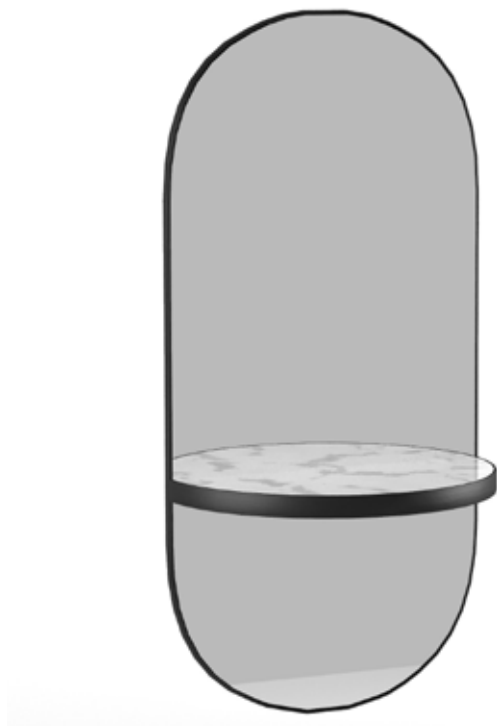
Clear Mirror



Alternative material
All fabric and mirror in Norde material catalog

Material Catalogue





- 1 PORCELAIN CERAMIC SHELF
- 2 CLEAR MIRROR
- 3 PAINTED METAL BLACK

OVUS MIRROR

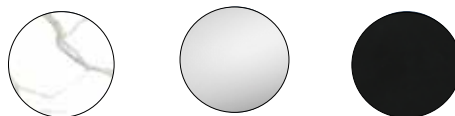
TECHNICAL SPECIFICATIONS

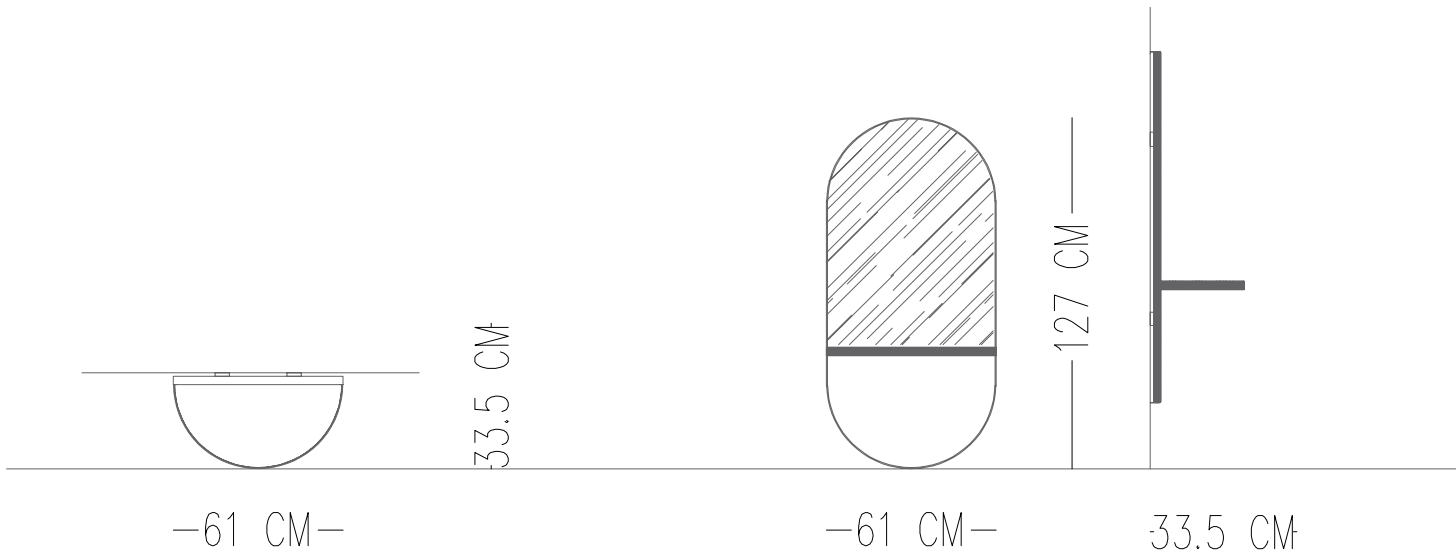
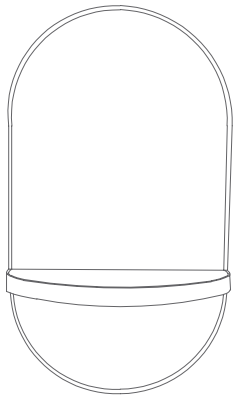
Norde

Designed by
Norde Design Studio

FRAME STRUCTURE

ELECTROSTATIC PAINT ON METAL
CLEAR MIRROR
MARBLE SHELF



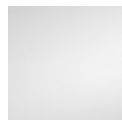


Catalog product

Frame Structure
Painted metal black



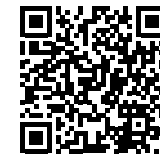
Clear Mirror



Porcelain ceramic-calacatta



Material Catalogue



Alternative material
All metal finishes in Norde Material Catalog
All porcelain ceramics in Norde Material Catalog
All mirror in norde material catalog



SHERLOCK SEPARATOR

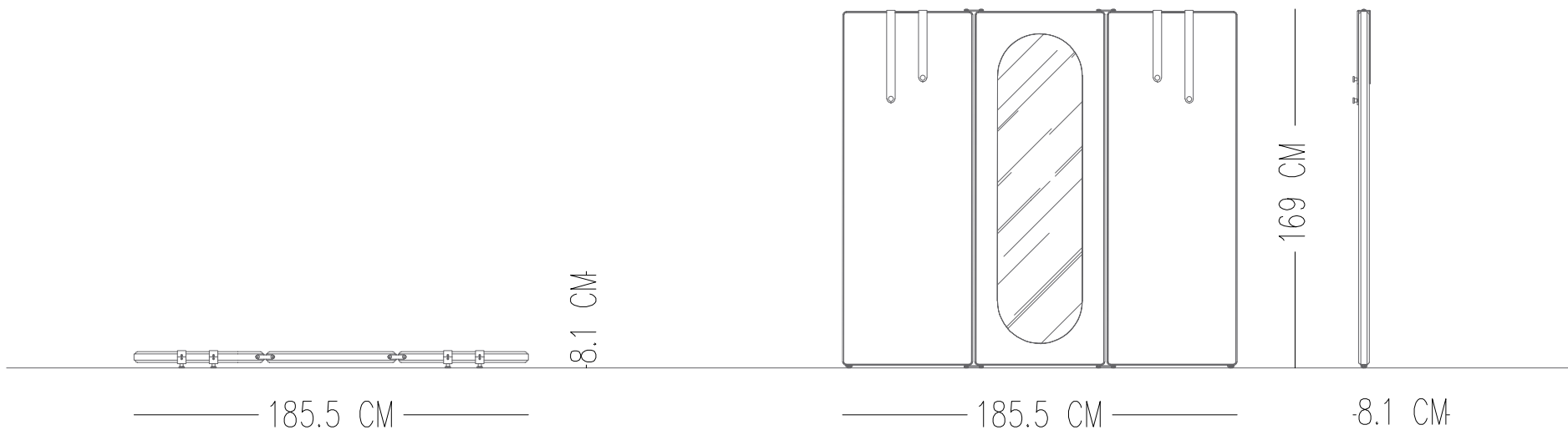
TECHNICAL SPECIFICATIONS

Norde

Designed by
Tugce Kurtbogaz

- 1 METAL CONSTRUCTION AND FABRIC COVERED WOOD
- 2 MIRROR
- 3 METAL HANGER





Catalog product

N-B45/Nubuck



103 Beige

Clear Mirror



Painted Metal



Material Catalogue



Alternative material
All fabric and mirror in Norde material catalog



OLIVER SEPERATOR

TECHNICAL SPECIFICATIONS

Norde

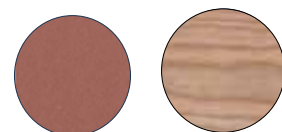
Designed by
Tugce Kurtbogan

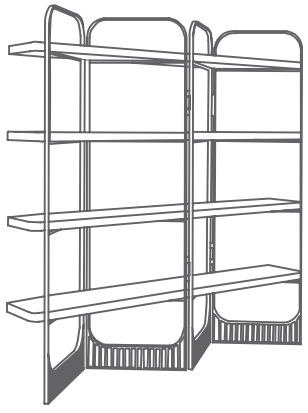
FRAME STRUCTURE

ELECTROSTATIC PAINT ON METAL

SHELVES

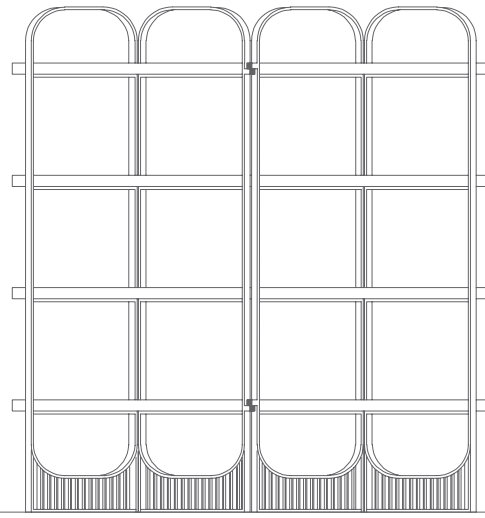
NATURAL OAK VENEERING (MATT POLISHED)



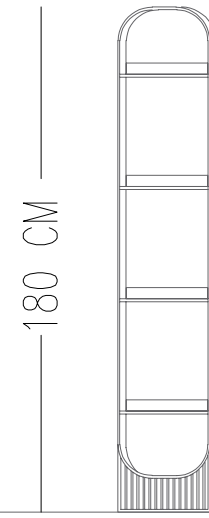


170 CM

36.5 CM



170 CM



180 CM

36.5 CM

Catalog product

Frame Structure
Painted metal 07 copper metal finish



Shelves
Oak Wood Veneering
with natural varnish

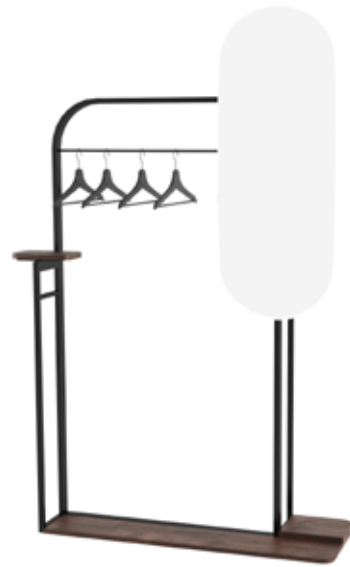


Material Catalogue



Alternative material
All metal finishes and painted metal
colors in Norde material catalog

Alternative material
All Oak wood veneering in Norde
Material Catalog



SEBASTIAN HANGER

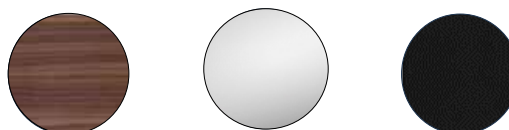
TECHNICAL SPECIFICATIONS

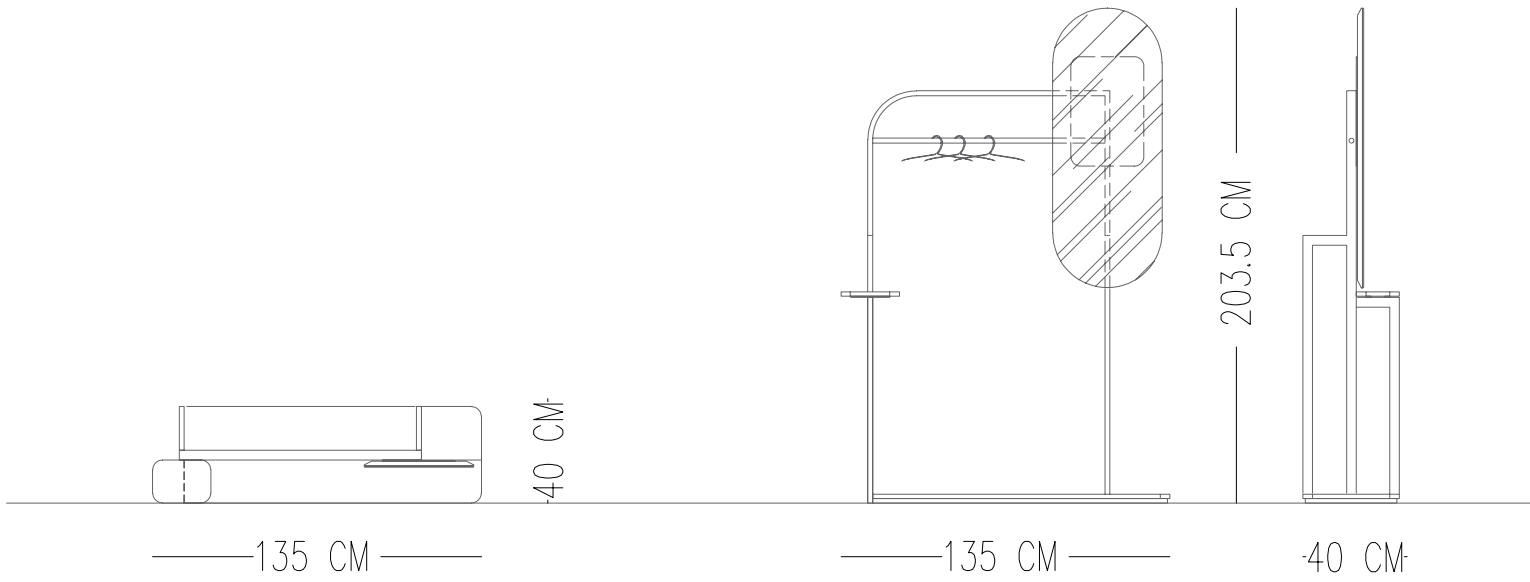
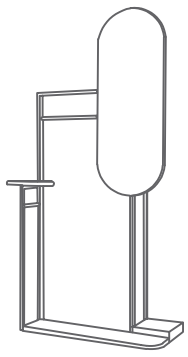
Norde

Designed by
Norde Design Studio

FRAME STRUCTURE

ELECTROSTATIC PAINT ON METAL
WALNUT VENEERING WOODEN BASE





Catalog product

Material Catalogue

Frame Structure
Painted metal black

Clear Mirror

Walnut wood



Alternative material
All metal finishes in Norde Material Catalog
All oak wood veneering Norde Material Catalog
All mirror in Norde Material Catalog

CONTRACT

Norde

CONTRACT

People naturally gravitate towards the combination of the familiar and the new. Our mission is to create designs that cultivate an inviting and inherently appealing atmosphere. We aim to spark your reflection on your surroundings and the emotions they evoke with our perspectives on contemporary designs.

In this contract catalog, Norde engages in a continuous exploration of color, materiality, and texture, offering an enticing palette. This distinctive selection not only encourages exploration, play, and the crafting of expressive spaces but also underscores our dedication to providing sturdy and timeless furniture for contract projects.

Whether intended for hospitality, offices, or residences, our creations are meticulously crafted to endure the test of time, encapsulating enduring elegance in vibrant or subtly refined settings.



Yui
Gülşah Soylyuer



Mona
Tuğçe Kurtboğan



Rio
Norde Design Studio



Tom
Ahmet Kaleli



Audrey
Norde Design Studio



Lora
Norde Design Studio



Vibe
Samet Bakır



Norden
Norde Design Studio



Eva
Norde Design Studio



Nora
Norde Design Studio



Drop
Norde Design Studio



Cherry
Norde Design Studio



Zeta
Norde Design Studio



Bear
Norde Design Studio



Dari
Norde Design Studio



Yui
Gülşah Soyluer



Audrey
Engin Sezgin



Venedik
Norde Design Studio



Jupiter
Norde Design Studio



Domino
Norde Design Studio



Ange
Norde Design Studio



Vibe
Samet Bakır



Bulut
Norde Design Studio



Somet
Samet Bakır



Vientos
Nur Benay Bakır



Itals
Norde Design Studio



Clementine
Norde Design Studio



Leo
Norde Design Studio



Porto
Norde Design Studio



Marlon
Tuğçe Kurtboğan



Bilgin
Norde Design Studio



Yui
Gülşah Soyluer



Yui
Gülşah Soyluer



Yui
Gülşah Soyluer



Audrey
Nur Benay Bakır



Marlon
Norde Design Studio



Bulut
Norde Design Studio



Kiena
Norde Design Studio



Oliver
Nur Benay Bakır



Domino
Tuğçe Kurtboğan



Drank
Norde Design Studio



Drank
Norde Design Studio



Shot
Norde Design Studio



Anatolia
Norde Design Studio



Marlon
Tuğçe Kurtboğan



Kiena
Norde Design Studio



Audrey
Nur Benay Bakır



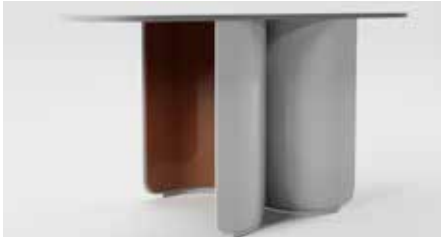
Yui
Gülşah Soyluer



Audrey
Norde Design Studio



Clementine
Norde Design Studio



Yui Console Table
Gülşah Soyluer



Clementine
Tuğçe Kurtboğan



Audrey
Nur Benay Bakır



Domino Console Table
Norde Design Studio



Oliver
Tuğçe Kurtboğan



Clementine
Norde Design Studio



Mona Console Table
Norde Design Studio



Costa
Norde Design Studio



Mojo
Norde Design Studio



Audrey Console Table
Norde Design Studio



Marlon
Norde Design Studio



Marlon
Tuğçe Kurtboğan



Patmos
Norde Design Studio



Audrey
Norde Design Studio



Pietra
Norde Design Studio



Aston
Norde Design Studio



Parc
Norde Design Studio



Clementine
Norde Design Studio



Partner
Norde Design Studio



Audrey
Norde Design Studio



Lotus
Norde Design Studio



Corvus
Norde Design Studio



Mona
Norde Design Studio



Bilgin
Norde Design Studio



Random
Norde Design Studio



Minnie
Norde Design Studio



Yui
Gülşah Soyluer



Yui
Gülşah Soyluer



Yui
Gülşah Soyluer



Yui Nigth Stand 2
Gülşah Soyluer



Round Nigth Stand
Norde Design Studio



Lily Nigth Stand
Norde Design Studio



Yui
Gülşah Soyluer



Nora
Norde Design Studio



Fer
Norde Design Studio



Domino
Norde Design Studio



Bulut
Norde Design Studio



Bilgin Sofa Bed
Norde Design Studio



Vera
Norde Design Studio



Verde
Norde Design Studio



Oliver
Norde Design Studio



Sebastian
Norde Design Studio



Ovus
Norde Design Studio



Nano Armchair
Norde Design Studio



Flat Stool
Norde Design Studio



Pera Bar Stool
Norde Design Studio



Fear Outdoor
Norde Design Studio



Mushroom Stool
Norde Design Studio



Wonder Bar Stool
Norde Design Studio



Fear Outdoor
Norde Design Studio



Ube Stool
Norde Design Studio



Astra Round Table
Norde Design Studio



Drop Outdoor
Norde Design Studio



Ottoman Coffee Table
Norde Design Studio



Astra Coffee Table
Norde Design Studio



Benay Outdoor
Norde Design Studio



Audrey
Norde Design Studio



Oliver
Nur Benay Bakır

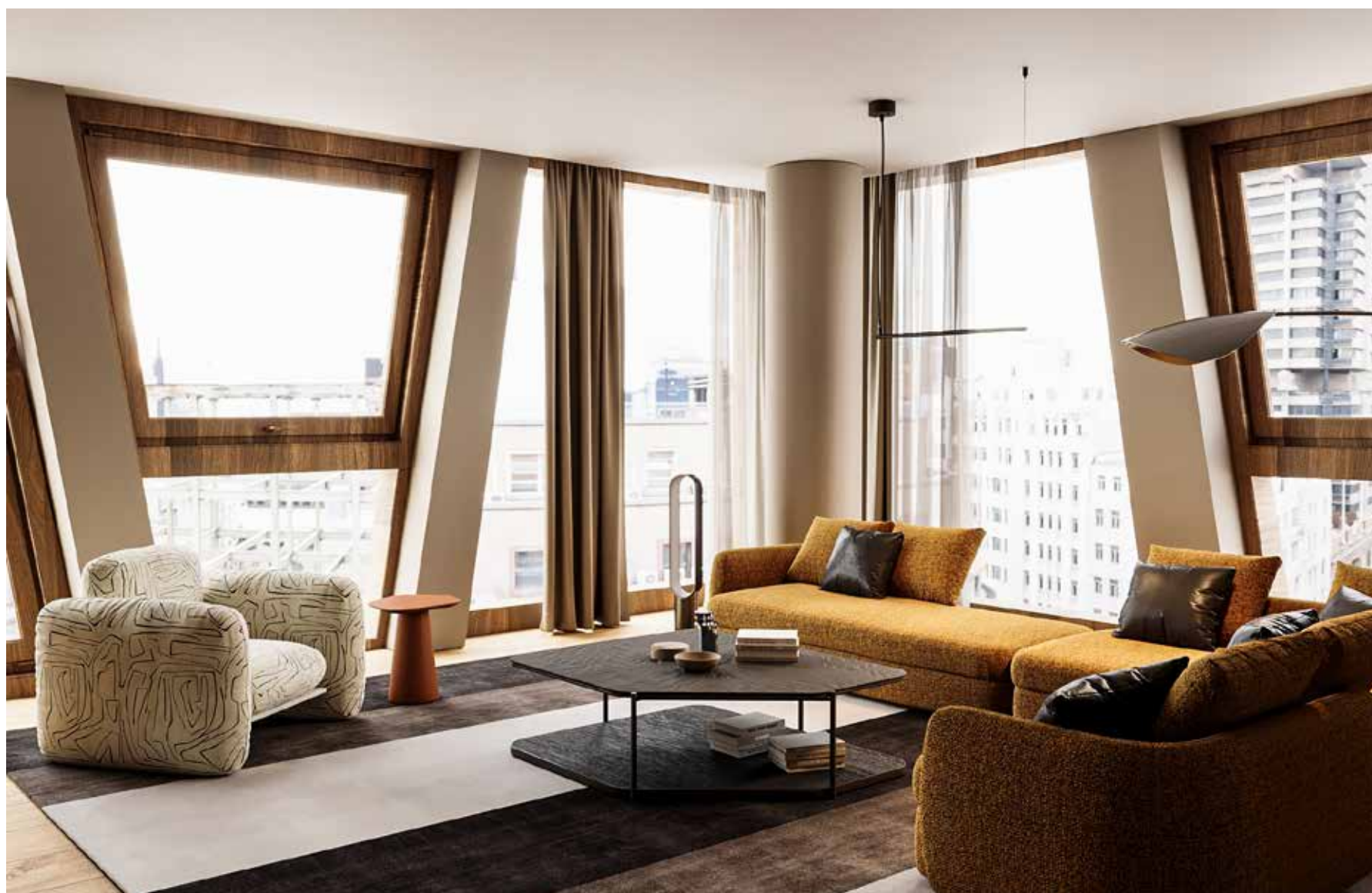


Clementine
Norde Design Studio



Marlon
Tuğçe Kurtboğan





Lora
Norde Design Studio



Ange
Norde Design Studio



Kiena
Norde Design Studio



Somet
Samet Bakır



Drop
Norde Design Studio



Kiena
Norde Design Studio



Mona
Tuğçe Kurtboğan



Marlon
Norde Design Studio



Audrey
Norde Design Studio



Audrey
Nur Benay Bakır



Audrey
Norde Design Studio



Oliver
Tuğçe Kurtboğan



Mona
Norde Design Studio



Oliver
Tuğçe Kurtboğan



Lotus
Norde Design Studio



Oliver
Tuğçe Kurtboğan



Audrey
Norde Design Studio



Marlon
Tuğçe Kurtboğan



Clementine
Tuğçe Kurtboğan



Clementine
Norde Design Studio







Domino
Norde Design Studio



Audrey
Nur Benay Bakır



Mojo
Norde Design Studio



Domino
Norde Design Studio



Oliver
Nur Benay Bakır



Domino
Norde Design Studio



Domino
Tuğçe Kurtboğan



Marlon
Tuğçe Kurtboğan



Marlon
Norde Design Studio



Marlon
Norde Design Studio



Domino
Norde Design Studio



Oliver
Nur Benay Bakır



Dari
Norde Design Studio



Drank
Norde Design Studio



Dari
Norde Design Studio



Marlon
Norde Design Studio



Marlon
Norde Design Studio



Benay
Tuğçe Kurtboğan

OUTDOOR

Norde



ZEN SOFA

TECHNICAL SPECIFICATIONS

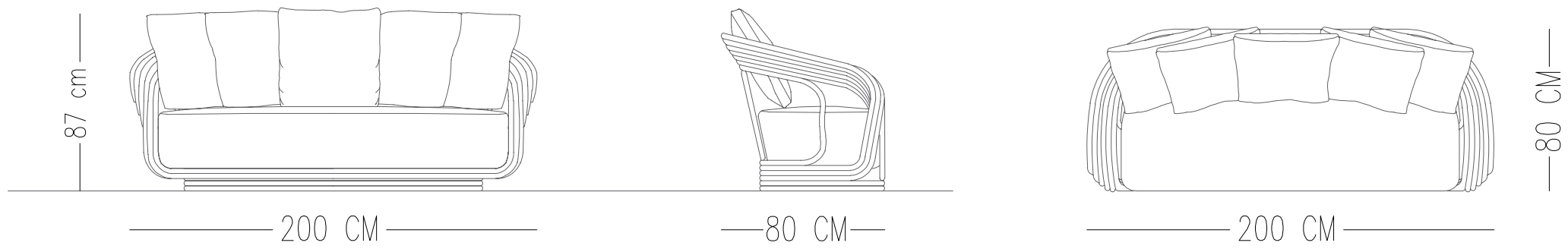
Norde

Designed by
Norde Design Studio

STRUCTURE

NATURAL COLOR BAMBOO





Catalog product



Natural bamboo color



ZEN ARMCHAIR

TECHNICAL SPECIFICATIONS

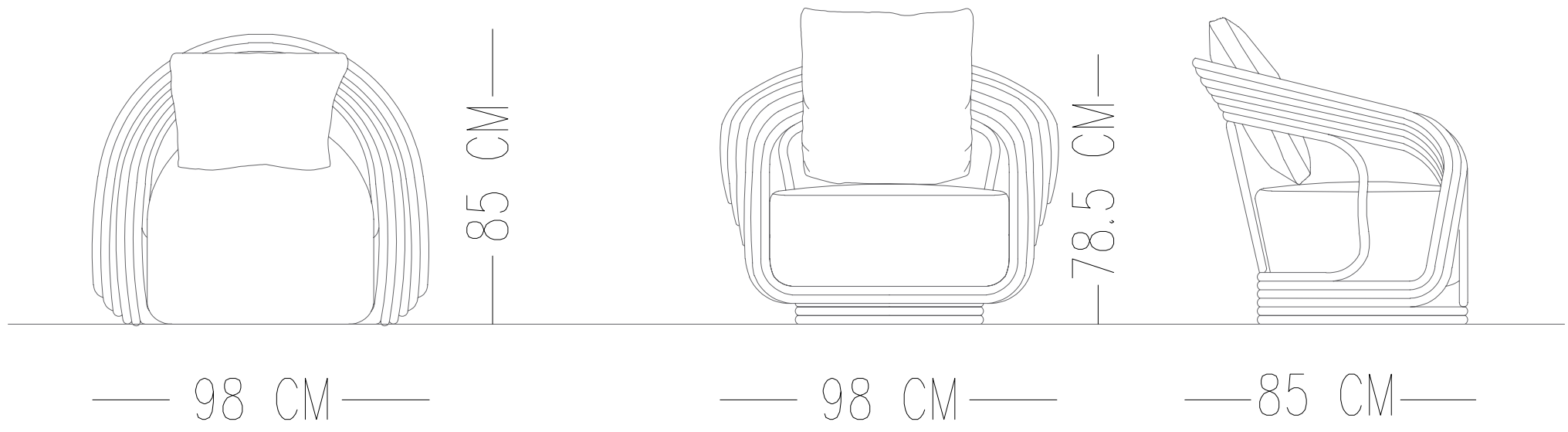
Norde

Designed by
Norde Design Studio

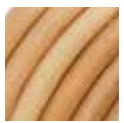
STRUCTURE

NATURAL COLOR BAMBOO





Catalog product



Natural bamboo color



ZEN COFFEE TABLE

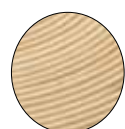
TECHNICAL SPECIFICATIONS

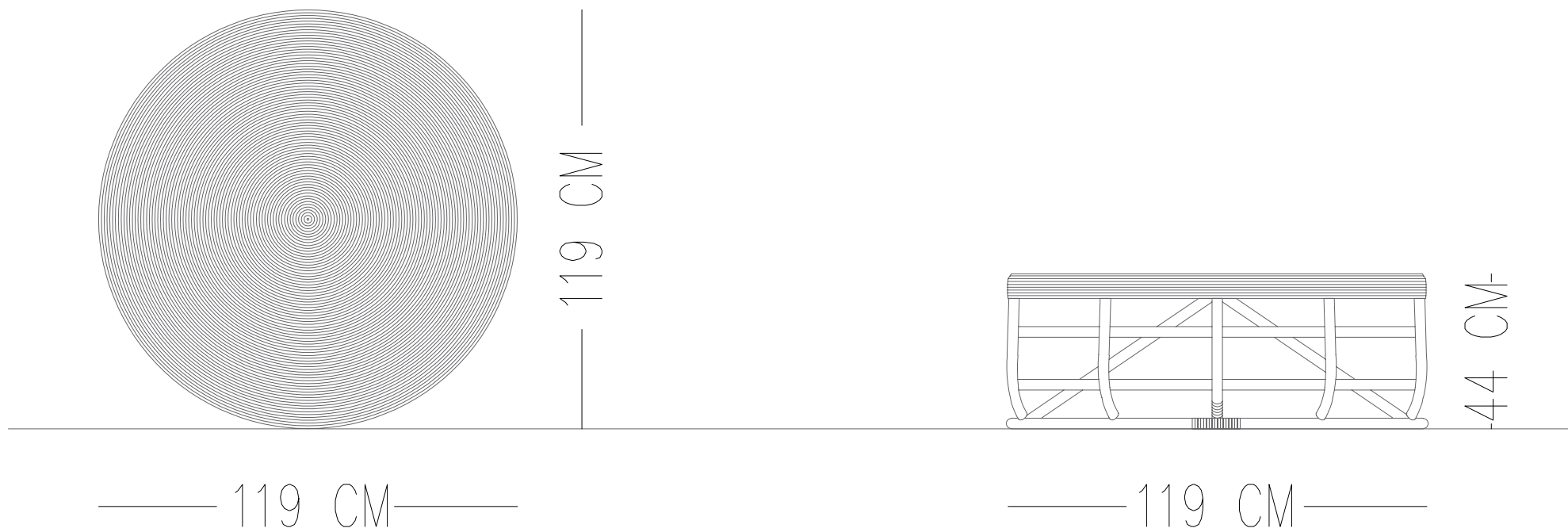
STRUCTURE

NATURAL BAMBOO WOOD COFFEE TABLE

Norde

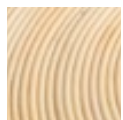
Designed by
Norde Design Studio





Catalog product

Natural bamboo



Wood



OASIS SOFA

TECHNICAL SPECIFICATIONS

STRUCTURE

POLY BAMBOO HDPE WICKER

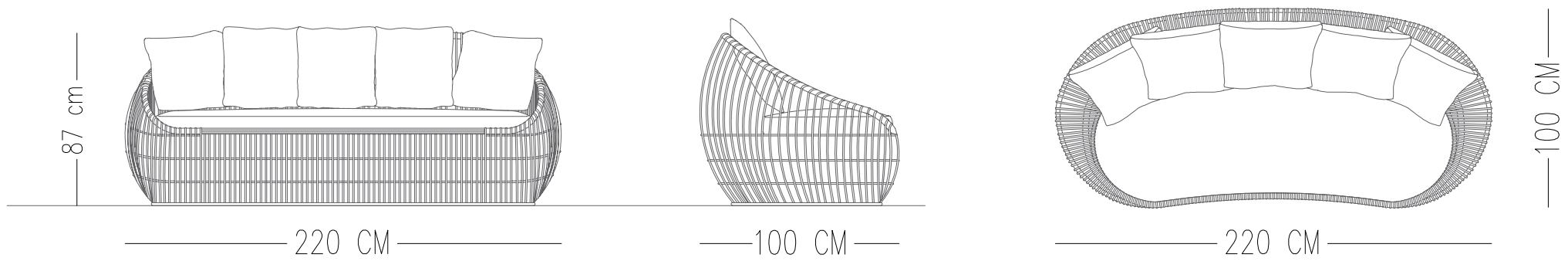
WATER RESISTANT FABRIC

7CM THICKNESS CUSHION, PIPING.

Norde

Designed by
Norde Design Studio





Catalog product



Natural bamboo
round rattan



OASIS ARMCHAIR

TECHNICAL SPECIFICATIONS

Norde

Designed by
Norde Design Studio

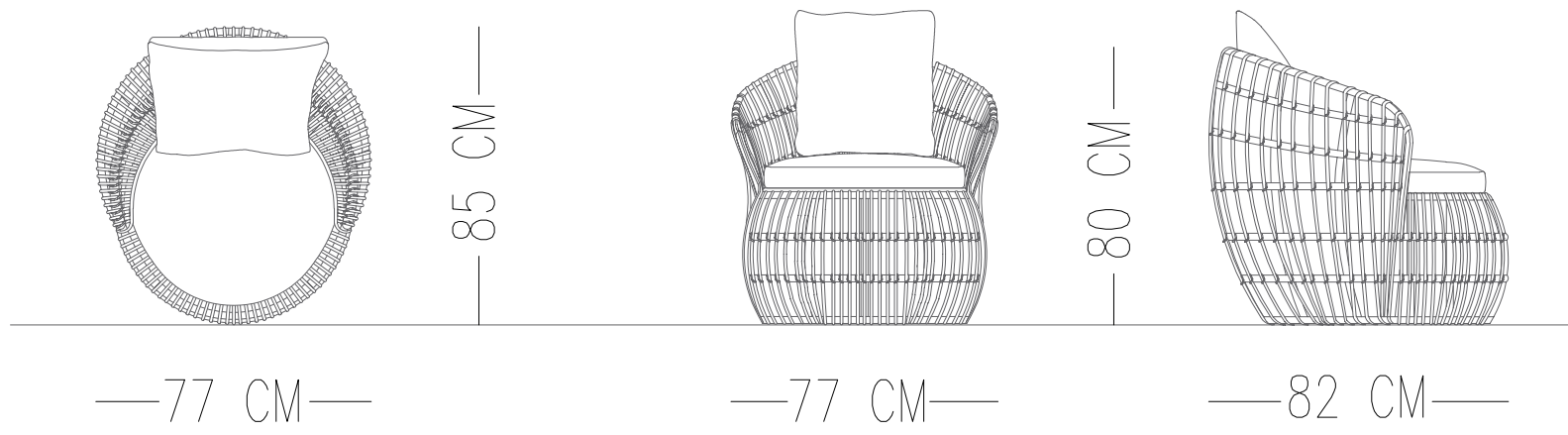
STRUCTURE

POLY BAMBOO HDPE WICKER

WATER RESISTANT FABRIC

7CM THICKNESS CUSHION, PIPING.





Catalog product



Natural bamboo
round rattan



OASIS COFFEE TABLE

Norde

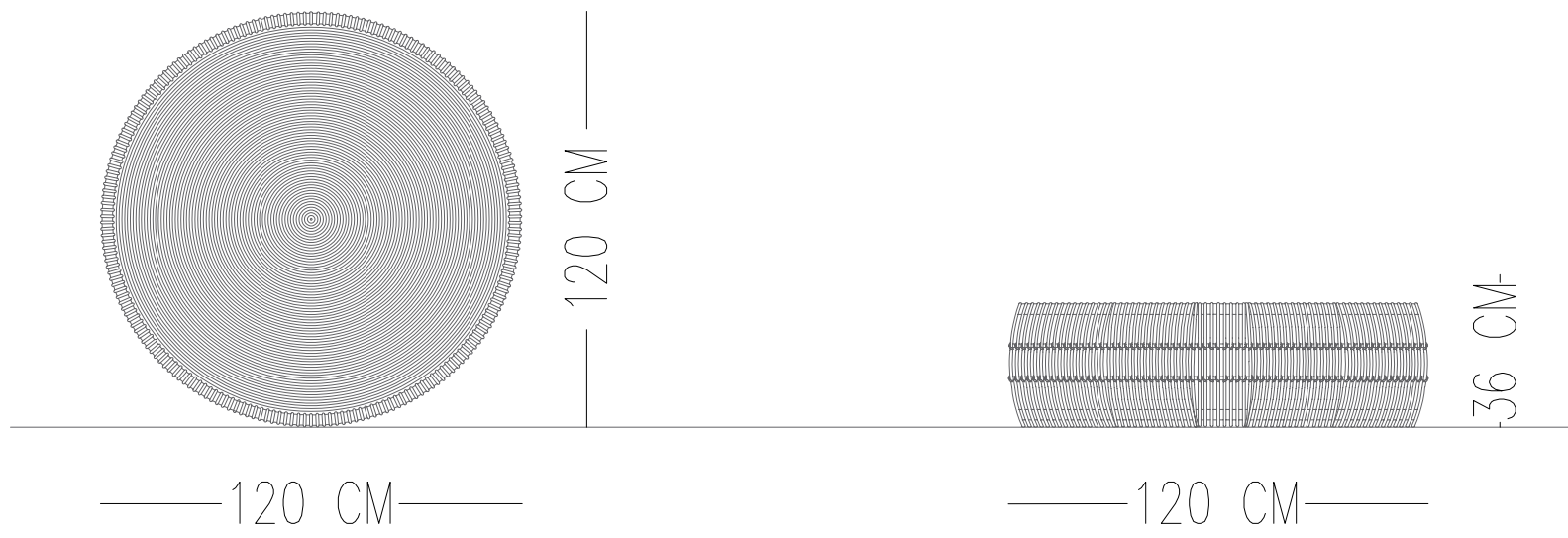
TECHNICAL SPECIFICATIONS

Designed by
Norde Design Studio

STRUCTURE

NATURAL BAMBOO WOOD COFFEE TABLE





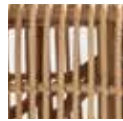
Catalog product

Natural bamboo



Wood

Natural bamboo



Round Rattan



WONDER BAR STOOL

TECHNICAL SPECIFICATIONS

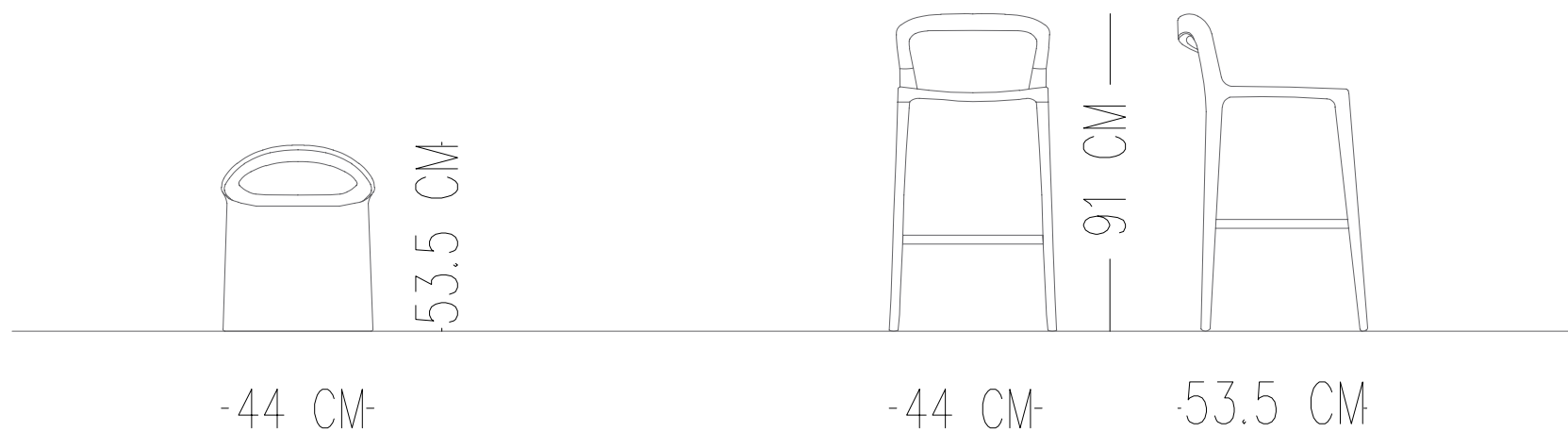
STRUCTURE

TEAK WOOD WITH NATURAL TEAK COLOR VARNISH

Norde

Designed by
Norde Design Studio





Catalog product



Teak color with natural
teak color varnish

Alternative material: Teak wood black finishes,
White patinated teak wood



PERA COUNTER CHAIR

Norde

TECHNICAL SPECIFICATIONS

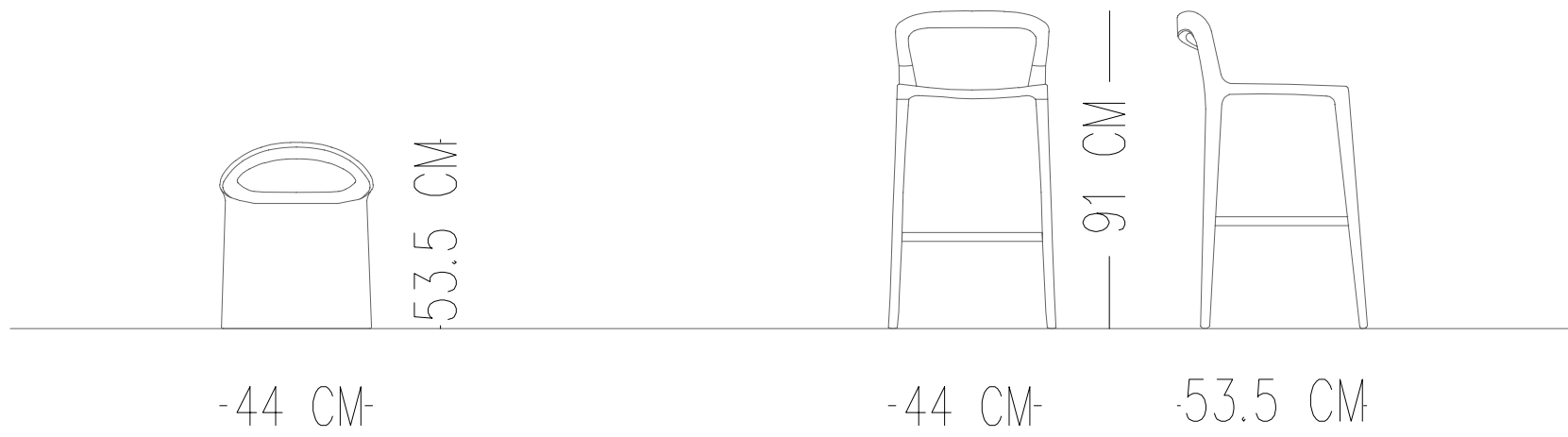
Designed by
Norde Design Studio

STRUCTURE

TEAK WOOD BLACK FINISHING

ALTERNATIVE: TEAK WOOD WHITE WASH FINISHING





Catalog product



Teak color with natural
teak color varnish

Alternative material: Teak wood black finishes,
White patinated teak wood



NANO ARMCHAIR

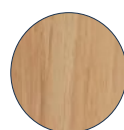
TECHNICAL SPECIFICATIONS

Norde

Designed by
Norde Design Studio

STRUCTURE

TEAK WOOD-NATURAL TEAK COLOR



Catalog product



Teak color with natural teak color

Alternative material: Teak wood black finishes,
White patinated teak wood



MUSHROOM STOOL

TECHNICAL SPECIFICATIONS

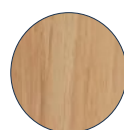
Norde

Designed by
Norde Design Studio

STRUCTURE

TEAK WOOD NATURAL TEAK COLOR

ALTERNATIVE: TEAK WOOD BLACK



Catalog product



Teak color with natural teak color

Alternative material:Teak wood black finishes,
White patinated teak wood



FLAT STOOL

TECHNICAL SPECIFICATIONS

Norde

Designed by
Norde Design Studio

STRUCTURE

TTEAK WOOD LAMINATEDNATURAL FINISHING



Catalog product



Teak color with natural teak color

Alternative material:Teak wood black finishes,
White patinated teak wood



UBE STOOL

TECHNICAL SPECIFICATIONS

Norde

Designed by
Norde Design Studio

STRUCTURE

TEAK WOOD LAMINATED BLACK FINISHING



Catalog product



Teak Wood Laminated Black
Finishing

Alternative material:Teak wood black finishes,
White patinated teak wood



ASTRA COFFEE TABLE

Norde

TECHNICAL SPECIFICATIONS

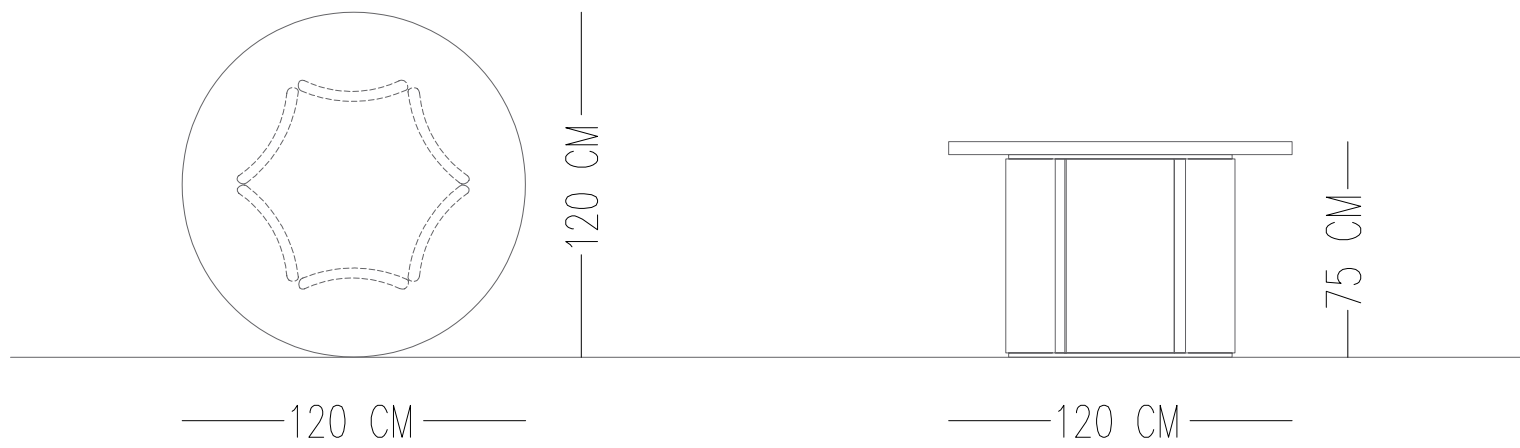
Designed by
Norde Design Studio

STRUCTURE

TOP: NATURAL STONE

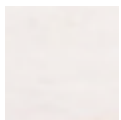
BASE: NATURAL WOOD





Catalog product

Top
Natural stone



Catalog product

Legs
Natural wood



Alternative material
Legs are natural wood painted black



ASTRA ROUND TABLE

TECHNICAL SPECIFICATIONS

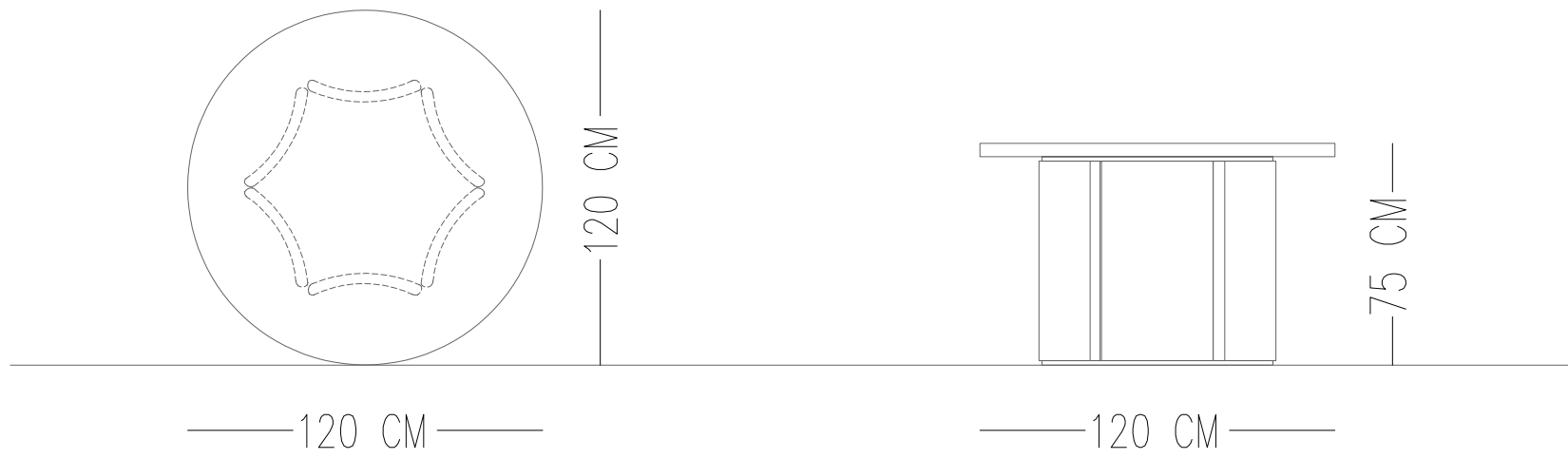
STRUCTURE

TOP: NATURAL STONE
BASE: NATURAL WOOD

Norde

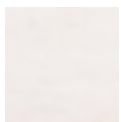
Designed by
Norde Design Studio





Catalog product

Top
Natural stone



Catalog product

Legs
Natural wood



Material Catalogue



Alternative material
Legs are natural wood painted black



OTTOMAN COFFEE TABLE

Norde

TECHNICAL SPECIFICATIONS

Designed by
Norde Design Studio

STRUCTURE

WOOD BLACK COLOR

ALTERNATIVE: WHITE WASH FINISHING



Catalog product



Wood Black Color

Alternative material:Teak wood black finishes,
White patinated teak wood



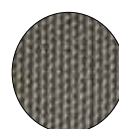
BENAY OUTDOOR

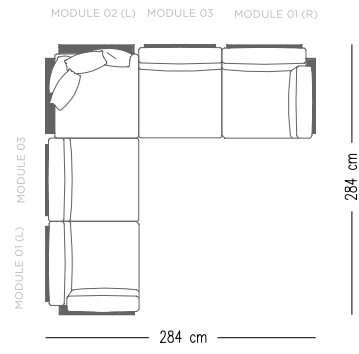
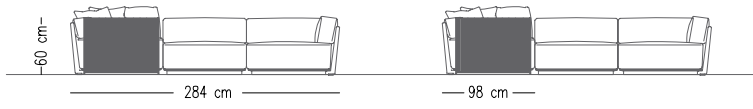
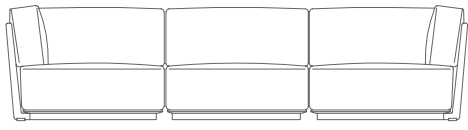
TECHNICAL SPECIFICATIONS

Norde

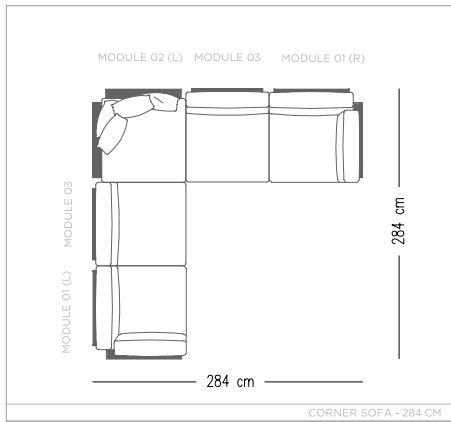
Designed by
Nur Benay Baker

INTERIOR STRUCTURE	PLYWOOD STRUCTURE BEECHWOOD & OUTDOOR PAINTED METAL
SEAT CUSHION	35 DNS FOAM & OUTDOOR FIBER
BACK	35 DNS FOAM & OUTDOOR FIBER
UPHOLSTERY	TIGHT
MAINTENANCE	We recommend shaking and fluffing-up the cushions regularly to maintain the shape. This should be done after removing the cushions from the structure for improved air circulation. For maintenance of fabric and leather, please contact your retailer.

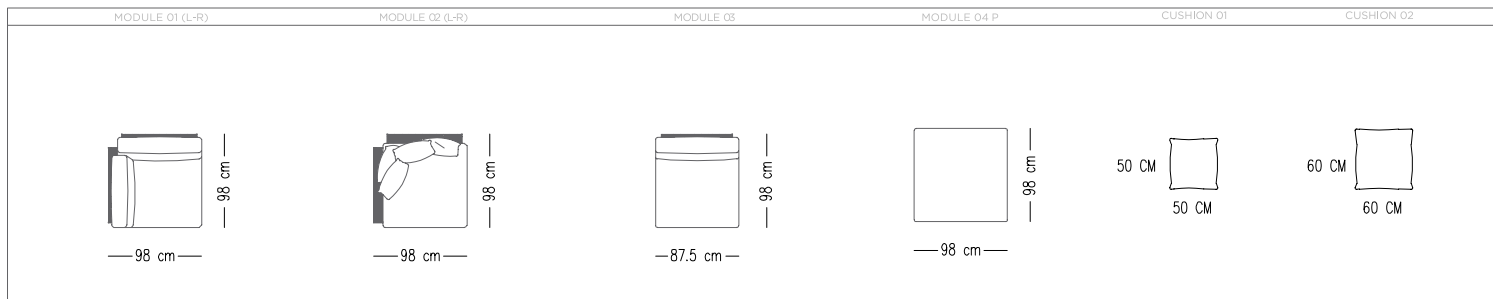




STANDARDS



MODULES



Catalog product

Catalog product-Fabric
N-C16/Linen



337

Catalog product
Aluminium profile



DROP SOFA 2

TECHNICAL SPECIFICATIONS

Norde

Designed by
Norde Design Studio

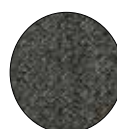
INTERIOR STRUCTURE IROKO WOOD & 35 DNS FOAM WITH ZIGZAG BOW

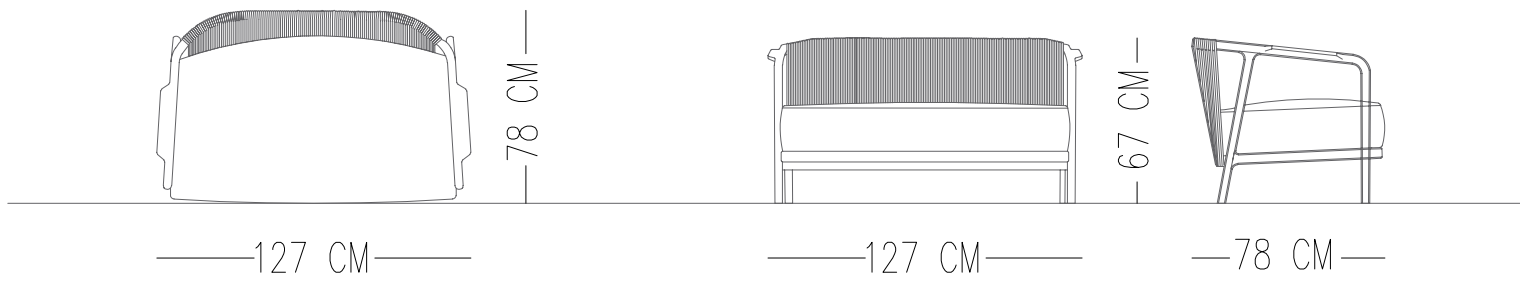
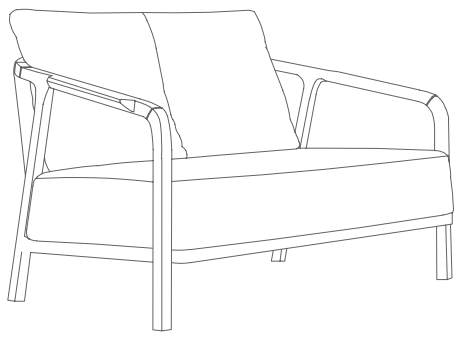
SEAT CUSHION 35 DNS FOAM

BACK FIBER

UPHOLSTERY TIGHT

MAINTENANCE We recommend shaking and fluffing-up the cushions regularly to maintain the shape. This should be done after removing the cushions from the structure for improved air circulation. For maintenance of fabric and leather, please contact your retailer.





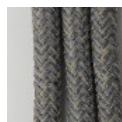
Catalog product

Catalog product-Fabric
Linen-NB40



Laci-01

Light Grey
Outdoor Rope



Catalog product
Iroko hardwood with
natural polish



FEAR OUTDOOR

Norde

TECHNICAL SPECIFICATIONS

Designed by
Norde Design Studio

INTERIOR STRUCTURE BEECHWOOD

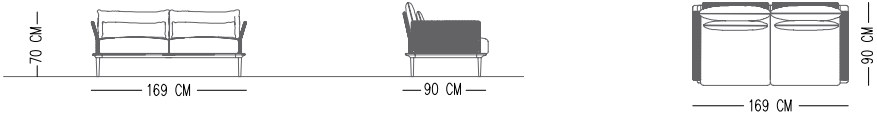
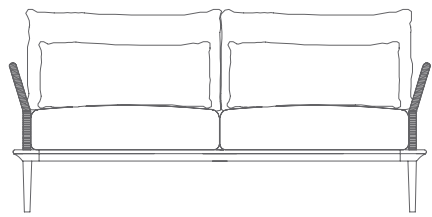
SEAT CUSHION 35 DNS FOAM AND FIBER

BACK FIBER

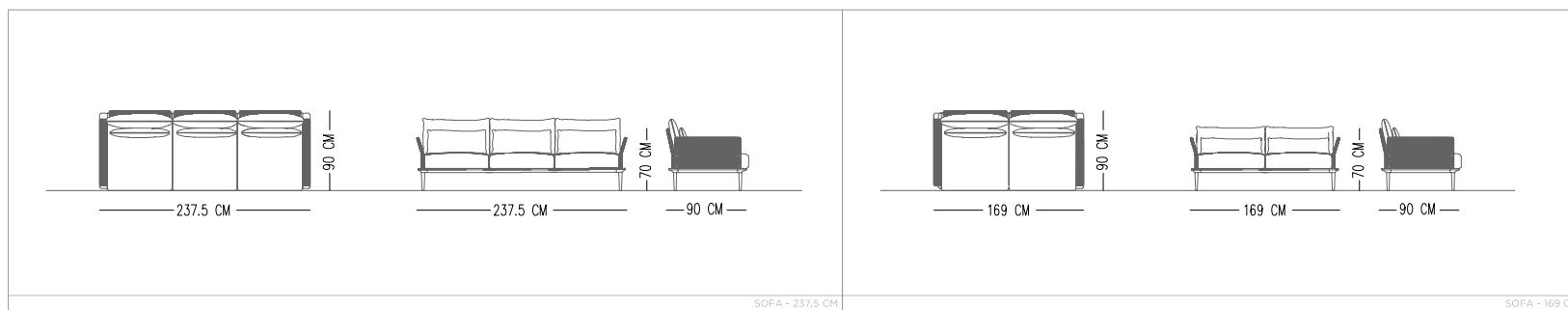
UPHOLSTERY TIGHT

MAINTENANCE We recommend shaking and fluffing-up the cushions regularly to maintain the shape. This should be done after removing the cushions from the structure for improved air circulation. For maintenance of fabric and leather, please contact your retailer.

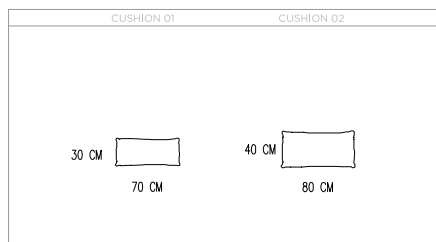




STANDARDS



MODULES



Catalog product

Catalog product-Fabric
N-C16/Linen

Leg
Aluminium



168



FEAR OUTDOOR

TECHNICAL SPECIFICATIONS

Norde

Designed by
Norde Design Studio

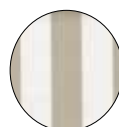
INTERIOR STRUCTURE BEECHWOOD

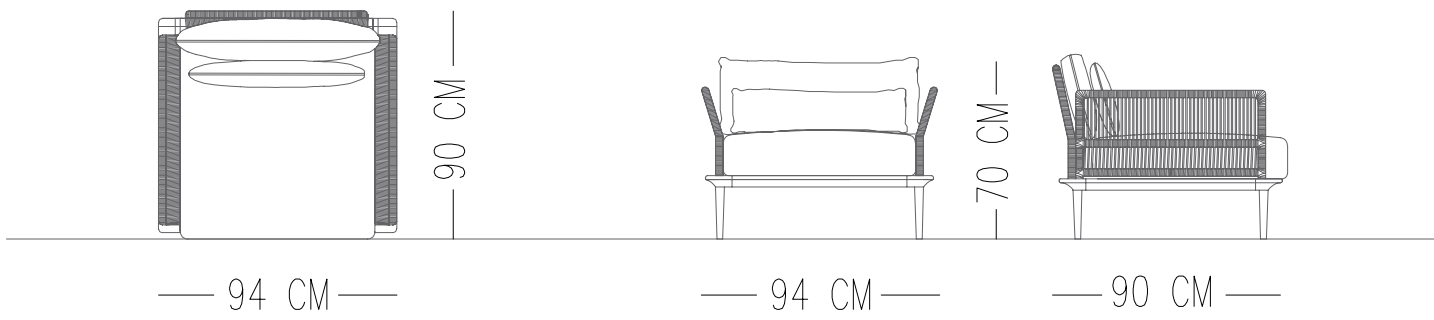
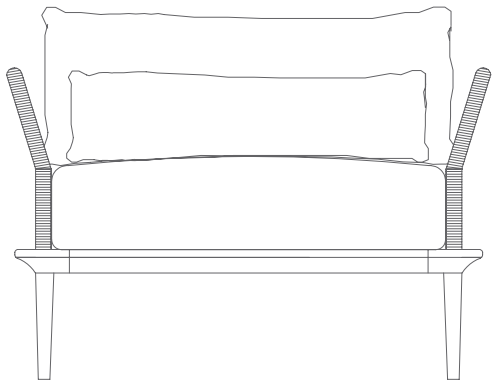
SEAT CUSHION GOOSE DOWN AND SILICON MIX

BACK BACK CUSHION 100% DOWN/FEATHERS

UPHOLSTERY TIGHT

MAINTENANCE We recommend shaking and fluffing-up the cushions regularly to maintain the shape. This should be done after removing the cushions from the structure for improved air circulation. For maintenance of fabric and leather, please contact your retailer.





Catalog product

Catalog product-Fabric
N-C16/Linen

Leg
Aluminium



168

*The designs and colors depicted in this catalogue are intended solely to provide an idea.
NORDE reserves the right to modify the appearance and features of its products. NORDE shall
not be held responsible for any errors that may result from printing mistakes.*

Norde
www.norde.com.tr

Norde Mobilya Fabrika
Alemdağ, Atabey Cd. No:20 D:1A, 34794
Çekmeköy/İstanbul T. +90 216 611 52 42